

**MATERIAL OPTIONS****452F TOGETHER FIXED TABLE**

Joining the family of Seating for Eating, is Together table, available as a fixed or extendable table. The table sits comfortably with Seating for Eating or independently holds its own. Rounded ends act as drop leaves on the extending version, creating a rectangular table when locked underneath. The rounded ends invite people to move up and get snug. A table to eat, drink, work or play. Furniture that you can sit on together, but that still leaves room for the individual.

**SIZE****452FS fixed small**

W200 × D75 × H72.5 cm

W78 3/4 × D29 1/2 × H28 1/2 "

**452FM fixed medium**

W230 × D75 × H72.5 cm

W90 4/7 × D29 1/2 × H28 1/2 "

**452FL fixed large**

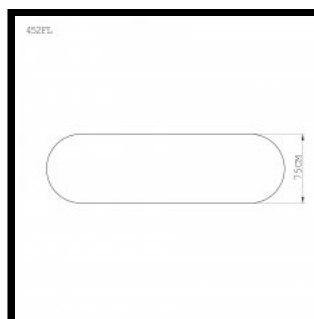
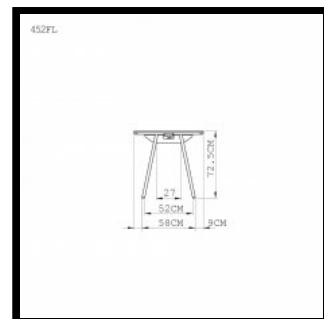
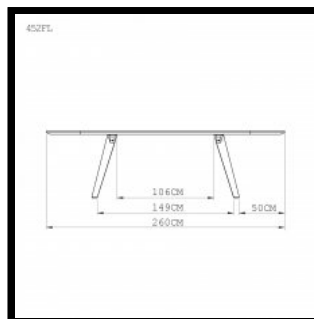
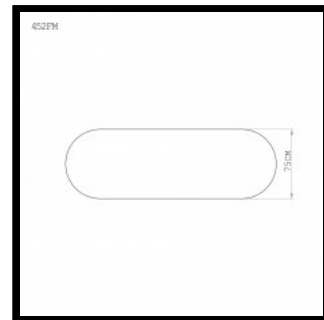
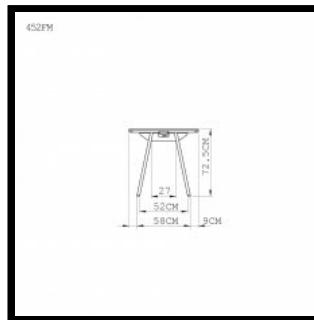
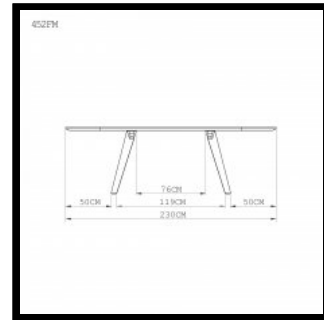
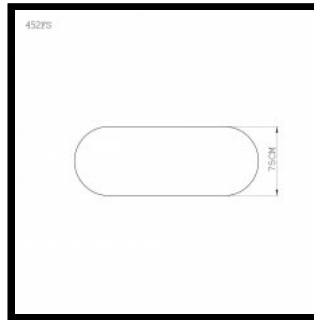
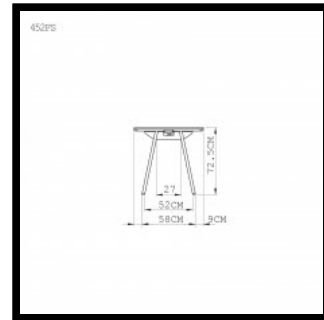
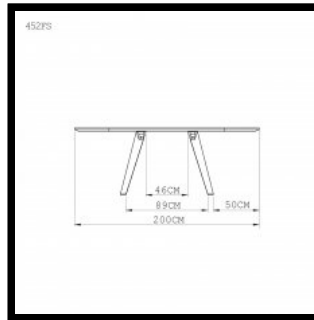
W260 × D75 × H72.5 cm

W102 3/8 × D29 1/2 × H28 1/2 "

**SPECIFICATION**

Available in American black walnut, American white oak, or European Ash in a range of finishes. Copper feet. Click on 'Materials' in the left hand menu for further information.

Assembly: Together Table



0  
1  
S  
T  
U  
D  
I  
O  
I  
L  
S  
E

**452F TOGETHER FIXED TABLE**

452FS fixed small  
W200 × D75 × H72.5 cm  
W78 3/4 × D29 1/2 × H28 1/2 "

452FM fixed medium



W230 × D75 × H72.5 cm  
W90 4/7 × D29 1/2 × H28 1/2 "

452FL fixed large  
W260 × D75 × H72.5 cm  
W102 3/8 × D29 1/2 × H28 1/2 "