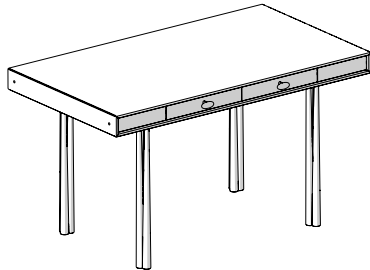


ASSEMBLY INSTRUCTIONS

060 ELLIOT DESK/DRESSING TABLE BY JASON MILLER



PARTS

1x Desktop
2x Leg frames

HARDWARE

(10x) M6x50 Caphead Screws (10x) M6 Washers



YOU WILL NEED

-5mm Allen Key
-The help of a friend

NOTES

NOTE 1: Be certain that all assembly is carried out on a flat and stable surface. This will ensure a good final result. Reverse the steps to disassemble the piece.

NOTE 2: Your furniture arrives packed in numerous layers that protect it during transport. It is important that you remove the packaging carefully to avoid damaging your furniture. Refer to our information sheet "Unpacking Your Furniture" for further details.

NOTE 3: Great care is required when assembling our products. Use blankets to soften the assembly surface - hard surfaces such as wood or stone flooring may damage the furniture if in direct contact.

NOTE 4: We advise that assembly and disassembly of De La Espada furniture is undertaken by a minimum of 2 people.

NOTE 5: When screwing in bolts, tighten well, but be sure NOT TO OVERTIGHTEN. This can cause the thread to strip thus resulting in a poor connection.

NOTE 6: While you work, be sure all connections are flush with no gaps.

NOTE 7: After assembly, ensure that the table is resting on a level surface.

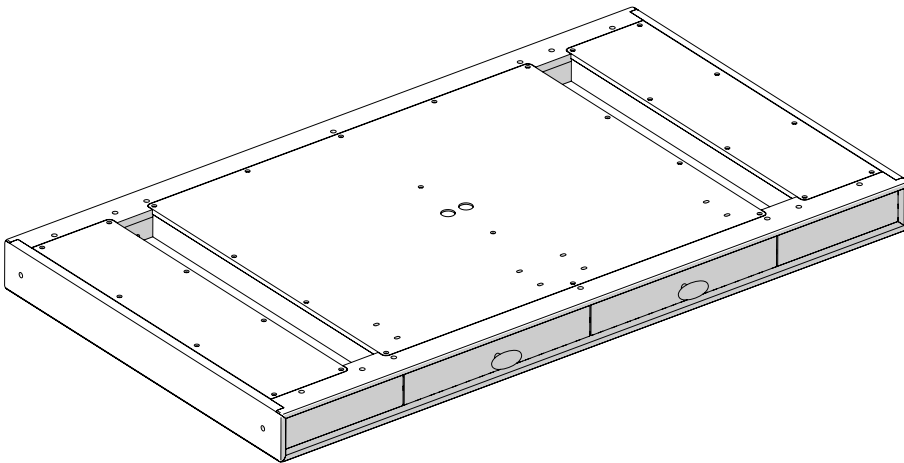
O
1
J
A
S
O
N
M
I
L
L
E
R

ASSEMBLY INSTRUCTIONS CONTINUED
060 ELLIOT DESK/DRESSING TABLE

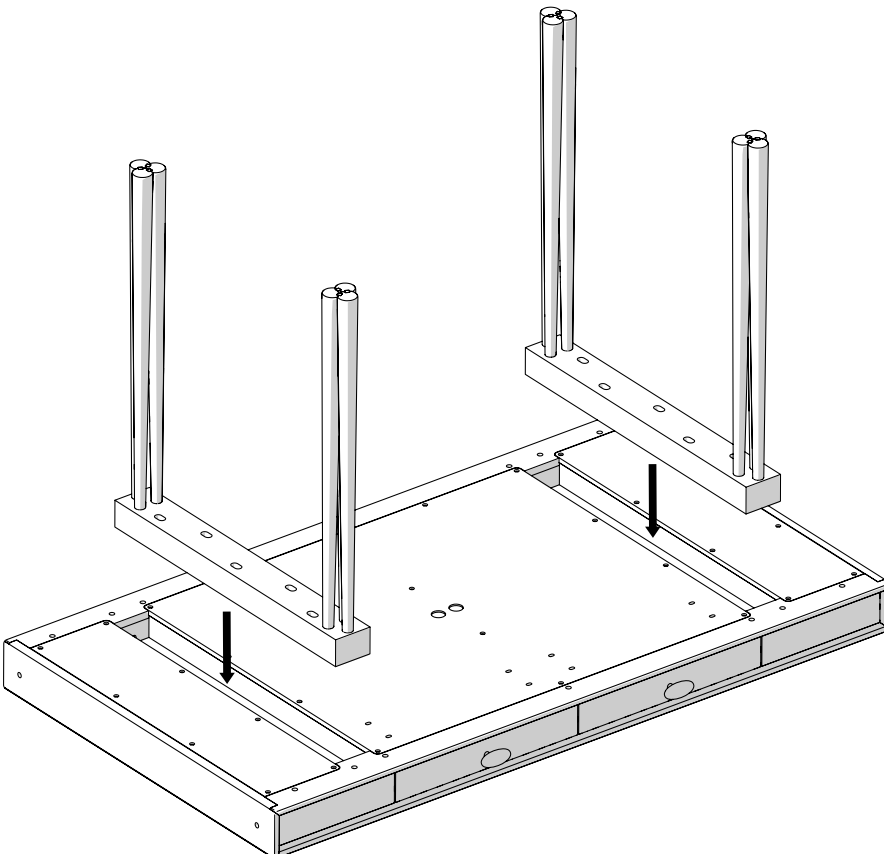
INSTRUCTIONS

1) ATTACH LEG FRAMES TO DESKTOP

a) Place the desktop upside down on a softened surface on the floor.



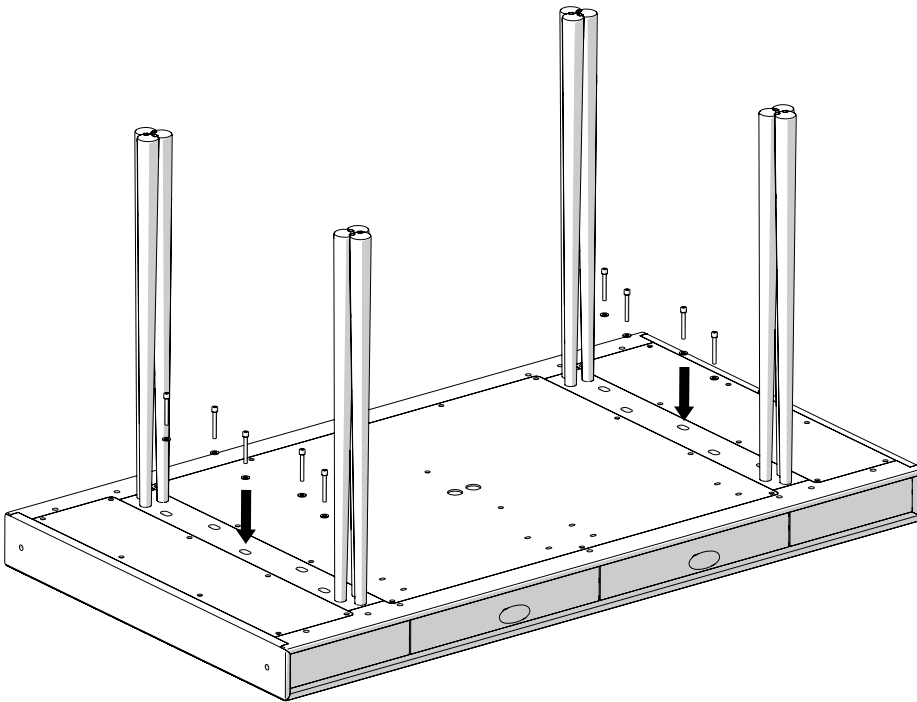
b) Turn each leg frame upside down and place them into the re-bates in the underside of the desktop, following the number markings and aligning the pre-drilled holes.



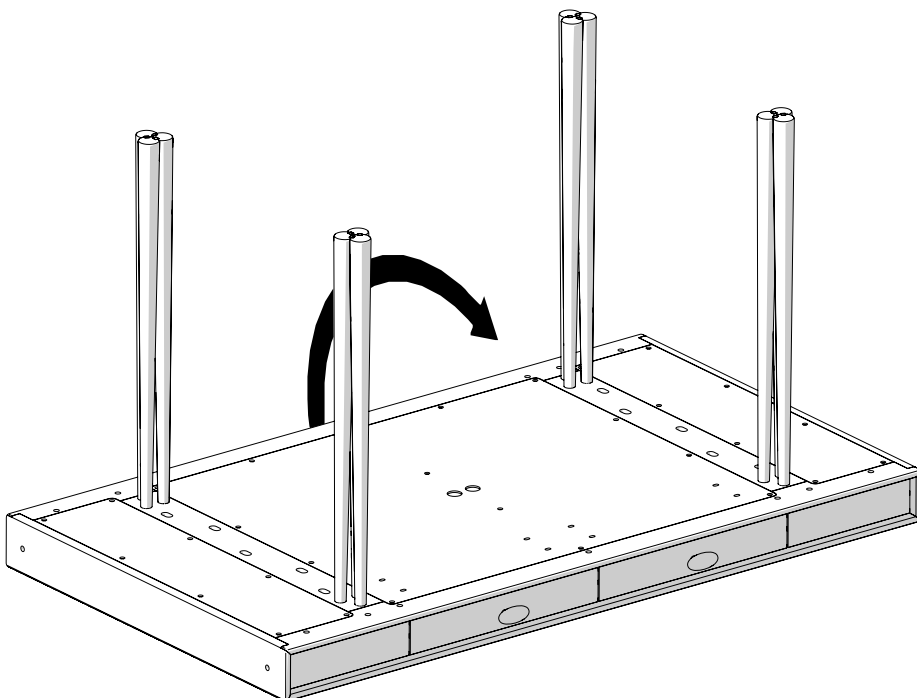
0
2
J
A
S
O
N
M
I
L
L
E
R

ASSEMBLY INSTRUCTIONS CONTINUED
060 ELLIOT DESK/DRESSING TABLE

c) Insert an M6x50 Caphead Screw with washer into each of the pre-drilled holes where the leg frames meet the desktop and tighten firmly with an Allen Key.



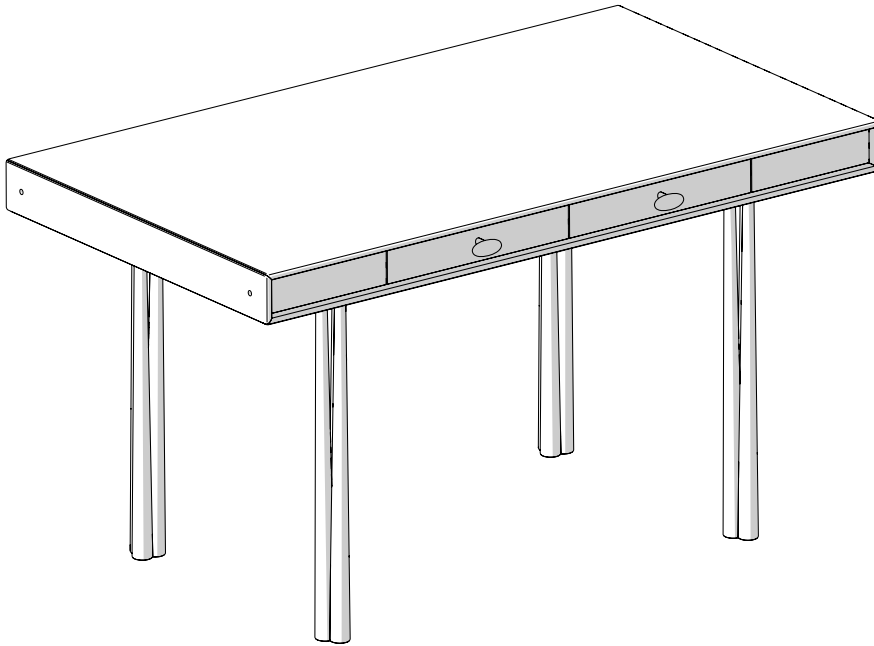
2) FLIP THE DESK/DRESSING TABLE INTO AN UPRIGHT POSITION
a) With the help of a friend, flip the desk/dressing table over into its natural upright position, being careful not to place pressure on the legs while turning.



0
3
J
A
S
O
N
M
I
L
L
E
R

ASSEMBLY INSTRUCTIONS CONTINUED
060 ELLIOT DESK/DRESSING TABLE

b) Assembly is now complete and the desk/dressing table is ready for use.



0
4
J
A
S
O
N
M
I
L
L
E
R