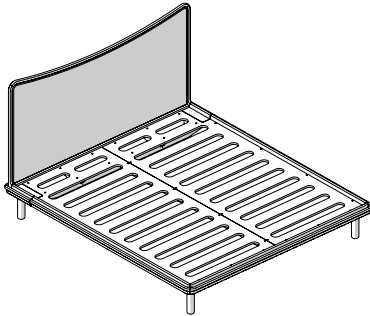


**ASSEMBLY INSTRUCTIONS**

CARLTON BED BY JASON MILLER



PARTS

- 1x headboard
- 1x footboard
- 2x side beams
- 1x central beam
- 2x platforms

HARDWARE

(4x) Universal connectors



(4x) Metal dowels



(37x) M6x25 countersunk screws



(1x) M6x45 countersunk screw



YOU WILL NEED

- 6mm Allen Key
- 4mm Allen Key
- The help of two friends

NOTES

NOTE 1: Be certain that all assembly is carried out on a flat and stable surface. This will ensure a good final result. Reverse the steps to disassemble the piece.

NOTE 2: Your furniture arrives packed in numerous layers that protect it during transport. It is important that you remove the packaging carefully to avoid damaging your furniture. Refer to our information sheet "Unpacking Your Furniture" for further details.

NOTE 3: Great care is required when assembling our products. Use blankets to soften the assembly surface - hard surfaces such as wood or stone flooring may damage the furniture if in direct contact.

NOTE 4: We advise that assembly and disassembly is undertaken by a minimum of 2 people.

NOTE 5: When screwing in bolts, tighten well, but be sure NOT TO OVERTIGHTEN. This can cause the thread to strip thus resulting in a poor connection.

NOTE 6: All mating parts are numbered so they correspond to

O  
1  
J  
A  
S  
O  
N  
M  
I  
L  
L  
E  
R

**ASSEMBLY INSTRUCTIONS CONTINUED**

CARLTON BED

the appropriate part around the frame of the bed. You will ensure the best possible fit if all parts are mated with the corresponding numbered parts. While you work, be sure all connections are flush with no gaps.

0  
2

INSTRUCTIONS

1) ATTACH SIDE BEAMS TO FOOTBOARD

a) Unpack components and set them out so they are in the correct orientation. Check for number markings.

J  
A  
S

b) Insert the Universal Connectors into the footboard and the metal dowels into the corresponding ends of the side beams, then push the parts together while guiding the dowels into the Universal Connectors. Tighten with an Allen Key.

O  
N

M

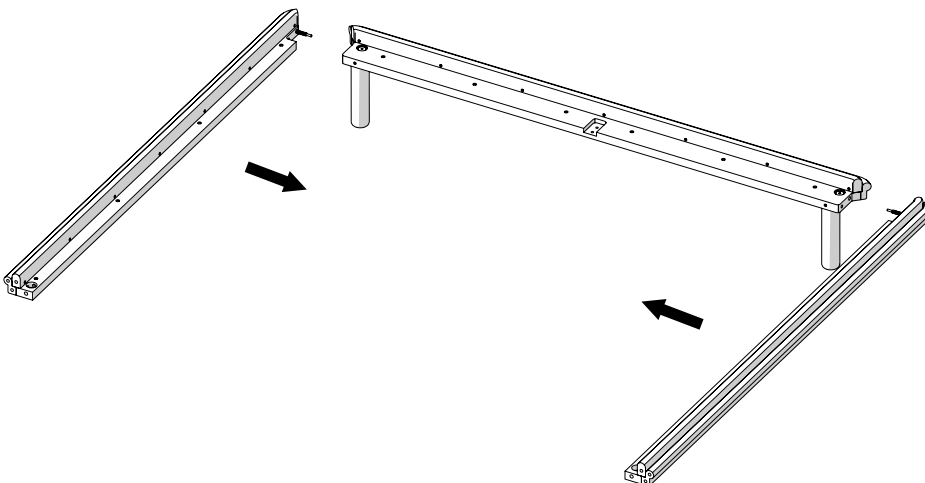
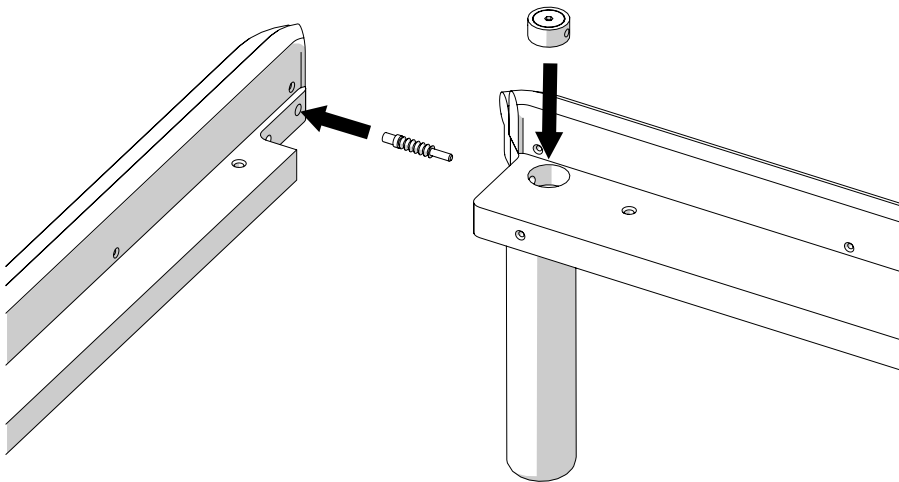
I

L

L

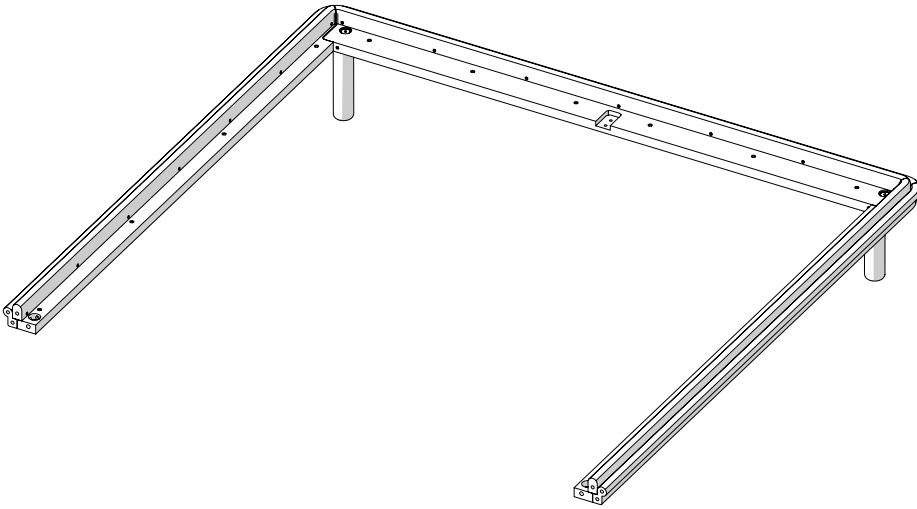
E

R



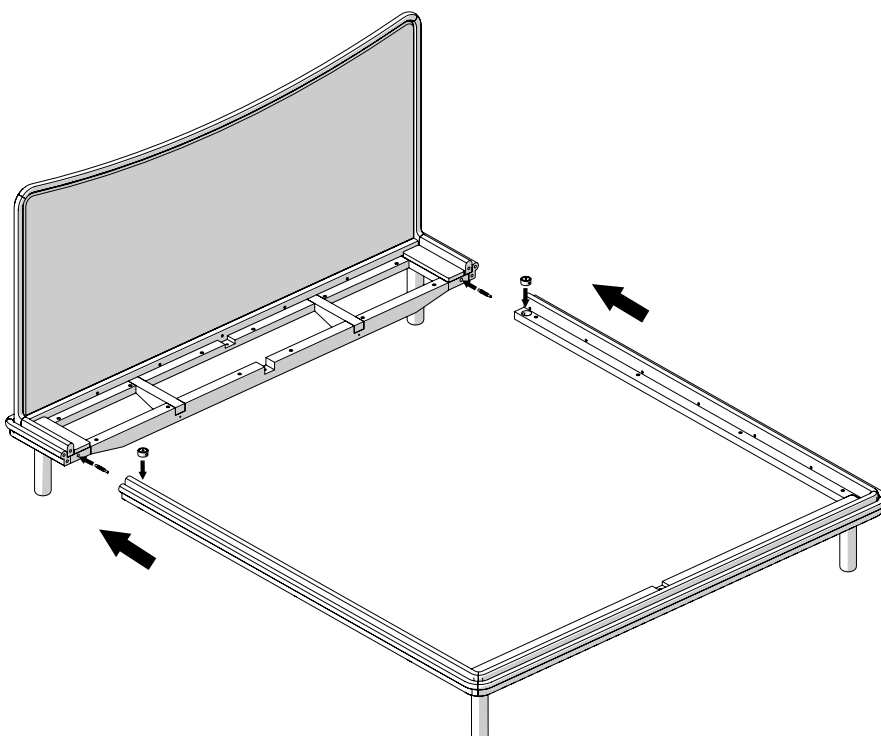
**ASSEMBLY INSTRUCTIONS CONTINUED**  
**CARLTON BED**

c) The assembly should look like this.



**2) ATTACH SIDE BEAMS TO HEADBOARD**

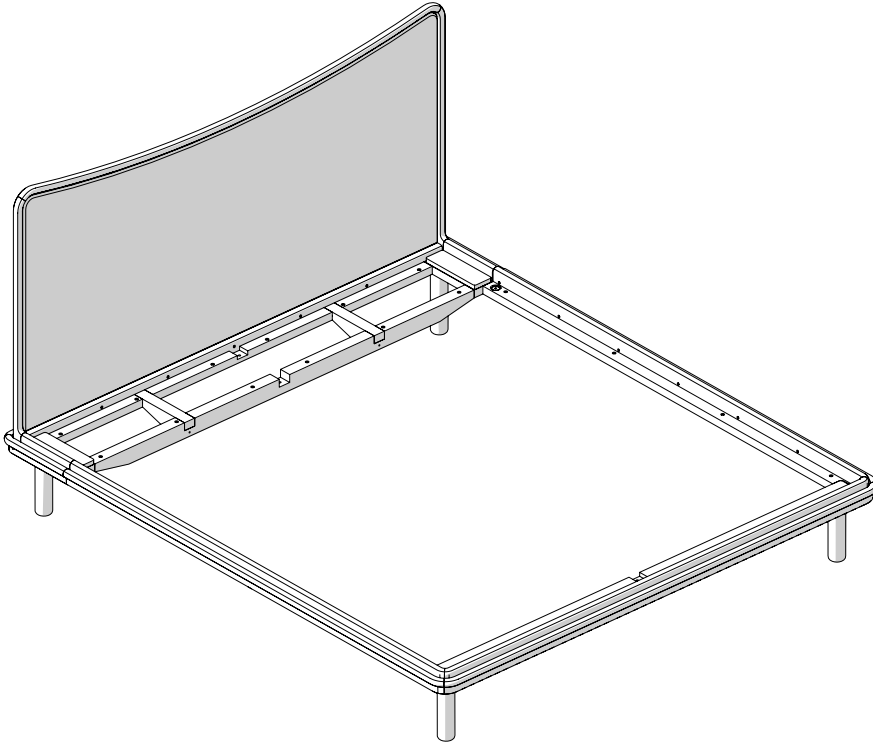
a) Insert the Universal Connectors into the side beams and the metal dowels into the headboard, then push the parts together while guiding the dowels into the Universal Connectors. Tighten with an Allen Key.



0  
3  
J  
A  
S  
O  
N  
M  
I  
L  
L  
E  
R

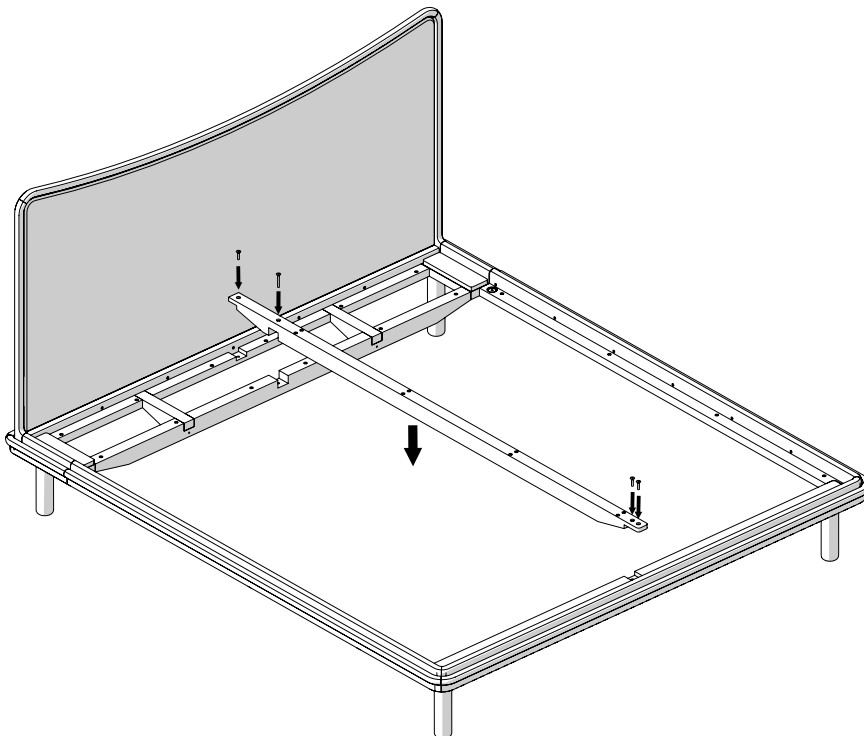
**ASSEMBLY INSTRUCTIONS CONTINUED**  
**CARLTON BED**

b) The assembly should look like this.



**3) ATTACH CENTRAL BEAM**

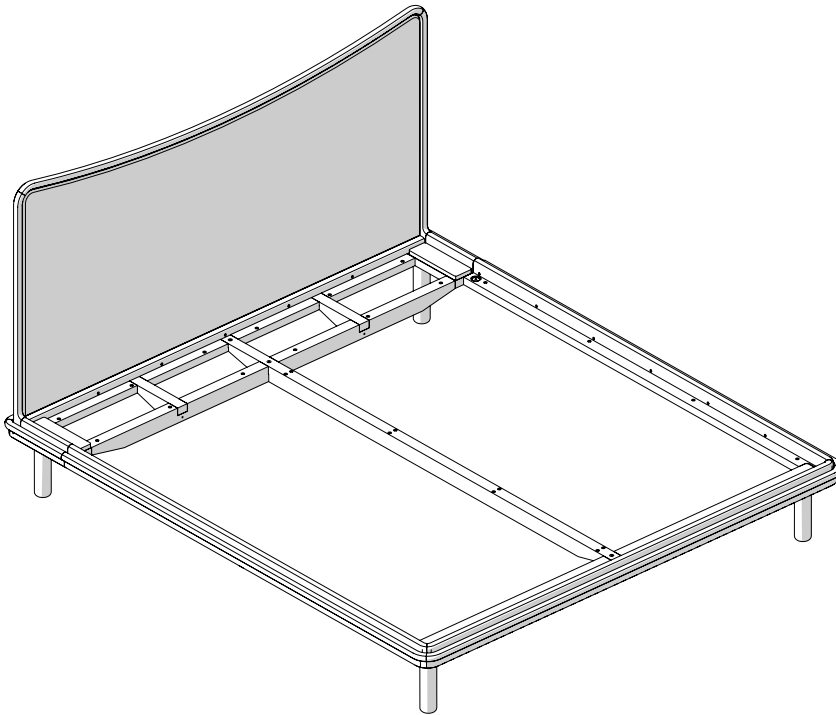
a) Lower the central beam onto the assembly, aligning the rebates and pre-drilled holes. Insert an M6x25 countersunk screw into each of the three pre-drilled holes closest to the ends of the cross beam, and one M6x45 countersunk screw into the second hole from the headboard end. Tighten with an Allen Key.



O  
4  
J  
A  
S  
O  
N  
M  
I  
L  
L  
E  
R

**ASSEMBLY INSTRUCTIONS CONTINUED**  
**CARLTON BED**

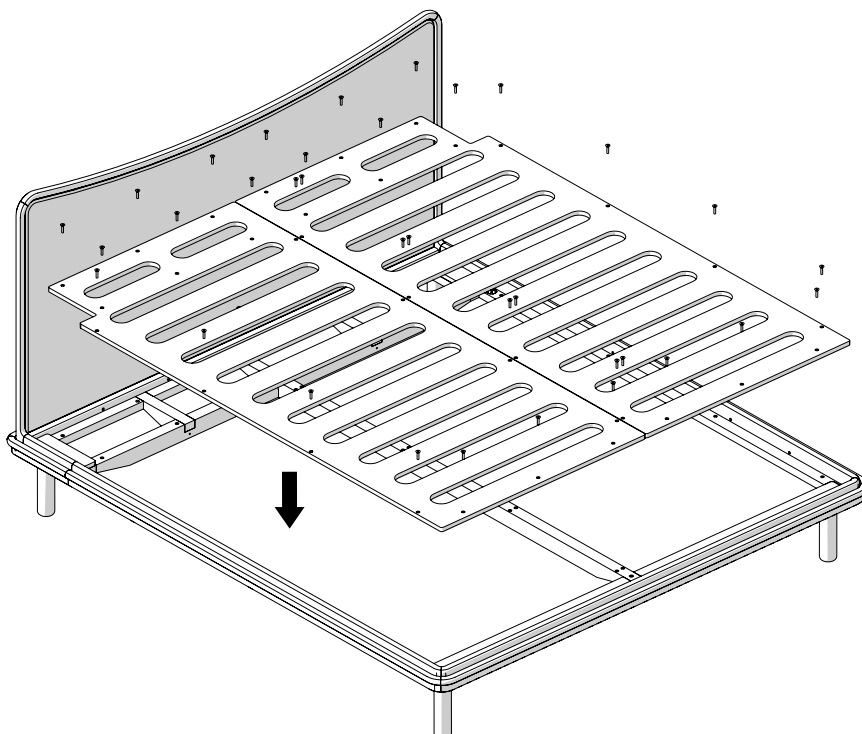
b) The assembly should look like this.



**4) ATTACH THE PLATFORM PANELS TO THE PLATFORM BASE**

a) Place the platform panels into position on the platform base, aligning the pre-drilled holes.

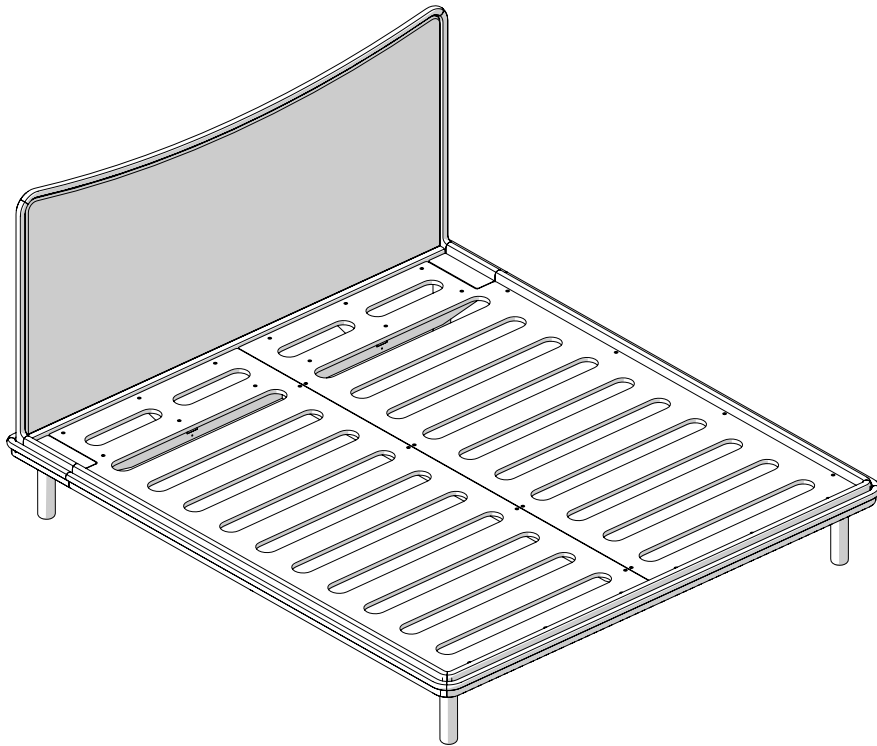
b) Insert an M6x25 countersunk screw into each pre-drilled hole where the parts meet, and tighten firmly with an Allen Key.



0  
5  
J  
A  
S  
O  
N  
M  
I  
L  
L  
E  
R

**ASSEMBLY INSTRUCTIONS CONTINUED**  
**CARLTON BED**

c) Assembly is now complete and the bed is ready to receive a mattress.



0  
6  
J  
A  
S  
O  
N  
M  
I  
L  
L  
E  
R