

**ASSEMBLY INSTRUCTIONS**

SOLO ROUND TABLE BY NERI&HU



PARTS

1x Tabletop  
1x Leg frame

HARDWARE

(3x) M8x20 countersunk screws



YOU WILL NEED

-5mm Allen Key  
-The help of a friend

NOTES

NOTE 1: Be certain that all assembly is carried out on a flat and stable surface. This will ensure a good final result. Reverse the steps to disassemble the piece.

NOTE 2: Your furniture arrives packed in numerous layers that protect it during transport. It is important that you remove the packaging carefully to avoid damaging your furniture. Refer to our information sheet "Unpacking Your Furniture" for further details.

NOTE 3: Great care is required when assembling our products. Use blankets to soften the assembly surface - hard surfaces such as wood or stone flooring may damage the furniture if in direct contact.

NOTE 4: We advise that assembly and disassembly of De La Espada furniture is undertaken by a minimum of 2 people.

NOTE 5: When screwing in bolts, tighten well, but be sure NOT TO OVERTIGHTEN. This can cause the thread to strip thus resulting in a poor connection.

NOTE 6: While you work, be sure all connections are flush with no gaps.

NOTE 7: After assembly, ensure that the table is resting on a level surface.

O  
1  
N  
E  
R  
I  
&  
H  
U

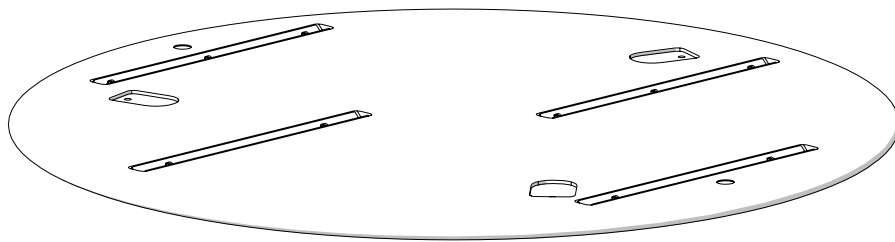
**ASSEMBLY INSTRUCTIONS CONTINUED**

SOLO ROUND TABLE

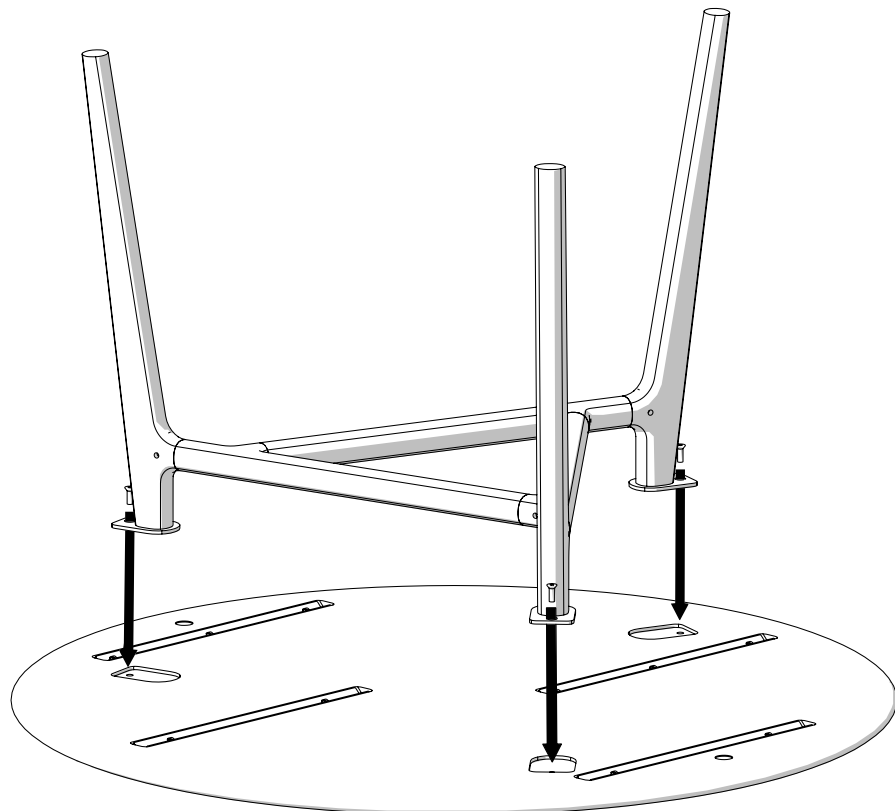
INSTRUCTIONS

1) ATTACH LEG FRAME TO THE TABLETOP

a) Place the tabletop face down onto a softened surface on the floor.



b) Place the leg frame upside down onto the underside of the tabletop, matching the numbers on the leg frame with the number markings on the tabletop. Insert an M8x20 countersunk screw into each of the three connection points, and tighten firmly with an Allen key.



0

2

N

E

R

I

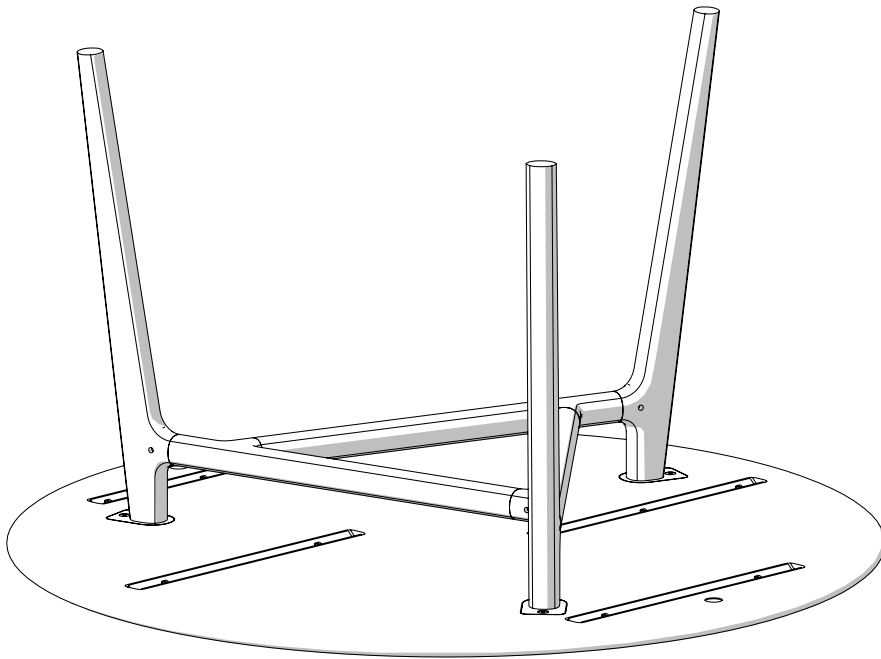
&

H

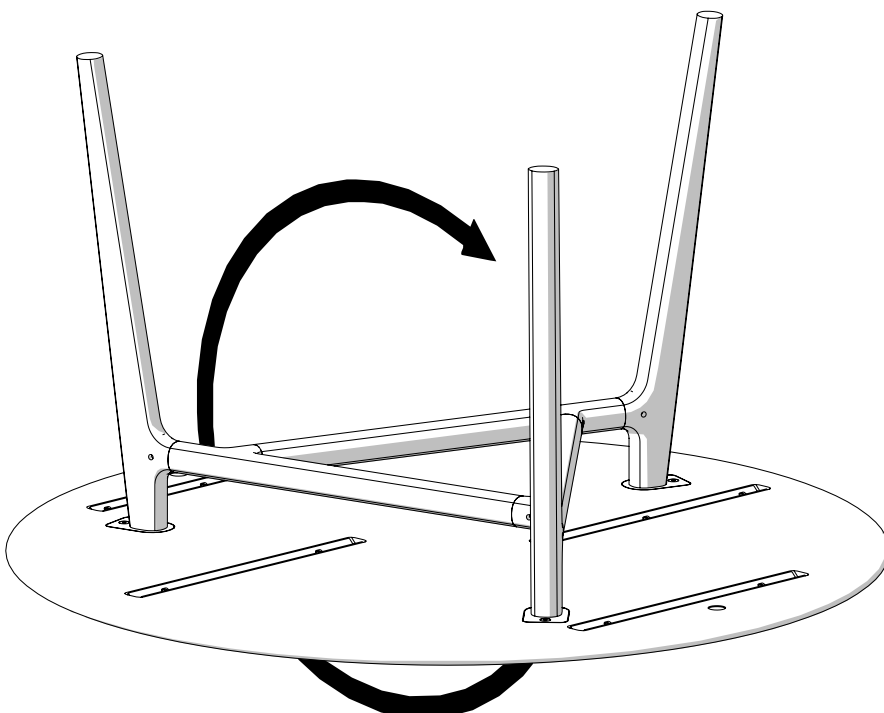
U

**ASSEMBLY INSTRUCTIONS CONTINUED**  
SOLO ROUND TABLE

c) The assembly should now look like this.



d) With the help of a friend, flip the table over into its natural upright position, being careful not to place pressure on the legs while turning.



0  
3  
N  
E  
R  
I  
&  
H  
U

**ASSEMBLY INSTRUCTIONS CONTINUED**

SOLO ROUND TABLE

e) Assembly is now complete and the table is ready for use.



0  
4  
N  
E  
R  
I  
&  
H  
C