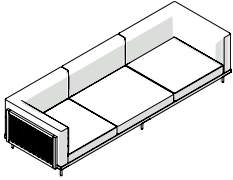


ASSEMBLY INSTRUCTIONS

BELLE REEVE SOFA BY LUCA NICETTO



NOTE: Belle Reeve is a sofa system with numerous possible configurations and options. These instructions provide guidance on assembling all possible parts to assist you in assembling your unique configuration.

PARTS

Parts and quantities vary according to configuration, and may include:

- Panels - lattice or upholstered
- Metal legs
- Sofa bases
- Upholstered seat pads
- Upholstered backrests (corner or flat)
- Flat armrests
- Marble tables
- Scatter cushions

HARDWARE

Hardware type and quantity varies according to configuration and may include the following. Refer to instructions to see where each is used.

- M6x16 Button Cap Screws
- M6x25 Countersunk Screws
- M6x45 Countersunk Screws
- Metal Connection Plates

YOU WILL NEED

- 5mm heavy duty Allen Key
- 6mm heavy duty Allen Key
- The help of one or two friends, depending on size of sofa

NOTES

NOTE 1: Be certain that all assembly is carried out on a flat and stable surface. This will ensure a good final result. Reverse the steps to disassemble the piece.

NOTE 2: Your furniture arrives packed in numerous layers that protect it during transport. It is important that you remove the packaging carefully to avoid damaging your furniture. Refer to our information sheet "Unpacking Your Furniture" for further details.

NOTE 3: Great care is required when assembling our products as they can mark very easily if banged or dropped. Use blankets to soften the assembly surface - hard surfaces such as wood or stone flooring may damage the furniture if in direct contact.

NOTE 4: We advise that assembly and disassembly of De La Espada furniture is undertaken by a minimum of 2 people.

NOTE 5: When screwing in bolts, tighten well, but be sure NOT TO OVERTIGHTEN. This can cause the thread to strip thus resulting in a poor connection.

O
1
L
U
C
A
N
I
C
H
E
T
T
O

ASSEMBLY INSTRUCTIONS CONTINUED

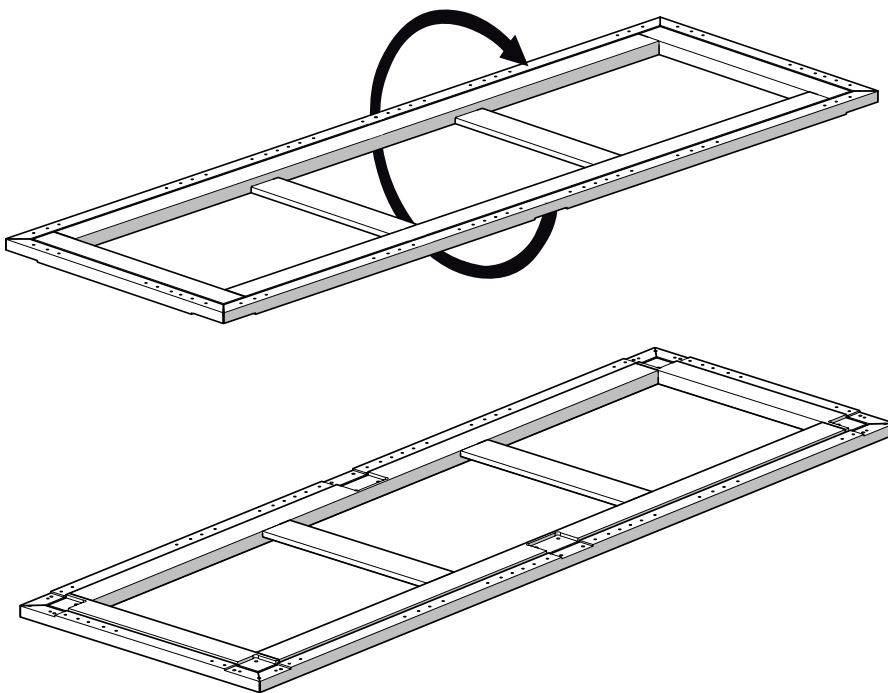
BELLE REEVE SOFA: METAL LEGS

NOTE 6: While you work, be sure all connections are flush with no gaps.

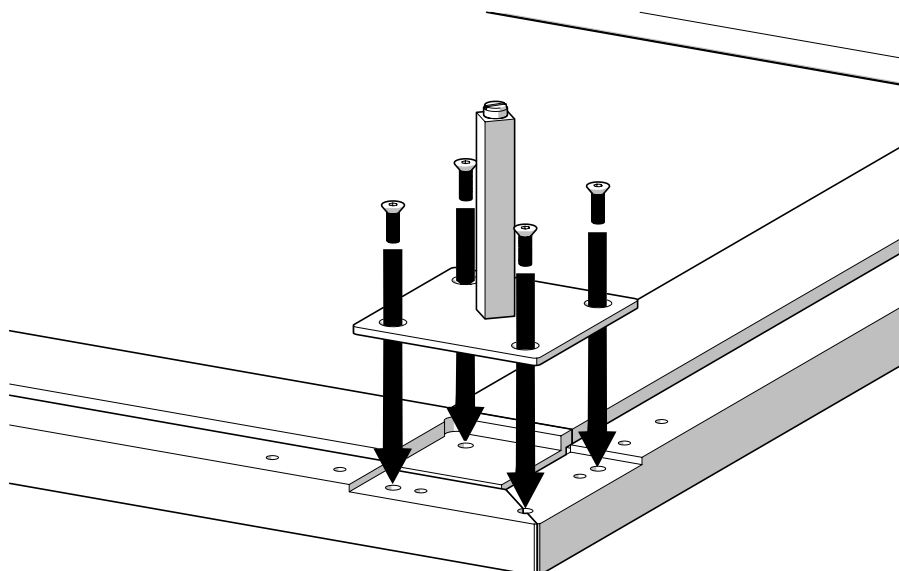
INSTRUCTIONS

1) ATTACH METAL LEGS TO SOFA BASE

a) Place each sofa base face down onto a softened surface on the floor.



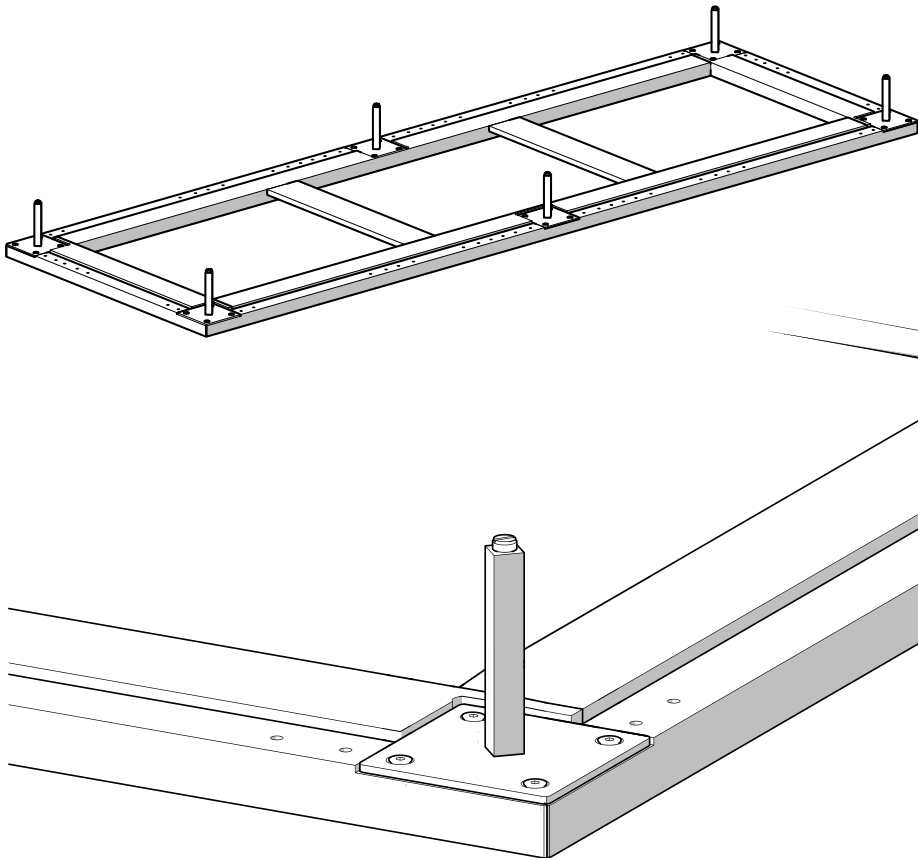
b) One at a time, place the metal legs into the rebates located around the perimeter of the sofa base. Quantity varies according to the module size. Insert an M6 x 25 countersunk screw into each of the four holes in each leg and through the sofa base. Tighten firmly with an Allen Key.



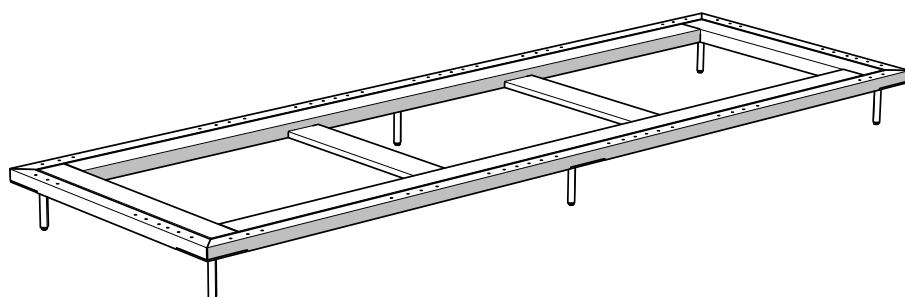
0
2
L
U
C
A
N
I
C
H
E
F
H
IC

ASSEMBLY INSTRUCTIONS CONTINUED
BELLE REEVE SOFA: LEGS

c) The attached legs should look like this:



d) Flip the sofa base assembly over into its natural upright position.



0
3
L
U
C
A
N
I
C
H
E
H
I
C
O

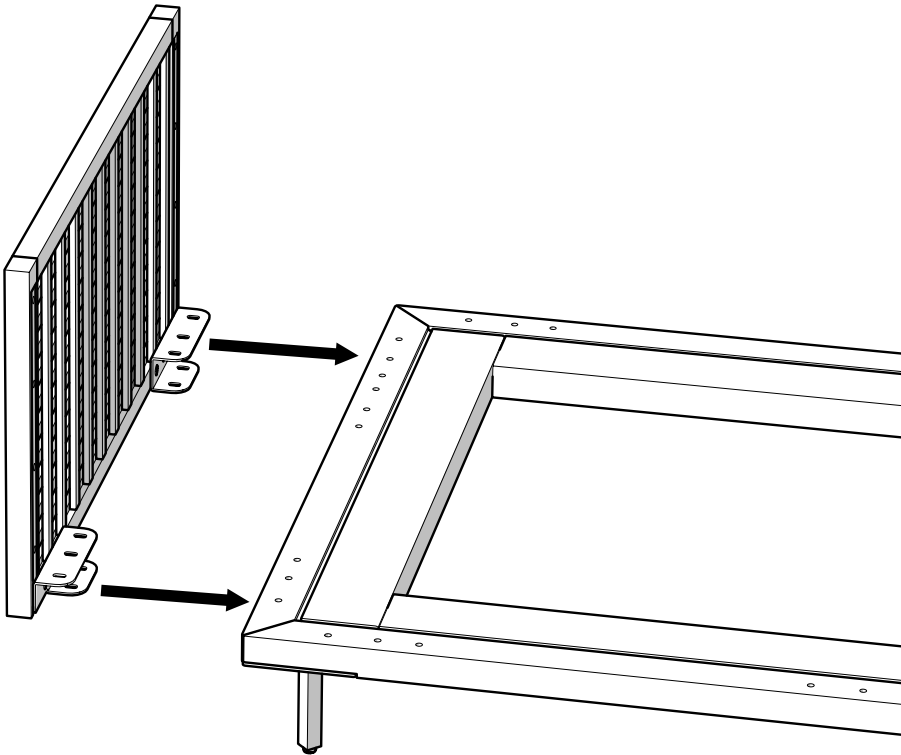
ASSEMBLY INSTRUCTIONS CONTINUED
BELLE REEVE SOFA: PANELS

2) ATTACH PANELS TO SOFA BASE ASSEMBLY

a) Place each panel onto the sofa base, aligning the holes in the hardware with the pre-drilled holes in the base.

For side panels, locate the correct holes by aligning the pre-drilled holes at the front of the sofa base with the three holes in the corresponding hardware. This will locate the correct three holes at the rear of the sofa as well.

NOTE: These instructions show lattice panels, but you may have upholstered panels or a combination of panel types, depending on your order.

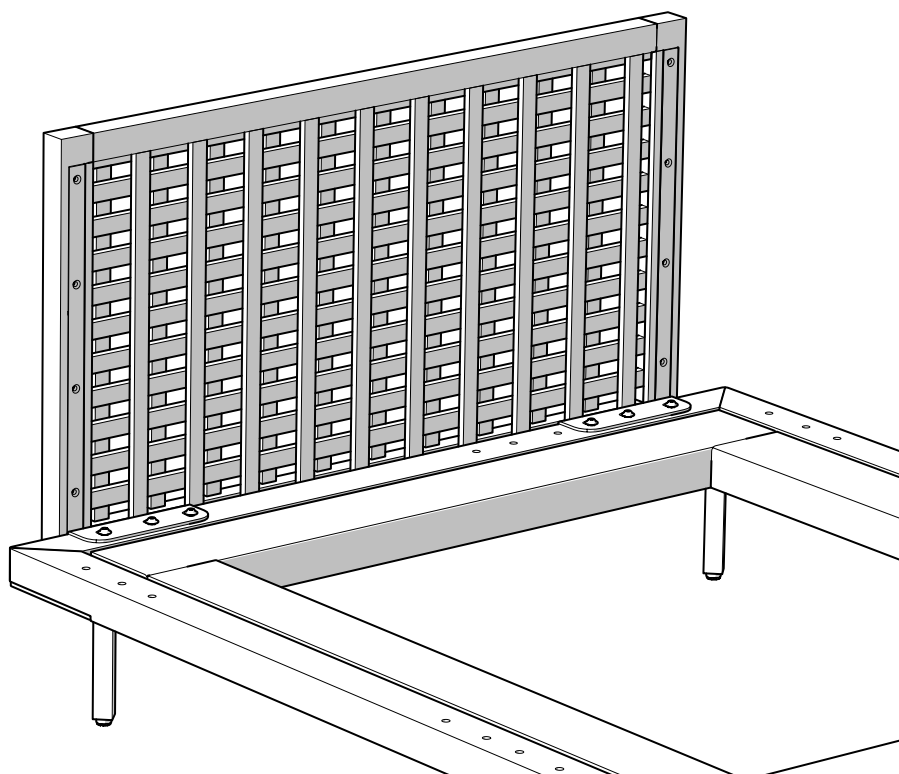
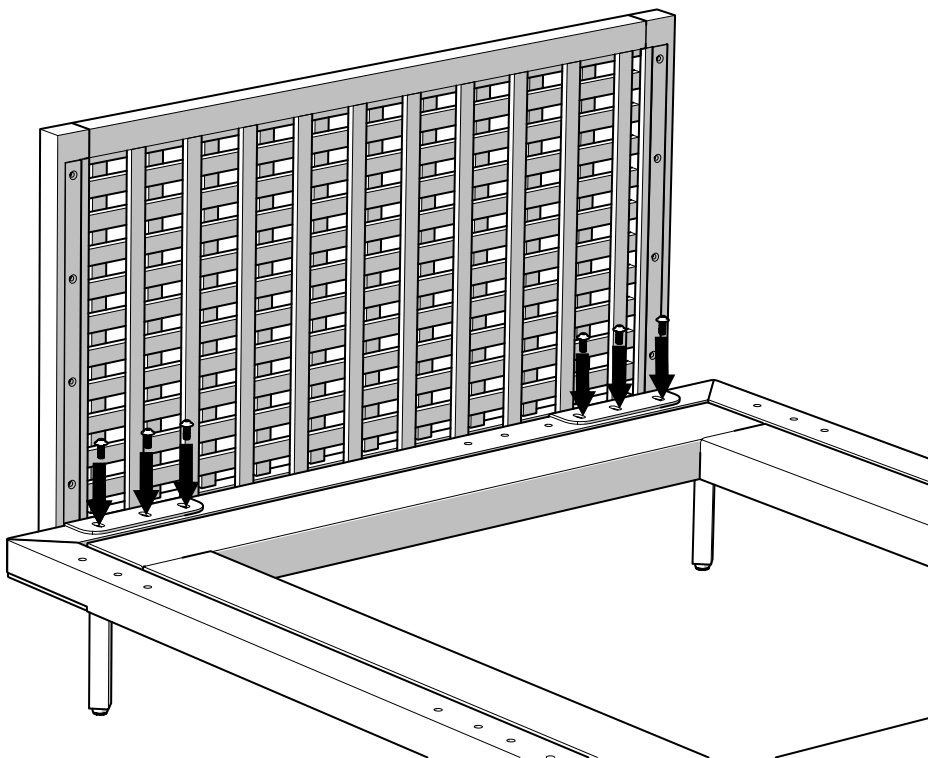


0
4
L
U
C
A
N
I
C
H
E
H
I
C
O

ASSEMBLY INSTRUCTIONS CONTINUED

BELLE REEVE SOFA: PANELS

b) Insert an M6 x 16 Button Cap Screw into each of the holes in the panel hardware where it meets the sofa base. Tighten firmly with an Allen Key.



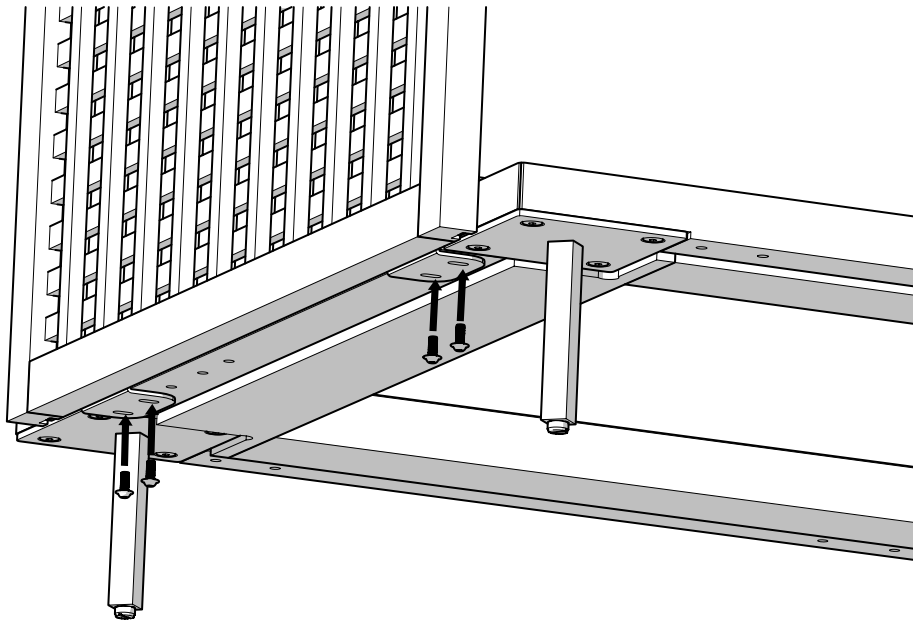
0
5
L
U
C
A
N
I
C
H
E
T
H
I
C

ASSEMBLY INSTRUCTIONS CONTINUED

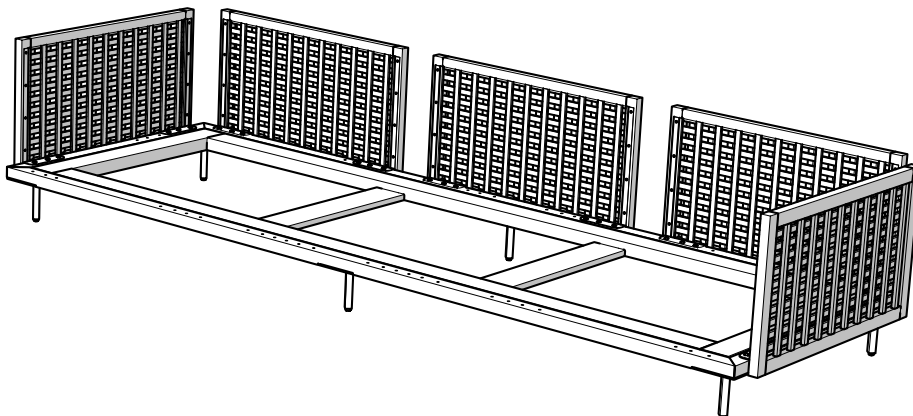
BELLE REEVE SOFA: PANELS

c) On the underside of the assembly, insert an M6 x 16 Button Cap Screw into each of the holes in the panel hardware where it meets the sofa base. Tighten firmly with an Allen Key.

NOTE: You may find it easier to place the sofa on its side to more easily access the hardware on the underside of the sofa base.



d) Repeat the above procedure until all panels are attached.



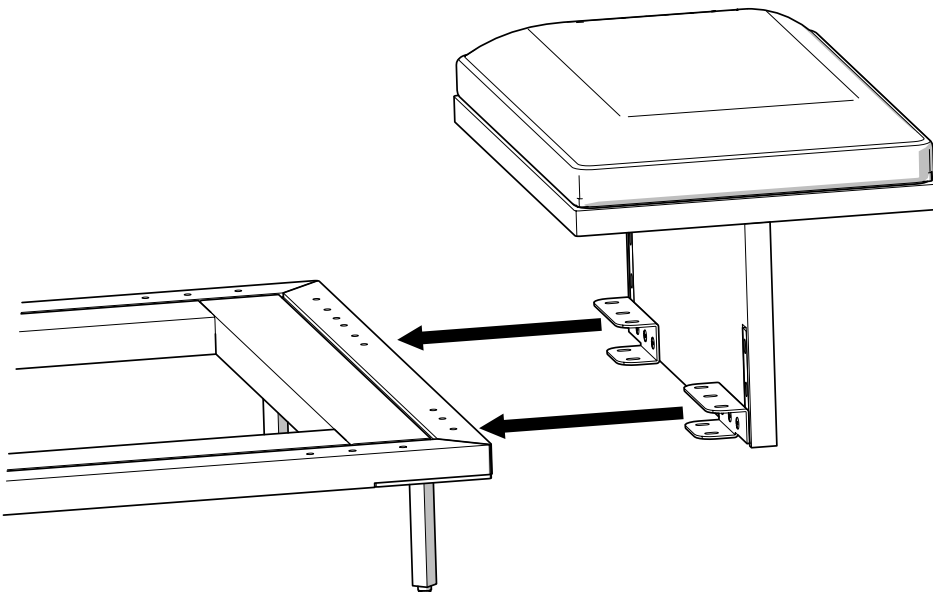
0
6
L
U
C
A
N
I
C
H
E
T
H
I
O

ASSEMBLY INSTRUCTIONS CONTINUED

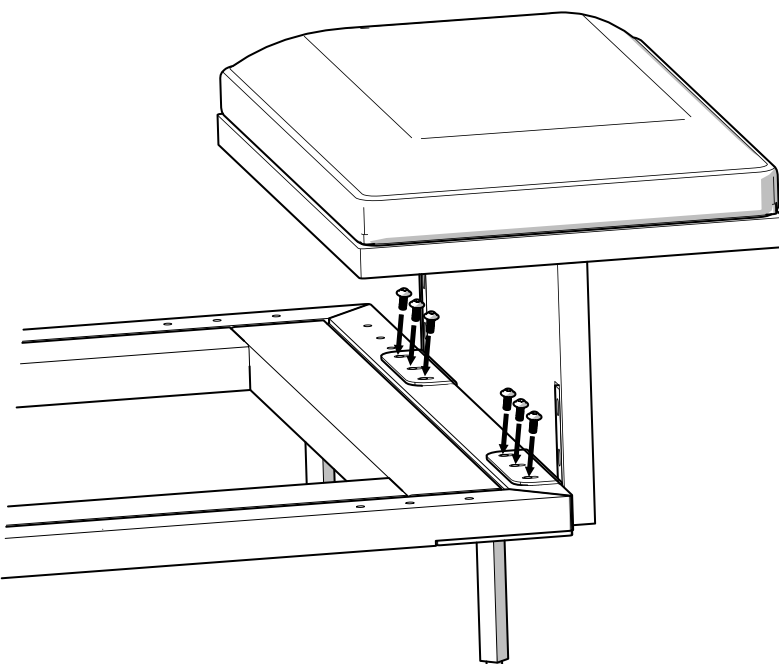
BELLE REEVE SOFA: FLAT ARMREST (IF RELEVANT)

3) CONNECT FLAT ARMREST/S (IF RELEVANT)

a) Place the flat armrest onto the sofa base, aligning the holes in the hardware with the pre-drilled holes in the sofa base. Locate the correct holes by aligning the pre-drilled holes at the front of the sofa base with the three holes in the corresponding hardware. This will locate the correct three holes at the rear of the sofa as well.



b) Insert an M6 x 16 Button Cap Screw into each of the holes in the flat armrest hardware where it meets the sofa base. Tighten firmly with an Allen Key.

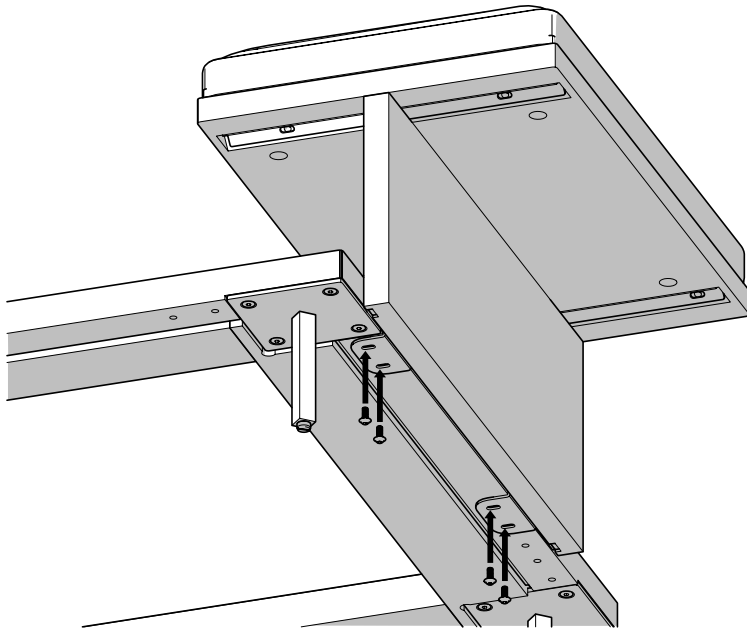


0
7
L
U
C
A
N
I
C
H
E
H
I
O

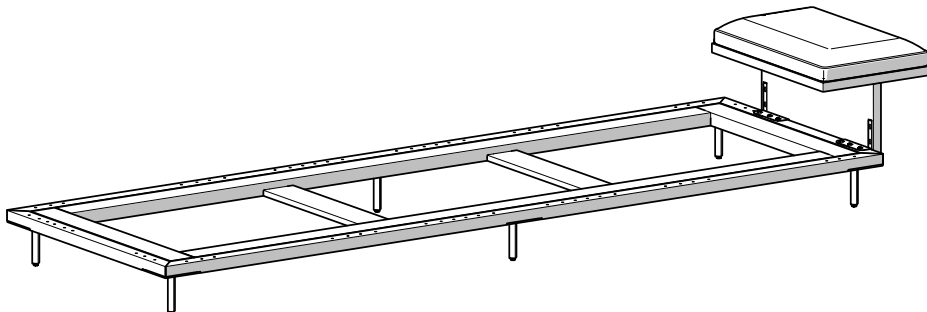
ASSEMBLY INSTRUCTIONS CONTINUED

BELLE REEVE SOFA: FLAT ARMREST (IF RELEVANT)

c) On the underside of the assembly, insert an M6 x 16 Button Cap Screw into each of the holes in the flat armrest hardware where it meets the sofa base. Tighten firmly with an Allen Key.



d) Once attached, the flat armrest will appear like this:



0
8
L
U
C
A
N
I
C
H
E
F
H
I
O

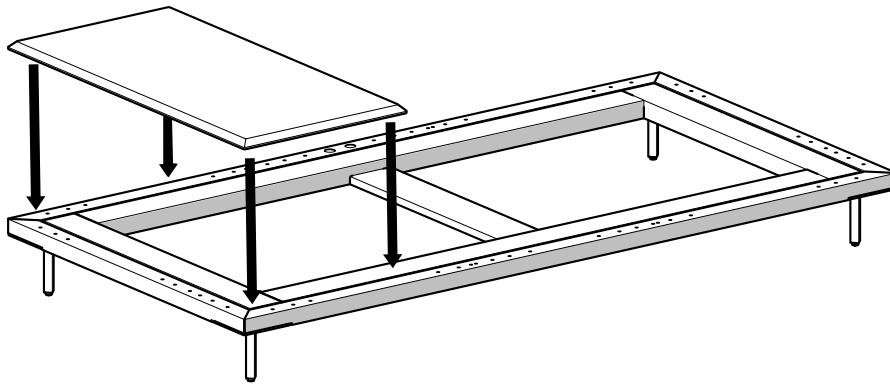
ASSEMBLY INSTRUCTIONS CONTINUED

BELLE REEVE SOFA: MARBLE TABLE (IF RELEVANT)

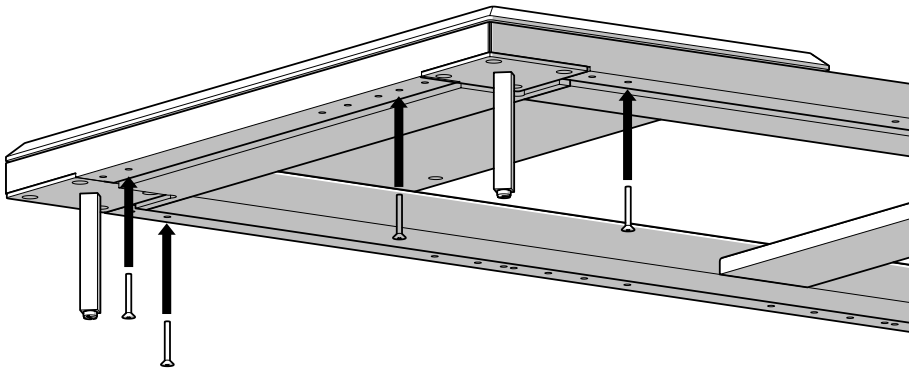
4) CONNECT MARBLE TABLE/S (IF RELEVANT)

a) Gently lower the marble table onto the sofa base, making a note of where the pre-drilled holes are located, and aligning these.

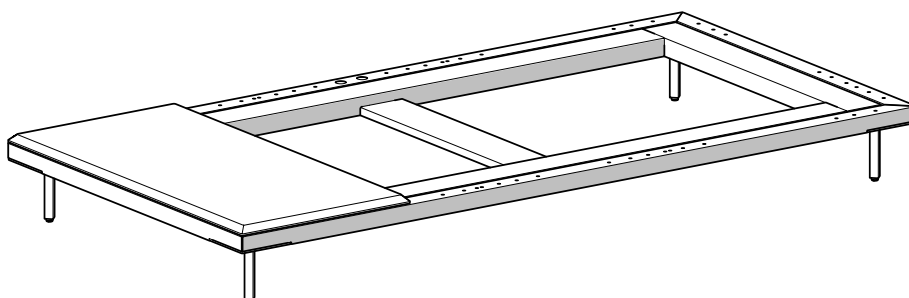
NOTE: If you are uncertain of the placement of the table in the configuration ordered, you may wish to assemble the rest of the sofa first, then add the table at the end to avoid misplacement.



b) On the underside of the assembly, insert an M6 x 45 counter-sunk screw into each of the holes (there will be four holes for a 0.5-unit table and six holes for a 1-unit table). Tighten firmly with an Allen Key.



c) Once attached, the marble table will appear like this:



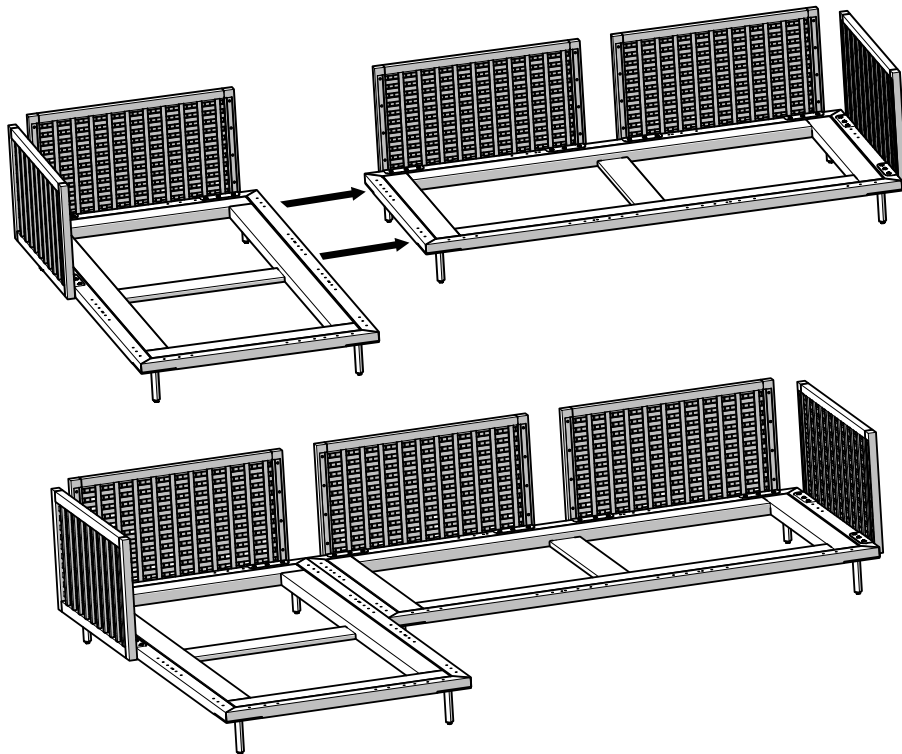
0
9
L
U
C
A
N
I
C
H
E
T
H
O

ASSEMBLY INSTRUCTIONS CONTINUED

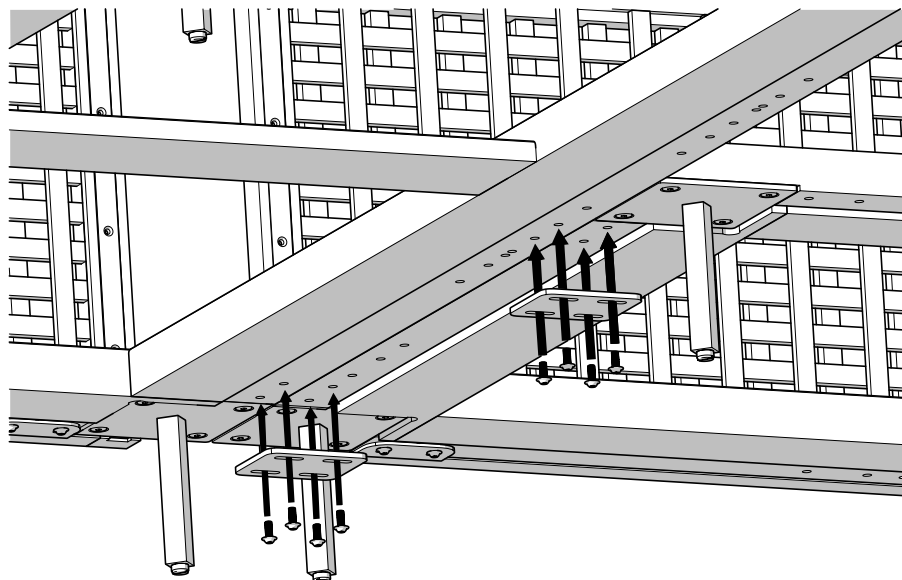
BELLE REEVE SOFA: CONNECTING BASES (IF RELEVANT)

5) CONNECT SOFA BASES TO ONE ANOTHER (IF RELEVANT)

a) Place the sofa assemblies into the relevant configuration then push them together until they meet flush.



b) On the underside of the assembly, place metal plates where the sofa assemblies meet. Although there are many pre-drilled holes in the base, there are only the relevant number of 4-hole clusters to accommodate the metal plates. Insert an M6 x 16 Button Cap Screw into each of the holes in each metal plate and into the sofa bases, then tighten firmly with an Allen Key.



1
0
L
U
C
A
N
I
C
H
E
F
H
O

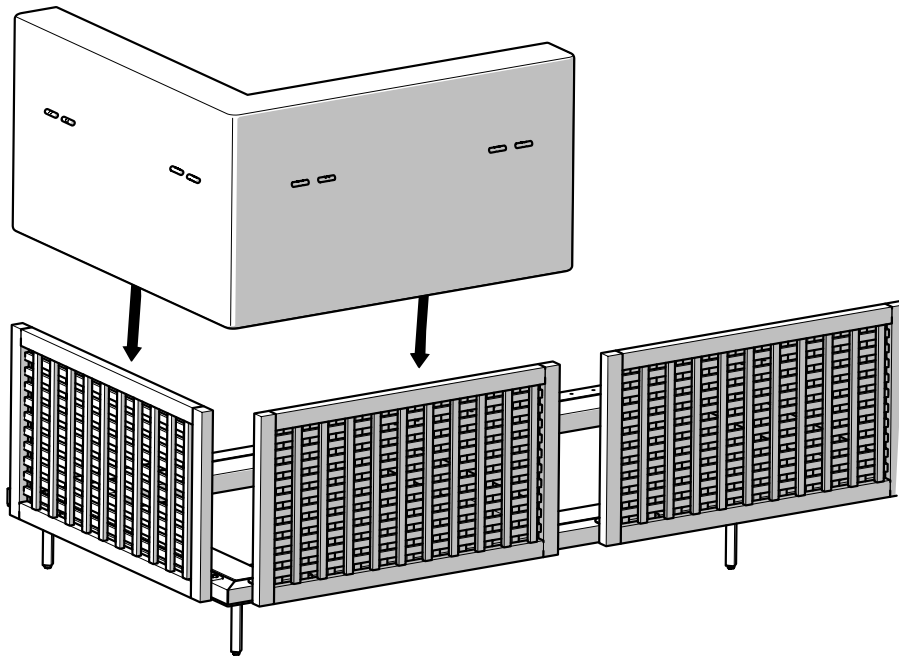
ASSEMBLY INSTRUCTIONS CONTINUED

BELLE REEVE SOFA: BACKREST MODULES

6) ATTACH BACKREST MODULES

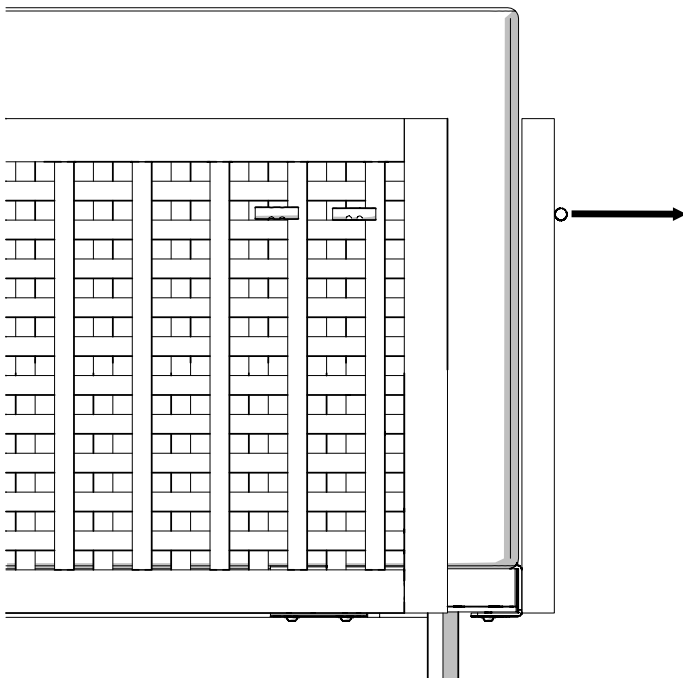
a) Place the backrest modules one at a time into position on the sofa assembly. The toggles located on the backs of the modules will be used to attach them to the panels.

NOTE: If the backrest is a corner, make sure the front of the arm aligns with the front of the sofa base.



LATTICE PANELS:

b) If your sofa has lattice panels, then feed each toggle through the lattice work.

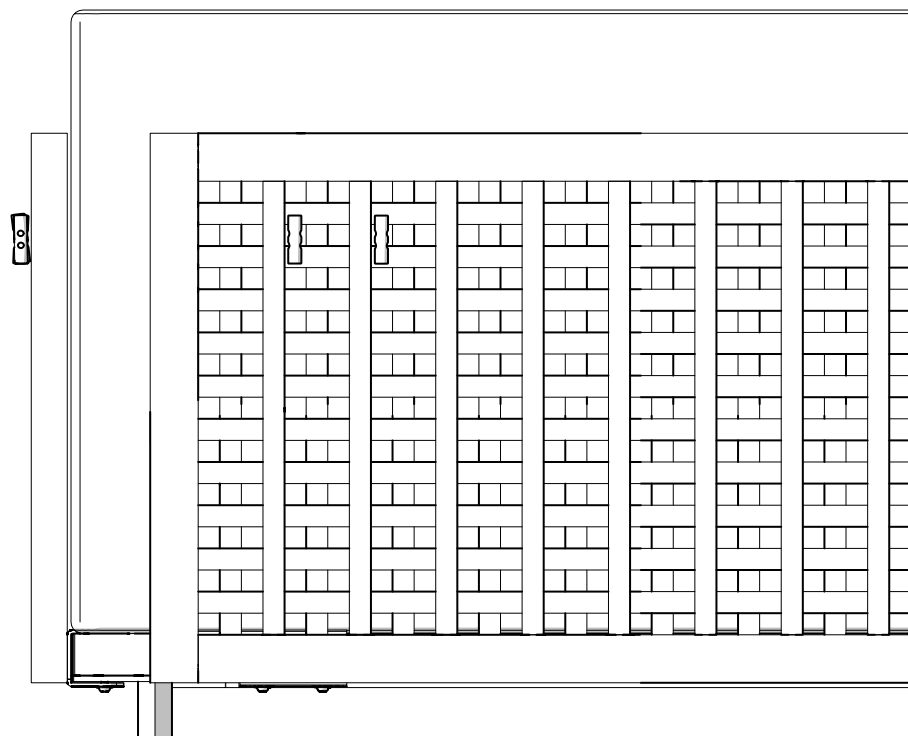
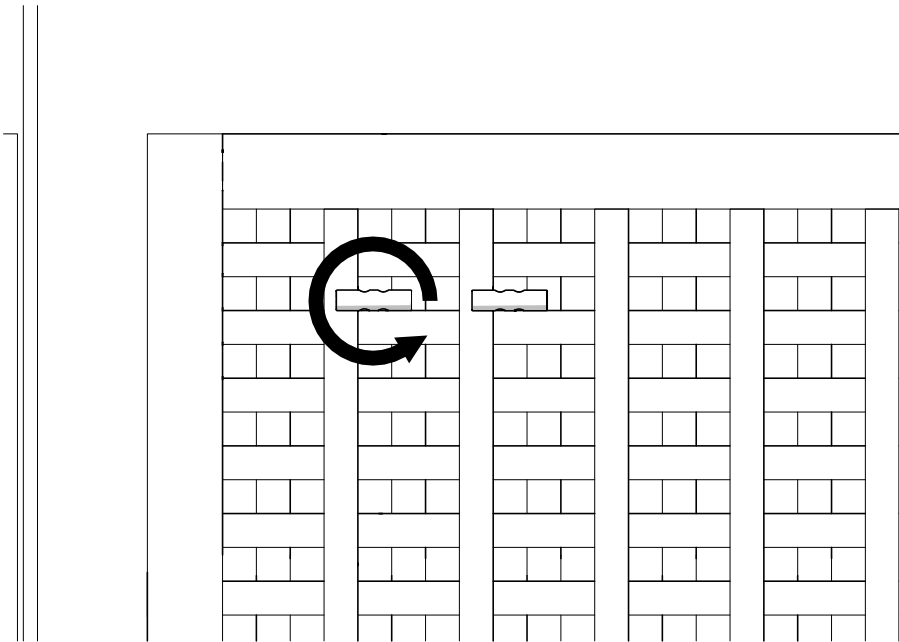


1
1
L
U
C
A
N
I
C
H
E
H
I
O

ASSEMBLY INSTRUCTIONS CONTINUED

BELLE REEVE SOFA: BACKREST MODULES

c) Next, rotate each toggle so it is in an upright position.



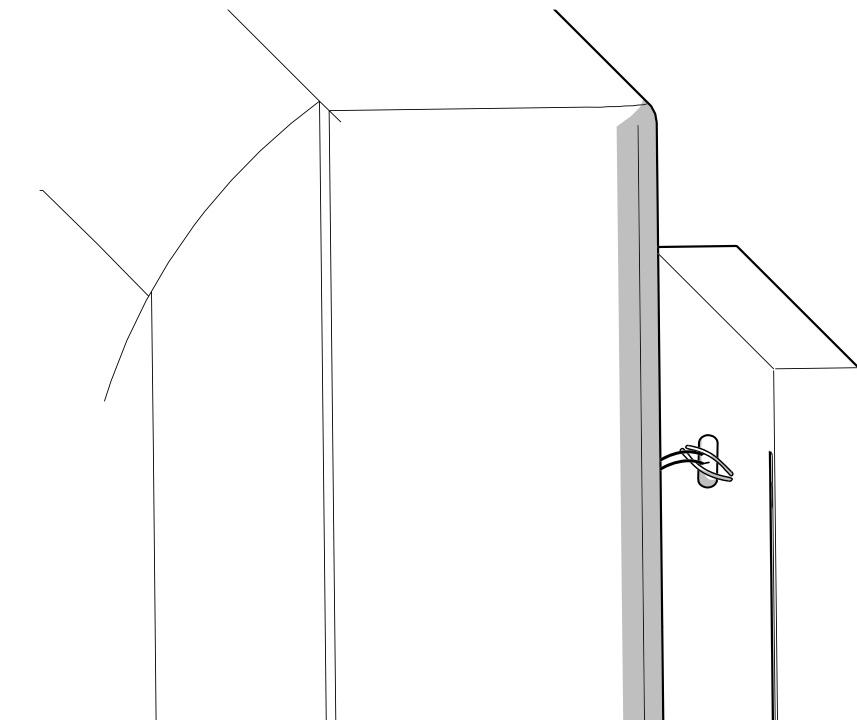
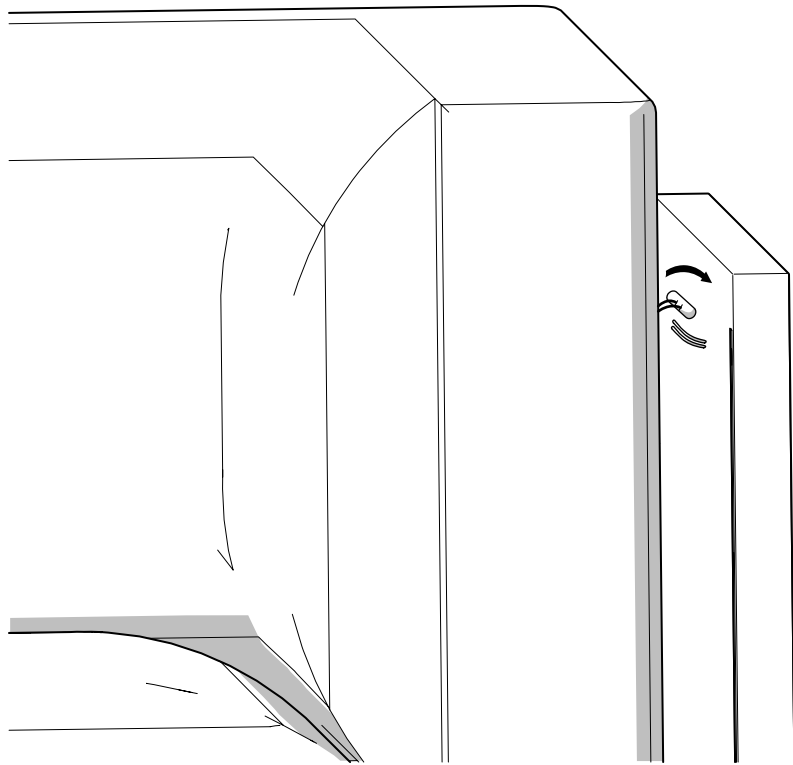
1
2
L
U
C
A
N
I
C
H
E
H
I
O

ASSEMBLY INSTRUCTIONS CONTINUED

BELLE REEVE SOFA: BACKREST MODULES

UPHOLSTERED PANELS:

b) If your sofa has upholstered panels, then feed the toggles through the loops located on the inner faces of the panels, then rotate to secure in place.



1
3
L
U
C
A
N
I
C
H
E
H
I
O

ASSEMBLY INSTRUCTIONS CONTINUED

BELLE REEVE SOFA: SEAT PADS

7) ATTACH SEAT PADS

NOTE: Seat pads are intentionally larger than the sofa base to allow for a slight doming effect that provides increased comfort. As such, it is important to align seat pads flush with key points of the sofa base. The excess dimensions will then be pushed into the backrests for a tidy appearance.

a) Attach the seat pads to the sofa base using the velcro located on the underside of each. Align the seat pads with the sofa base, both front to back and side to side, as detailed in the notes below. Next, squeeze the rear and sides of the seat pads into the space where they meet the backrests.

FRONT TO BACK ALIGNMENT

Align the front face of each seat pad flush with the front face of the sofa base.

SIDE-TO-SIDE ALIGNMENT

Consider side-to-side alignment of the seat pads according to the sofa configuration ordered.

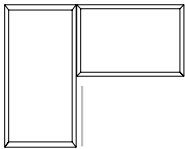
Example 1 - Symmetrical layout:

If you have a symmetrical layout, align the seat pads with the centre point of the sofa base frame. For two seat pads of equal size, align the edge of each with the centre point. For three seat pads of equal size, align the centre point of the middle seat pad with the centre point of the sofa base, then when you place the other seat pads, push the sides of the centre seat pad inward slightly to condense it.



Example 2 - Corner Unit layout:

If you have a corner unit arrangement with a daybed on one side, then begin aligning the seat pad on the daybed first. Align the seat pad with the sofa base flush at both the front and the sides, doming the centre of the pad slightly if needed.



Example 3 - Ottoman:

If you have an ottoman, you will need to align all four edges of the seat pad with the four edges of the sofa base. To do this, you will need to create a slight dome in the centre. Once all sides are aligned, you can push down the centre of the pad.



ASSESSING PLACEMENT

After placing the seat pads, take a step back and look at the overall sofa appearance. If alignment can be improved, then lift the relevant seat pads and realign as needed until the desired result is achieved.

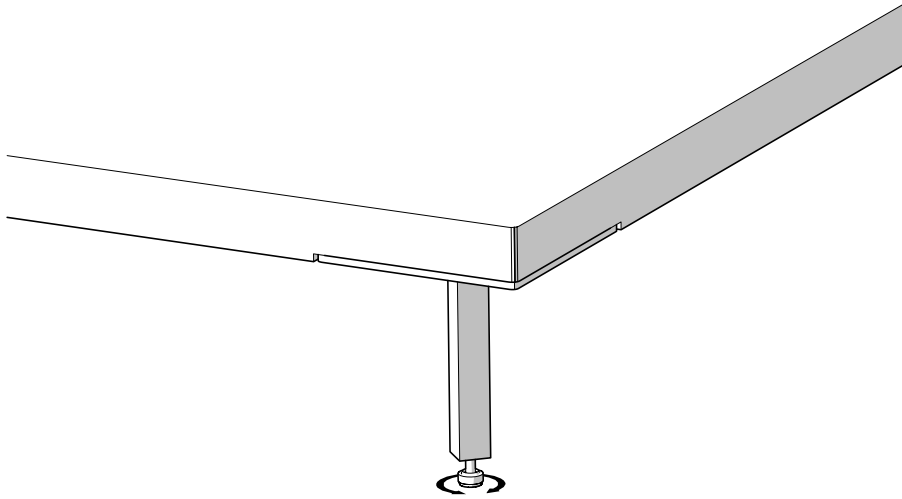
1
4
L
U
C
A
N
I
C
H
E
T
H
O

ASSEMBLY INSTRUCTIONS CONTINUED

BELLE REEVE SOFA: FINISHING TOUCHES

8) LEVEL SOFA

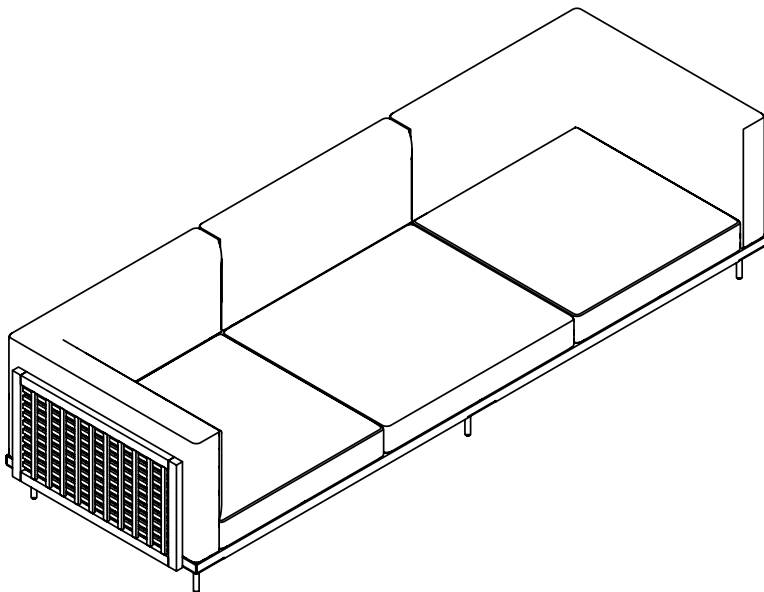
a) Once the sofa is fully assembled, level it using the levelers on the bottom of the feet.



9) PLACE SCATTER CUSHIONS ONTO SOFA (IF RELEVANT)

a) If your sofa has scatter cushions, then place them onto the sofa now.

b) Assembly is now complete and your sofa is ready for use.



1
5
L
U
C
A
N
I
C
H
E
F
H
I
O