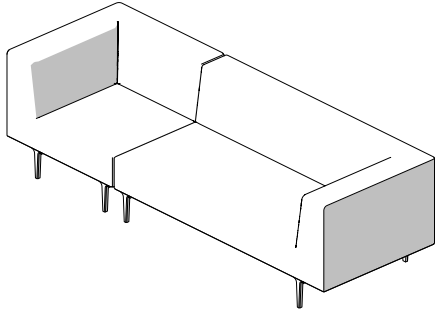


ASSEMBLY INSTRUCTIONS

PLANALTO SOFA BY MATTHEW HILTON

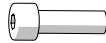


PARTS

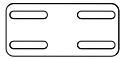
2x Upholstered components
2x Leg frames

HARDWARE

(16x) M8x25 Countersunk Screws (8x) M8x25 Socket Cap Screws



(2x) Metal Connection Plates



YOU WILL NEED

5mm heavy duty Allen Key
6mm heavy duty Allen Key
The help of a friend

NOTES

NOTE 1: Be certain that all assembly is carried out on a flat and stable surface. This will ensure a good final result. Reverse the steps to disassemble the piece.

NOTE 2: Your furniture arrives packed in numerous layers that protect it during transport. It is important that you remove the packaging carefully to avoid damaging your furniture. Refer to our information sheet "Unpacking Your Furniture" for further details.

NOTE 3: Great care is required when assembling our products as they can mark very easily if banged or dropped. Use blankets to soften the assembly surface - hard surfaces such as wood or stone flooring may damage the furniture if in direct contact.

NOTE 4: We advise that assembly and disassembly of De La Espada furniture is undertaken by a minimum of 2 people.

NOTE 5: When screwing in bolts, tighten well, but be sure NOT TO OVERTIGHTEN. This can cause the thread to strip thus resulting in a poor connection.

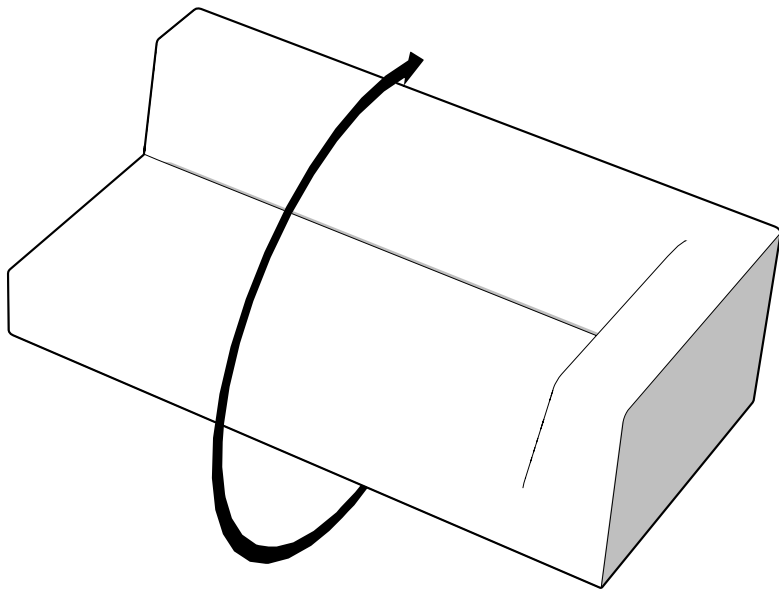
NOTE 6: While you work, be sure all connections are flush with no gaps.

O
1
M
A
T
T
H
E
W
W
H
I
L
T
O
N

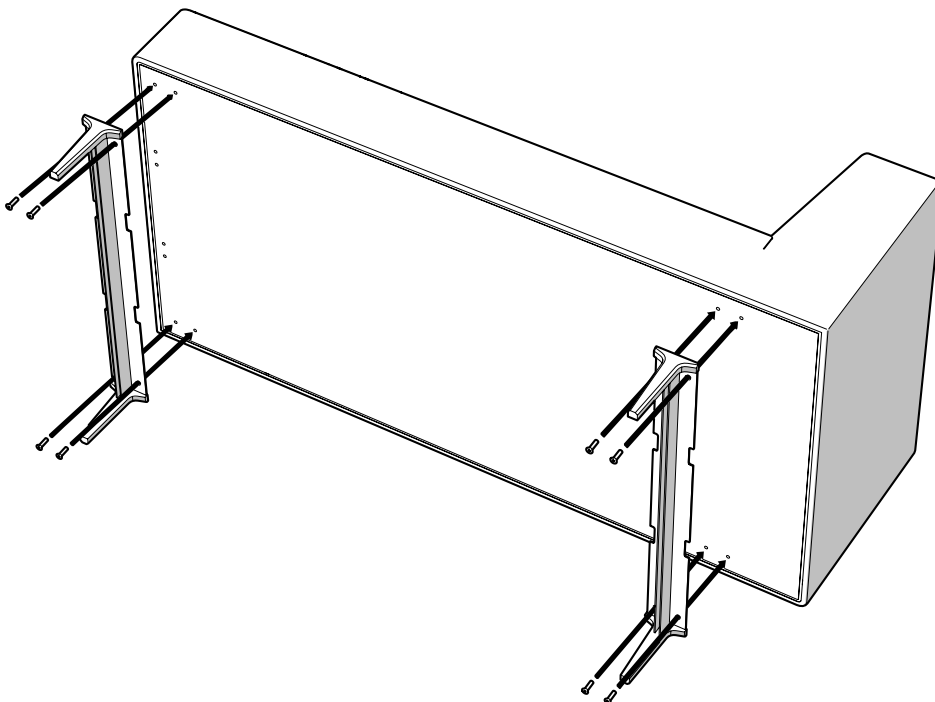
ASSEMBLY INSTRUCTIONS CONTINUED
PLANALTO SOFA

INSTRUCTIONS

- 1) ATTACH THE LEG FRAMES TO THE UPHOLSTERED COMPONENTS
- a) Place one upholstered component onto a softened surface on the floor, with its back down.



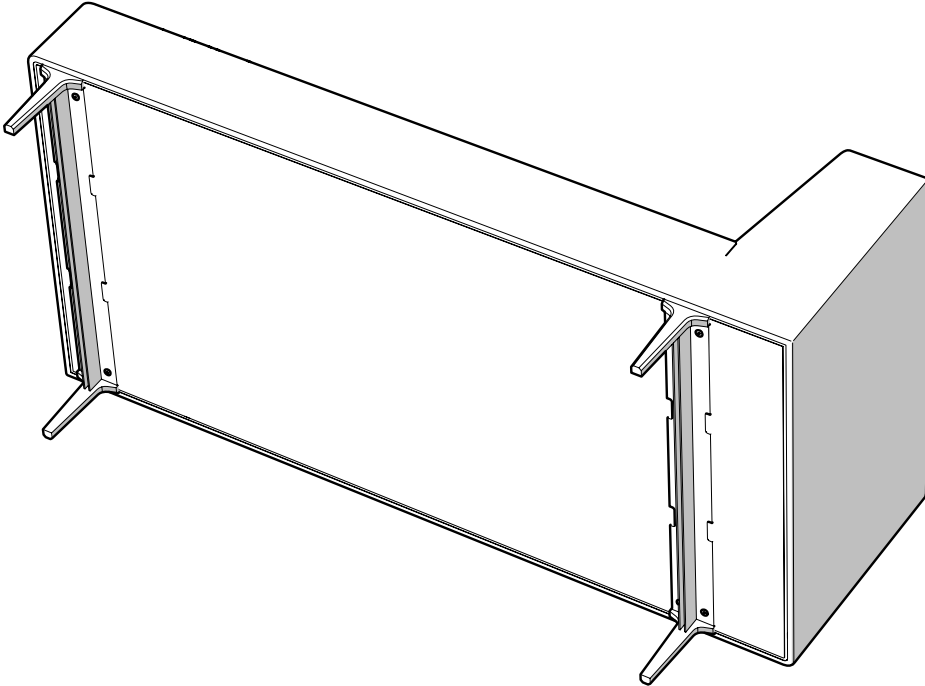
- b) Place one leg frame onto the underside of the upholstered component, aligning the pre-drilled holes in each. Connect the parts by inserting four M8x25 countersunk screws and tightening firmly with an Allen key. Repeat the process to attach the second leg frame.



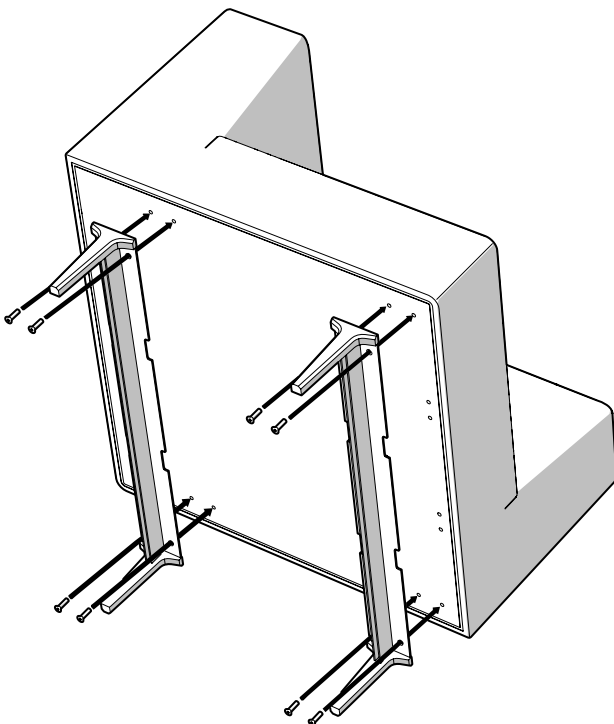
0
2
M
A
T
T
H
E
W
H
I
L
T
O
N

ASSEMBLY INSTRUCTIONS CONTINUED
PLANALTO SOFA

c) The assembly should now look like this.



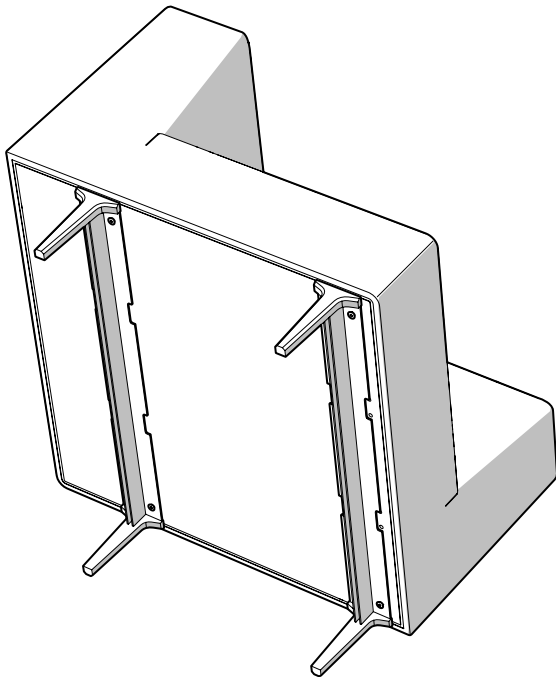
d) Place the remaining upholstered component onto a softened surface on the floor with its back down. Repeat step B to attach the remaining leg frames to the remaining upholstered component.



0
3
M
A
T
T
H
E
W
H
I
L
E
I
N

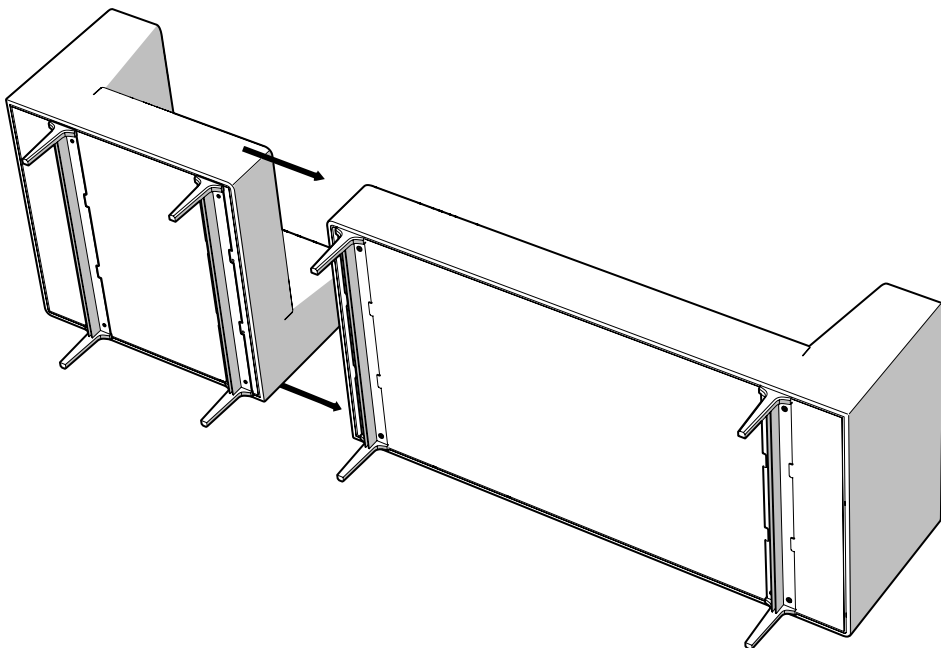
ASSEMBLY INSTRUCTIONS CONTINUED
PLANALTO SOFA

e) This assembly should now look like this.



2) CONNECT THE TWO ASSEMBLIES

a) Place the two assemblies side by side, still with their backs down on a softened surface on the floor. Be sure they are in the correct orientation. Push the two assemblies toward one another until they are flush together.

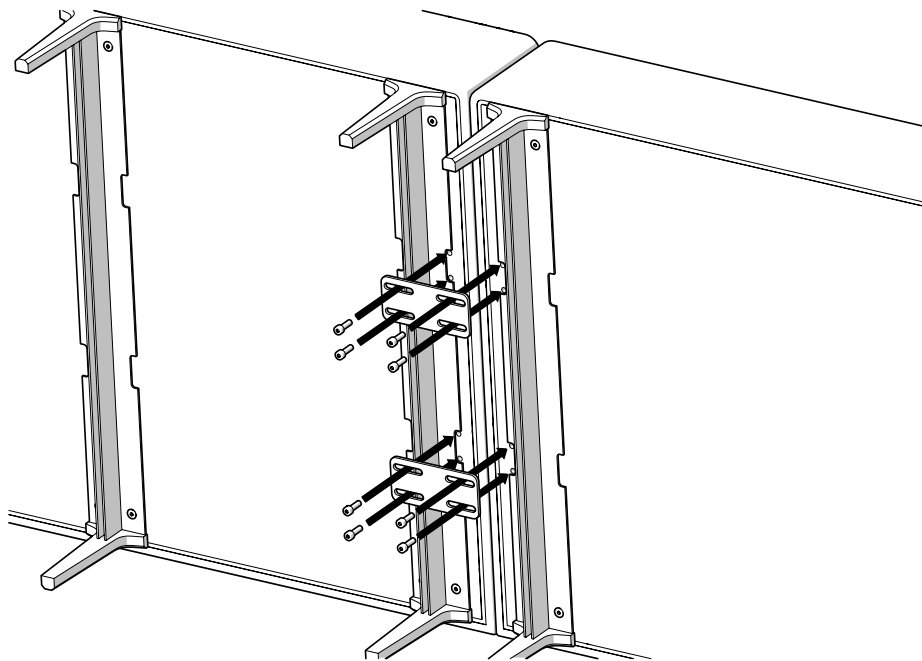


O
4
M
A
T
T
H
E
W
H
I
L
T
O
N

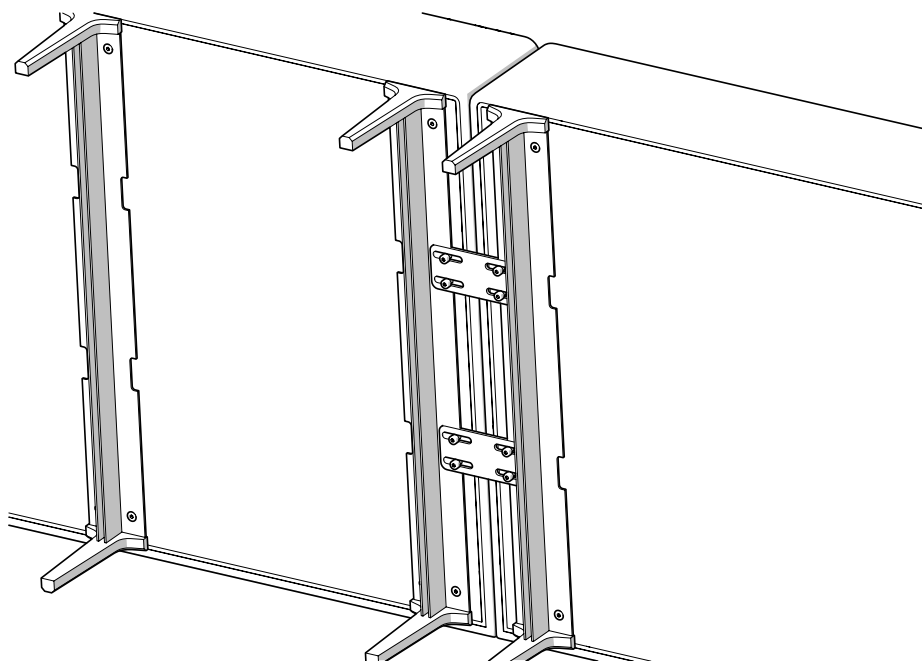
ASSEMBLY INSTRUCTIONS CONTINUED

PLANALTO SOFA

b) Place the two metal connection plates into position where the two assemblies meet. Insert four M8x25 socket cap screws through each plate and into the sofa base and tighten loosely.



c) Once all screws are in place, one friend on either end of the sofa should push the two assemblies toward one another to ensure a close connection, while a third person firmly tightens the screws.

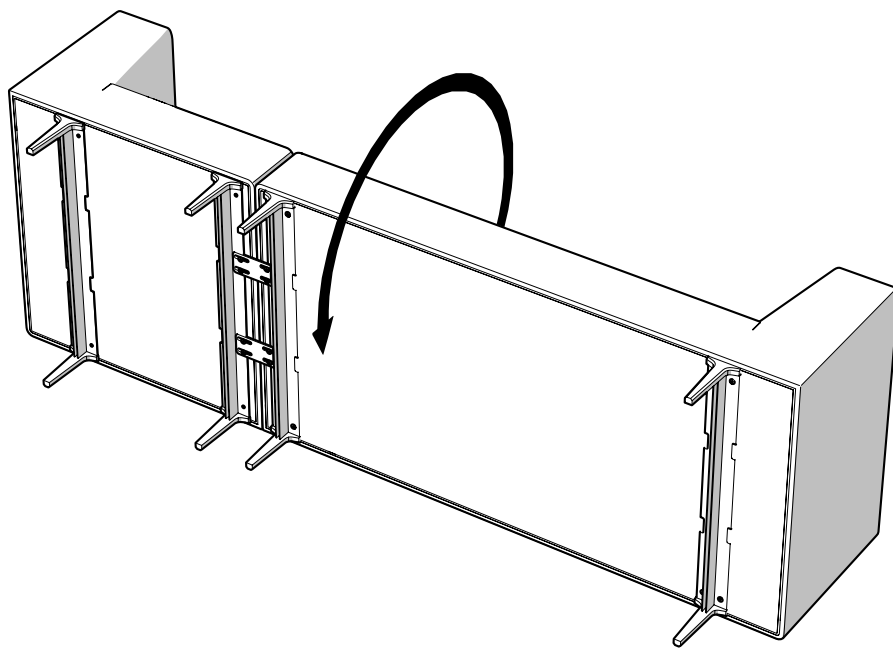


0
5
M
A
T
T
H
E
W
H
I
L
T
O
N

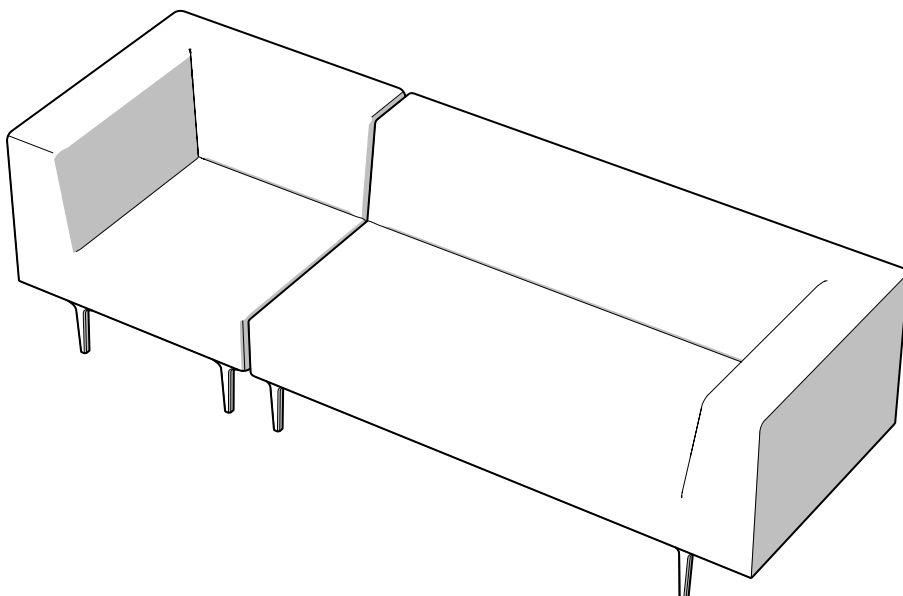
ASSEMBLY INSTRUCTIONS CONTINUED
PLANALTO SOFA

3) TURN THE SOFA INTO AN UPRIGHT POSITION

a) With the help of one or two friends, carefully turn the sofa into its natural upright position, being careful not to place any weight on the legs while turning.



b) The assembly is now complete and the sofa is ready for use.



0
6
M
A
T
T
H
E
W
H
I
L
T
O
N