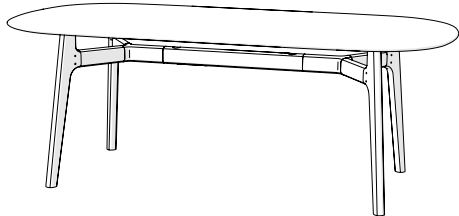


ASSEMBLY INSTRUCTIONS

SOLO OBLONG TABLE BY NERI&HU



PARTS

- 1x Tabletop
- 2x Leg frames
- 1x Cross beam

Hardware:

(4x) Universal connector



(4x) Metal dowels



(8x) M8x15 countersunk screws



YOU WILL NEED

- 5mm Allen Key
- 6mm Allen Key
- The help of a friend

NOTES

NOTE 1: Be certain that all assembly is carried out on a flat and stable surface. This will ensure a good final result. Reverse the steps to disassemble the piece.

NOTE 2: Your furniture arrives packed in numerous layers that protect it during transport. It is important that you remove the packaging carefully to avoid damaging your furniture. Refer to our information sheet "Unpacking Your Furniture" for further details.

NOTE 3: Great care is required when assembling our products . Use blankets to soften the assembly surface - hard surfaces such as wood or stone flooring may damage the furniture if in direct contact.

NOTE 4: We advise that assembly and disassembly of De La Espada furniture is undertaken by a minimum of 2 people.

NOTE 5: When screwing in bolts, tighten well, but be sure NOT TO OVERTIGHTEN. This can cause the thread to strip thus resulting in a poor connection.

NOTE 6: While you work, be sure all connections are flush with no gaps.

NOTE 7: After assembly, ensure that the table is resting on a level surface.

O
1
N
E
R
I
&
H
U

ASSEMBLY INSTRUCTIONS CONTINUED

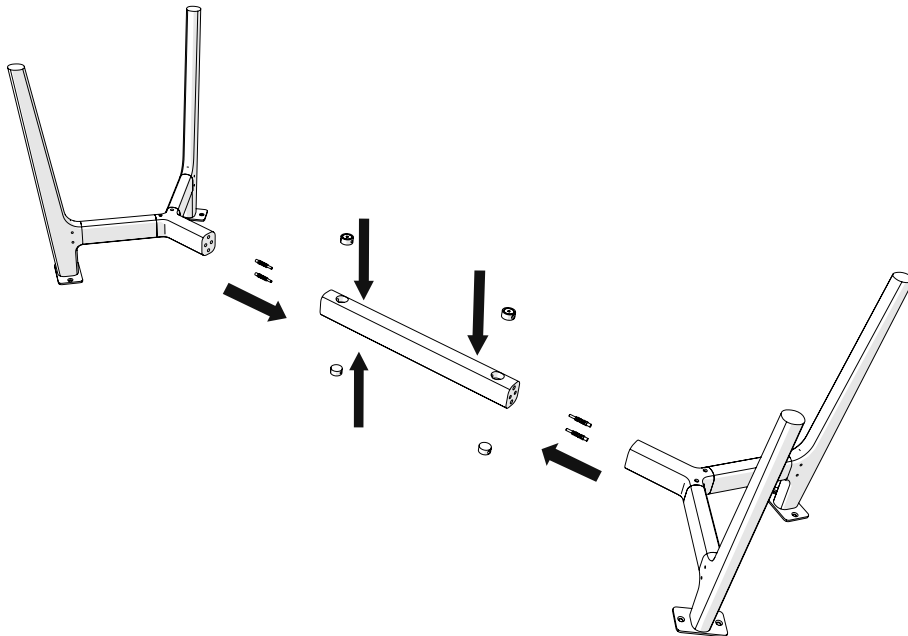
SOLO OBLONG TABLE

INSTRUCTIONS

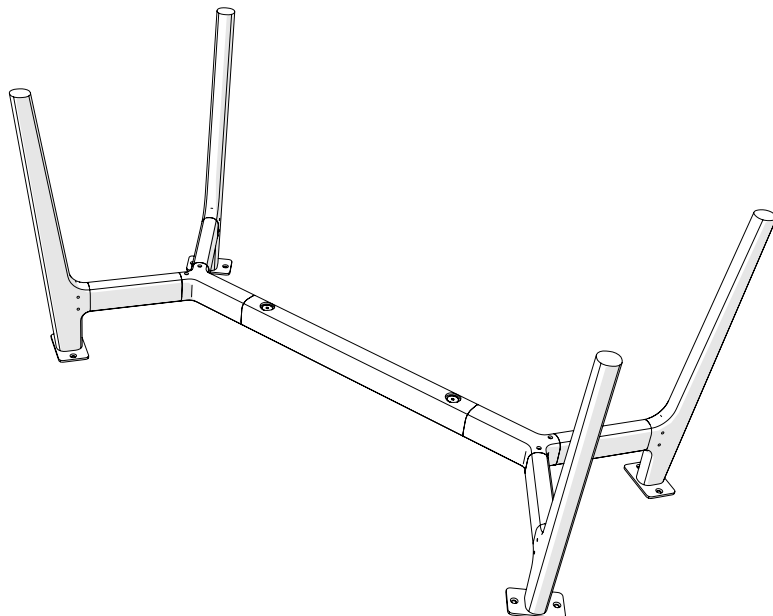
1) ATTACH LEG FRAMES TO THE CROSS BEAM

a) One at a time, place each leg frame face down, matching the number the leg frame with the number marking on the cross beam. Insert the two Universal Connectors into each end of the cross beam, and two metal dowels into the pre-drilled holes in each leg frame.

b) Connect the cross beam to the leg frames by pressing the parts together while guiding the metal dowels into the Universal Connectors. Tighten with an Allen key.



c) The leg assembly should now look like this.



0

2

N

E

R

I

&

H

U

ASSEMBLY INSTRUCTIONS CONTINUED

SOLO OBLONG TABLE

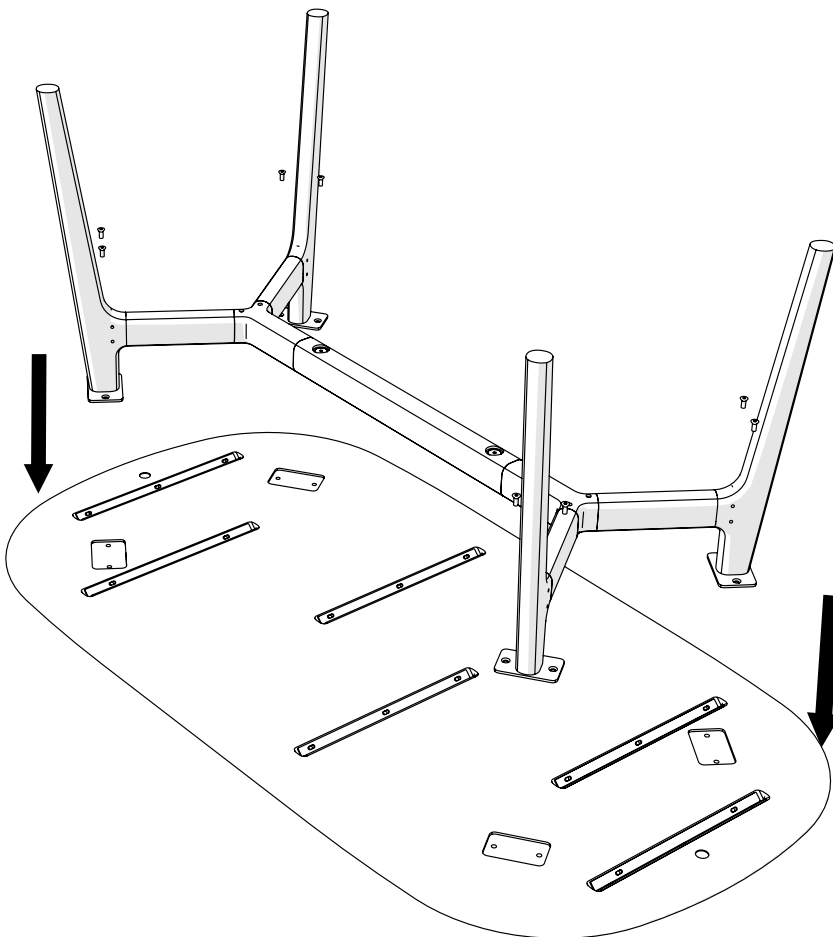
2) ATTACH TABLETOP TO LEG ASSEMBLY

a) Place the tabletop upside down a clean, soft surface such as blanket or carpet on the floor.

b) Turn the leg assembly upside down, and insert the connection plates on the legs into the rebates on the underside of the tabletop.

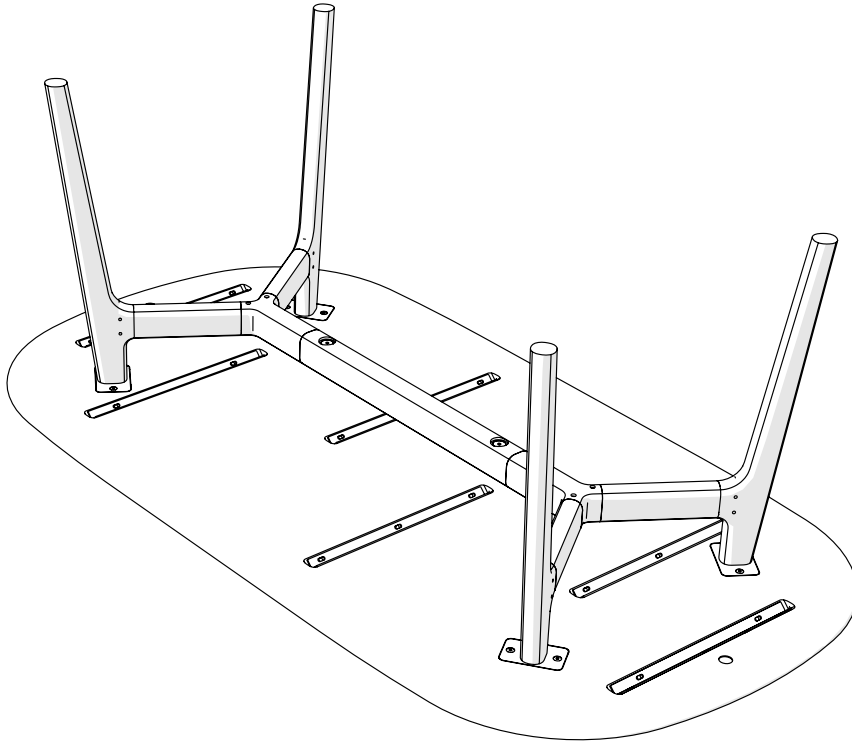
c) Insert the M8x15 countersunk screws into the holes in the connection plates and through the tabletop. Tighten with an Allen key. Tighten firmly but be sure not to overtighten.

0
3
N
E
R
I
&
H
U



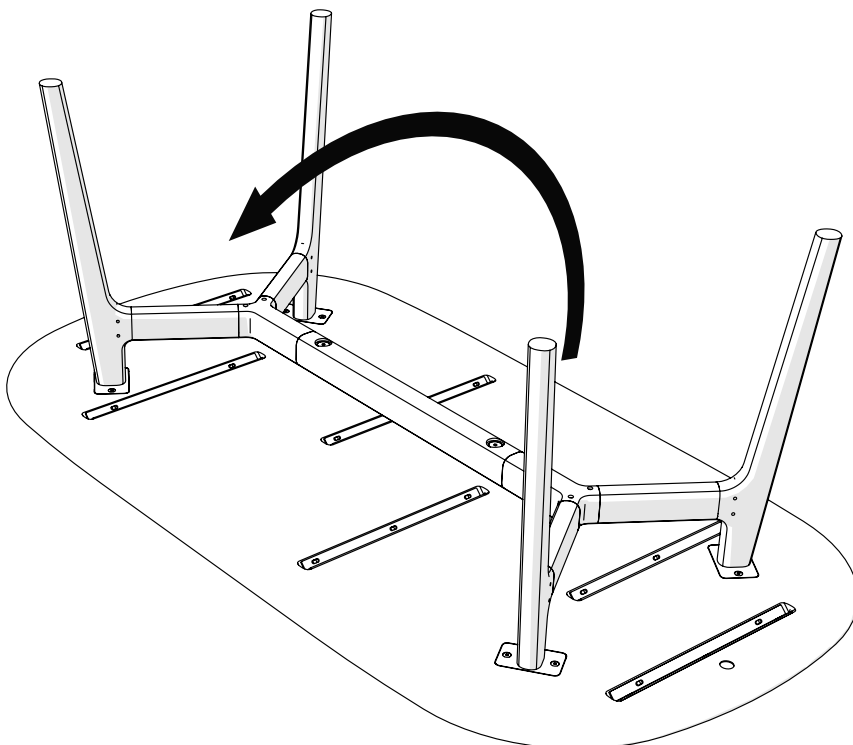
ASSEMBLY INSTRUCTIONS CONTINUED
SOLO OBLONG TABLE

d) The assembly should now look like this.



3) TURN THE TABLE INTO AN UPRIGHT POSITION

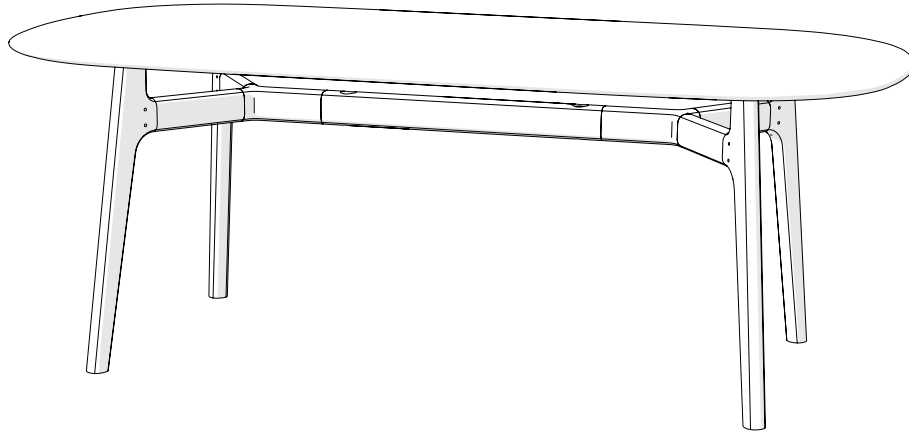
a) With the help of a friend, carefully turn the table over into an upright position, taking care not to place any weight/force on the table legs while turning.



0
4
N
E
R
I
&
H
U

ASSEMBLY INSTRUCTIONS CONTINUED
SOLO OBLONG TABLE

b) The assembly is now complete and the table is ready for use.



0
5
N
E
R
I
&
H
C