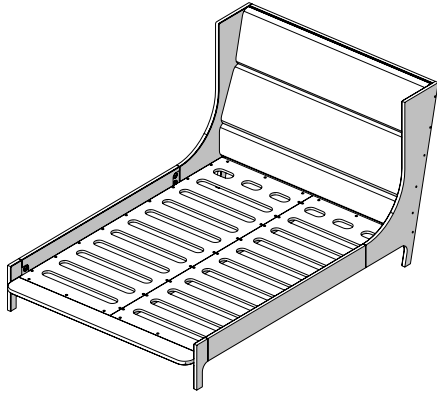


ASSEMBLY INSTRUCTIONS

BERGERE BED BY AUTOBAN



PARTS

- 1x headboard
- 1x footboard
- 2x sidebeams
- 1x central beam
- 2x platform panels

HARDWARE

(6x) Universal connectors
with metal dowels



(4x) M8x30 countersunk screws



(48x) M6x25 countersunk screws



YOU WILL NEED

- 4mm Allen Key
- 5mm Allen Key
- 6mm Allen Key
- The help of a friend

NOTES

NOTE 1: Be certain that all assembly is carried out on a flat and stable surface. This will ensure a good final result. Reverse the steps to disassemble the piece.

NOTE 2: Your furniture arrives packed in numerous layers that protect it during transport. It is important that you remove the packaging carefully to avoid damaging your furniture. Refer to our information sheet "Unpacking Your Furniture" for further details.

NOTE 3: Great care is required when assembling our products. Use blankets to soften the assembly surface - hard surfaces such as wood or stone flooring may damage the furniture if in direct contact.

NOTE 4: We advise that assembly and disassembly of De La Espada furniture is undertaken by a minimum of 2 people.

O
1
A
U
T
O
B
A
N

ASSEMBLY INSTRUCTIONS CONTINUED

BERGERE BED

NOTE 5: When screwing in bolts, tighten well, but be sure NOT TO OVERTIGHTEN. This can cause the thread to strip thus resulting in a poor connection.

NOTE 6: All mating parts are numbered so they correspond to the appropriate part around the frame of the bed. you will ensure the best possible fit if all parts are mated with the corresponding numbered parts. While you work, be sure all connections are flush with no gaps.

INSTRUCTIONS

1. ATTACH SIDEBEAMS TO HEADBOARD AND FOOTBOARD

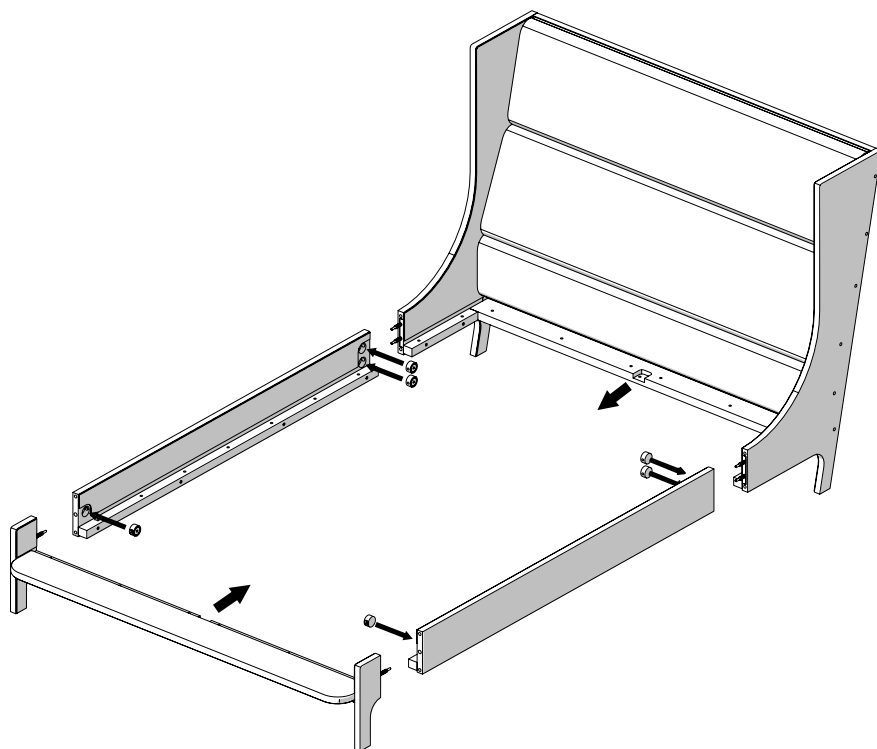
a) Unpack components and set them out so they are in the correct orientation. Check for number markings.

b) Insert the metal dowels into the pre-drilled holes in the headboard and footboard.

c) Insert the Universal Connectors (round metal hardware) into the rebates in the sidebeams.

d) Connect the parts by guiding the metal dowels into the Universal Connectors, then tightening with an Allen Key.

0
2
A
U
T
O
B
A
N



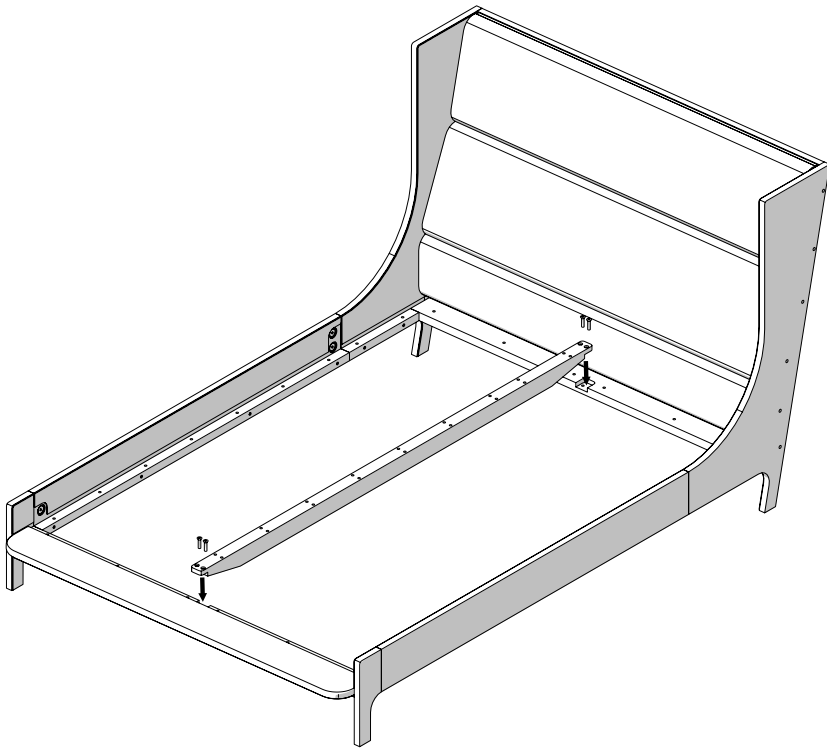
ASSEMBLY INSTRUCTIONS CONTINUED

BERGERE BED

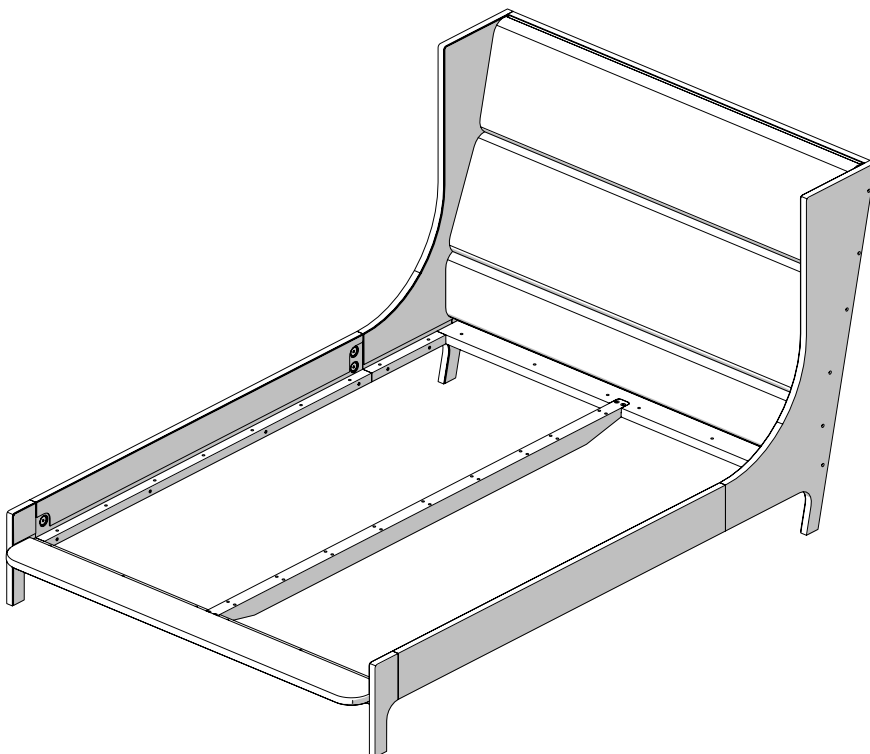
2. ATTACH CENTRAL BEAM TO HEADBOARD AND FOOTBOARD

a) Place central beam in position, following number markings.

b) Insert an M8x30 countersunk screw in each of the four recesses in the central beam, then tighten with an Allen Key.



c) The assembly should now look like this.



0
3
A
U
T
O
B
A
N

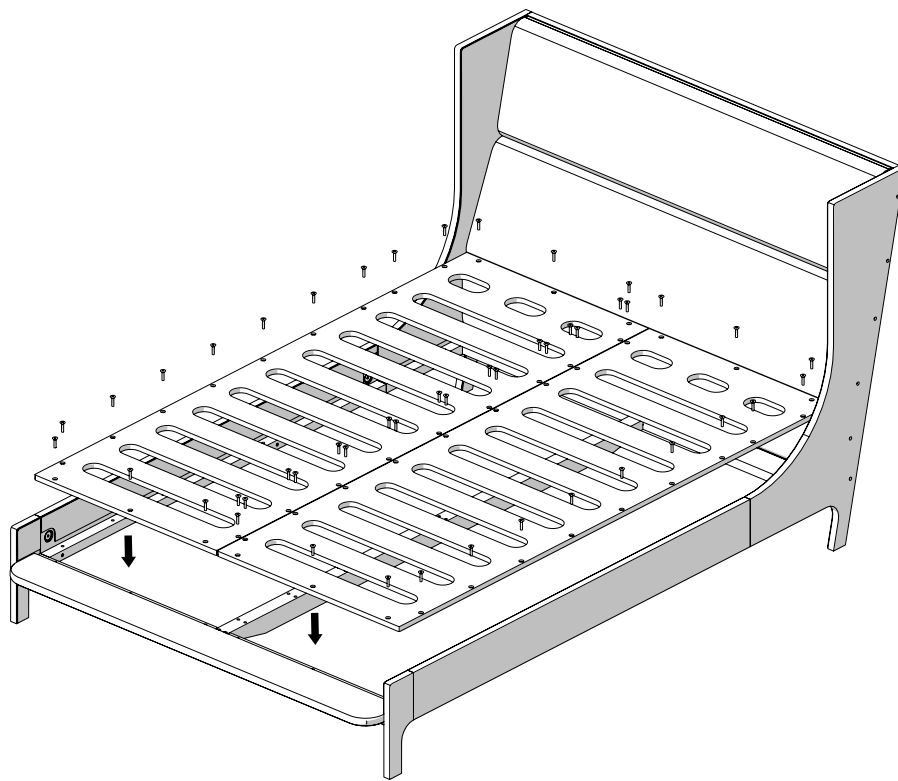
ASSEMBLY INSTRUCTIONS CONTINUED

BERGERE BED

3. ATTACH THE PLATFORM PANELS TO THE PLATFORM BASE

a) Place the platform panels into position on the platform base, aligning the pre-drilled holes.

b) Insert an M6x25 countersunk screw into each pre-drilled hole where the parts meet, and tighten firmly with an Allen Key.

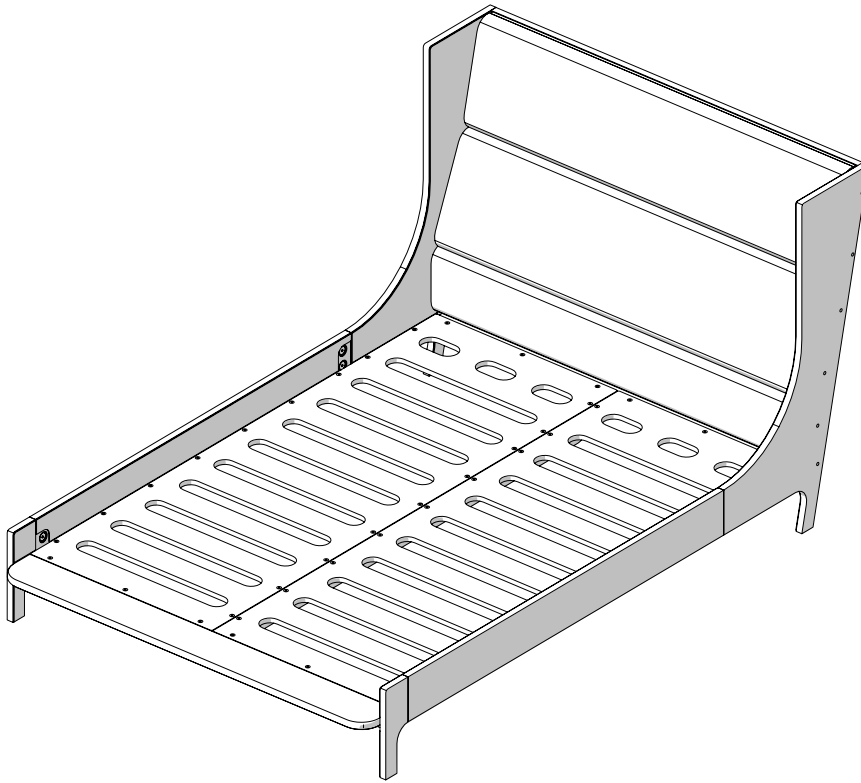


0
4
A
U
T
O
B
A
N

ASSEMBLY INSTRUCTIONS CONTINUED

BERGERE BED

c) Assembly is now complete and the bed is ready to receive a mattress.



0
5
A
U
T
O
B
A
N