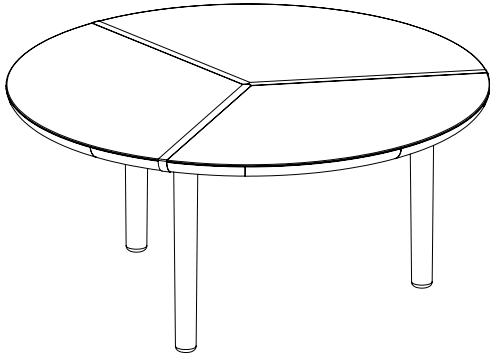


ASSEMBLY INSTRUCTIONS

MARLON ROUND TABLE BY NICHETTO



PARTS

1x Tabletop
3x Legs

HARDWARE

(12x) M6x30 Countersunk Screws



YOU WILL NEED

5mm heavy duty Allen Key
The help of a friend

NOTES

NOTE 1: Be certain that all assembly is carried out on a flat and stable surface. This will ensure a good final result. Reverse the steps to disassemble the piece.

NOTE 2: Your furniture arrives packed in numerous layers that protect it during transport. It is important that you remove the packaging carefully to avoid damaging your furniture. Refer to our information sheet "Unpacking Your Furniture" for further details.

NOTE 3: Great care is required when assembling our products . Use blankets to soften the assembly surface - hard surfaces such as wood or stone flooring may damage the furniture if in direct contact.

NOTE 4: We advise that assembly and disassembly of De La Espada furniture is undertaken by a minimum of 2 people.

NOTE 5: When screwing in bolts, tighten well, but be sure NOT TO OVERTIGHTEN. This can cause the thread to strip thus resulting in a poor connection.

NOTE 6: All mating parts are numbered. You will ensure the best possible fit if all parts are mated with the corresponding numbered parts. While you work, be sure all connections are flush with no gaps.

O
1
N
I
C
H
E
T
T
O

ASSEMBLY INSTRUCTIONS CONTINUED

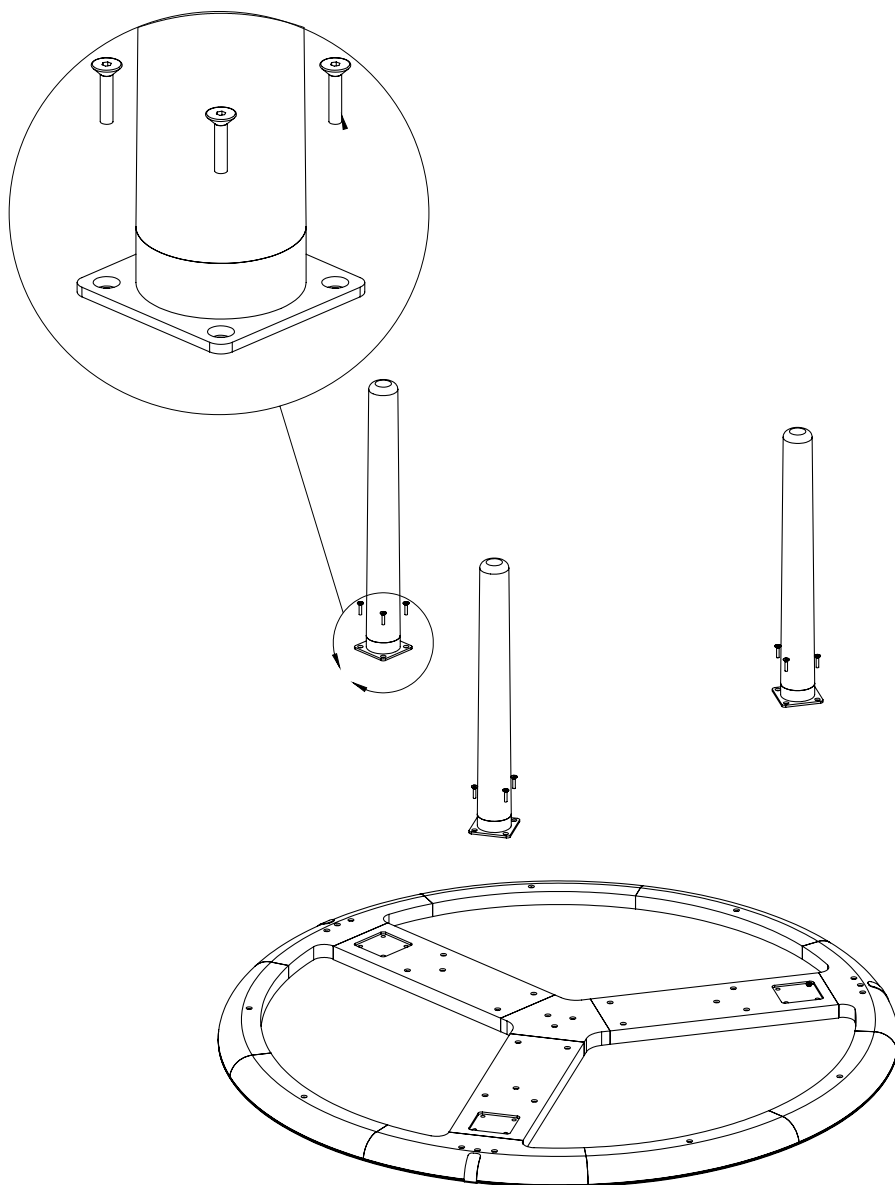
MARLON ROUND TABLE

INSTRUCTIONS

1) ATTACH LEGS TO TABLETOP

a) Place the tabletop face down on the floor.

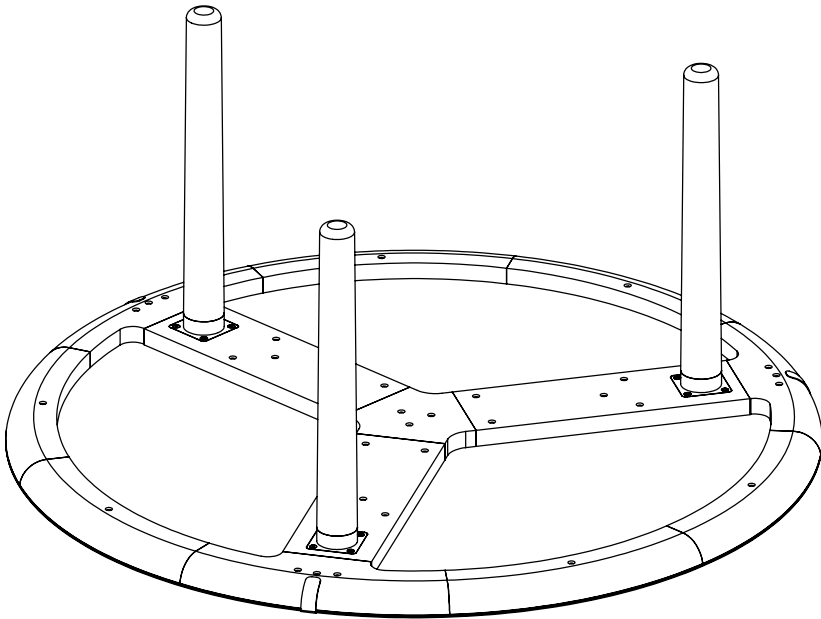
b) One at a time, turn each leg upside down, position it into the relevant rebate in the underside of the tabletop, and secure with 4x M6x30 Countersunk screws tightened with an Allen key.



0
2
N
I
C
H
E
H
H
O

ASSEMBLY INSTRUCTIONS CONTINUED
MARLON ROUND TABLE

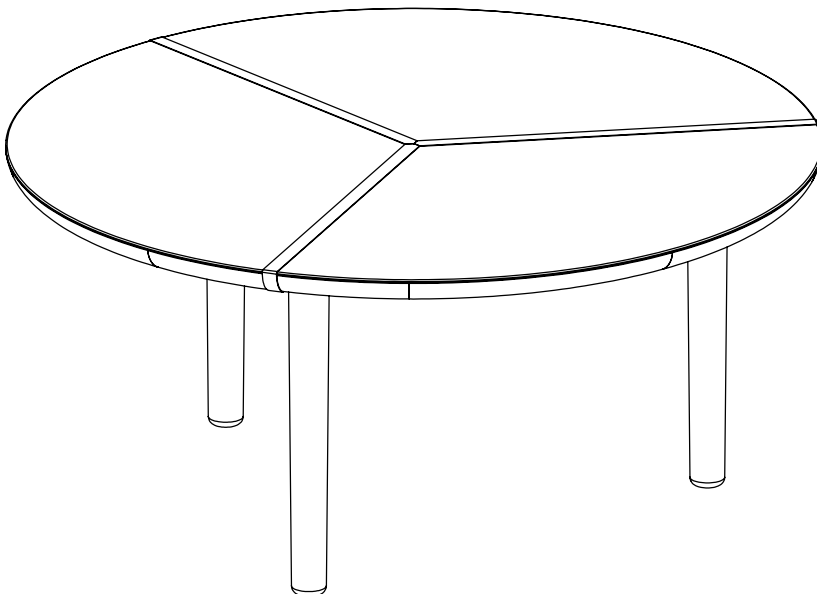
c) The assembly should now look like this



2) TURN TABLE INTO NATURAL POSITION

a) With the help of a partner, flip the table so that it is resting on its legs. Please ensure that the table is not rested on two legs as it is flipped over as this may cause damage to the table.

b) Assembly is now complete, and the table is ready for use.



0
3
N
I
C
H
E
H
H
O