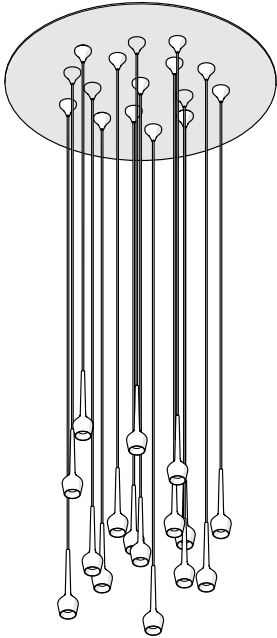


INSTALLATION INSTRUCTIONS

390RL NITERÓI BY MATTHEW HILTON



The components of this light are milled from solid billets of aluminium or brass using highly sophisticated precision engineering. The aluminium has been anodised to increase resistance to corrosion and wear. The brass is inherently resistant to corrosion and wear, and as it is uncoated, will develop a patina over time.

You will notice the components change colour with age, which is normal for these materials.

Refer to the De La Espada website for care instructions specific to each material and finish.

NOTES

NOTE 1: This chandelier must be installed by a professional electrician or De La Espada-approved installer.

NOTE 2: Before you start any kind of electrical work, first isolate the circuit by removing the circuit fuse or by switching and locking the circuit breaker. Double-check it is dead by using a socket tester or voltage tester. Never take risks with electrical safety!

NOTE 3: Great care is required when installing this light, as it can mark easily if banged or dropped. Once you begin attaching the looms, they may have a tendency to swing. To protect the pendants, it is important to keep each wrapped in its protective sleeve until installation is complete.

IMPORTANT! ALWAYS USE GLOVES WHEN HANDLING BRASS PRODUCTS.

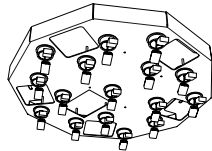
Our brass is uncoated to embrace the natural patina that will develop over time. Never handle brass with your bare hands, as the oils in your skin will cause the surface to oxidise more quickly in the areas you touch, highlighting your finger prints. If you ordered your product in brass, you will find white gloves in the supplied hardware box.

O
L
M
A
T
T
H
E
W
H
I
L
T
O
N

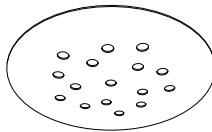
INSTALLATION INSTRUCTIONS
NITERÓI BY MATTHEW HILTON

KEY (NOT TO SCALE)

Anchor Box



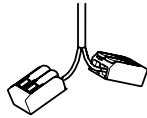
Fascia Plate



Steel Connector



Electrical Connector



Cable Gripper



Connector



Pendant



Loom



0
2
M
A
T
T
H
E
W
H
I
L
T
O
N

INSTALLATION INSTRUCTIONS CONTINUED

NITERÓI BY MATTHEW HILTON

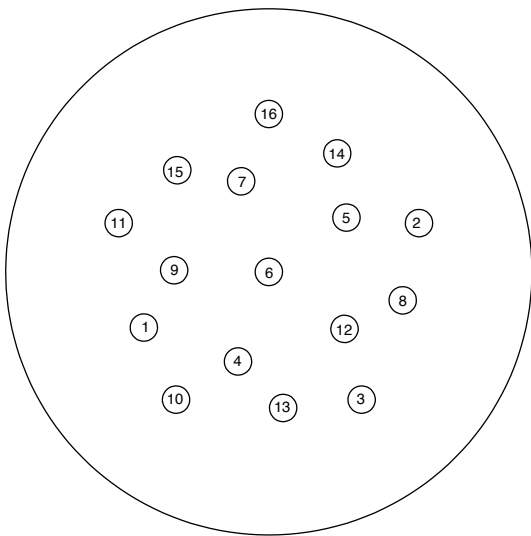
YOU WILL NEED

- 4mm Allen Key
- Socket tester or voltage tester
- Wall plugs suitable for your ceiling type
- 5x 5mm Screws
- A drill with a 5mm drill bit
- Philips head screwdriver
- A professional electrician
- The help of a friend

LOOM CONFIGURATION

Each loom is numbered and corresponds to a number on the fascia plate: #1 to #1, #2 to #2 and so on (see below).

NOTE: The numbering on the looms is located on the inside of the connectors. The fascia plate numbers are located on the inside of the steel connector holes.



CABLE LENGTHS (CM)

The cable lengths of the looms are shown below in centimetres. The longest drop is 3m from the bottom of the connector to the top of the pendant.

- 1 - 300
- 2 - 298
- 3 - 296
- 4 - 293
- 5 - 292
- 6 - 291
- 7 - 290
- 8 - 289
- 9 - 289
- 10 - 283
- 11 - 282
- 12 - 282
- 13 - 280
- 14 - 278
- 15 - 275
- 16 - 270

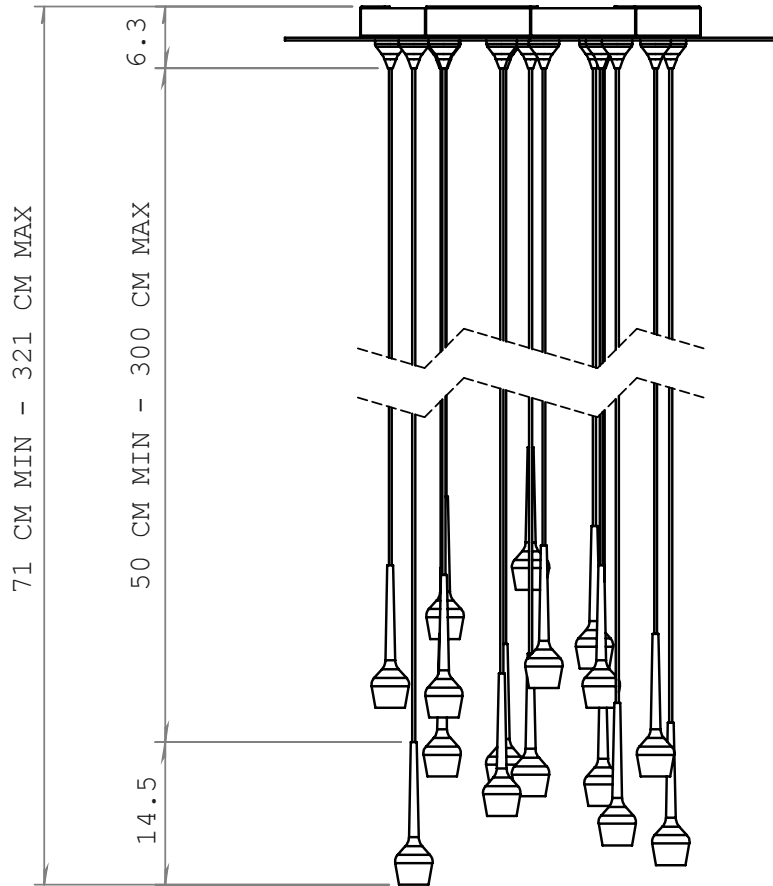
O
3
M
A
T
T
H
E
R
I
C
I
O
N

INSTALLATION INSTRUCTIONS CONTINUED
NITERÓI BY MATTHEW HILTON

RECOMMENDED MINIMUM AND MAXIMUM DROP LENGTHS

Should you require a shorter overall drop length, you can maintain the original length relationship between the looms by cutting the same set length from each cable. Be sure to add an extra 10cm to your desired cable length to allow the cable to connect comfortably inside the anchor box. Please find recommended minimum and maximum drop lengths below.

Once you have cut a cable, you need to strip back the wires to allow for connection and replace the appropriate cable gripper and connector.



0
4
M
A
T
T
H
E
W
H
I
L
T
O
N

INSTALLATION INSTRUCTIONS CONTINUED

NITERÓI BY MATTHEW HILTON

EXAMPLE HANGING LENGTH ABOVE THE LIGHT TABLE

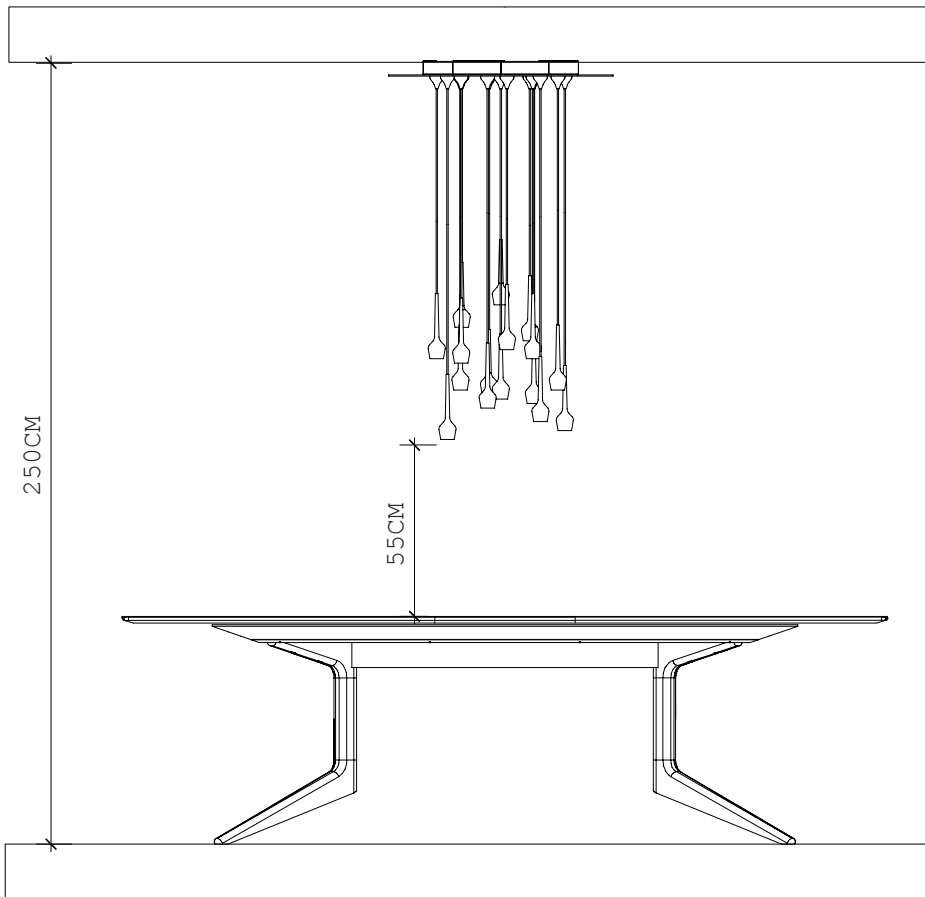
The below example illustrates how to determine the best cut length for the cables.

In this case study, the client wishes for the lamp to be set 55cm away from the top of the Light Table, measured to the longest drop length. The Light Table by Matthew Hilton has a height of 73.5cm, so the measurement from the floor to the longest drop of the light would be 128.5cm (73.5cm + 55cm). The ceiling height in this case study is 250cm. So the following calculation applies:

250cm - 128.5cm = 121.5cm total drop from ceiling to the longest drop on the light.

321cm (longest drop on light) - 121.5cm = 199.5cm of cable length to remove from each loom.

Remove 199.5cm from each cable to maintain the original cable length relationship, while achieving your optimal overall drop length.



0
5
M
A
T
T
H
E
W
H
I
L
T
O
N

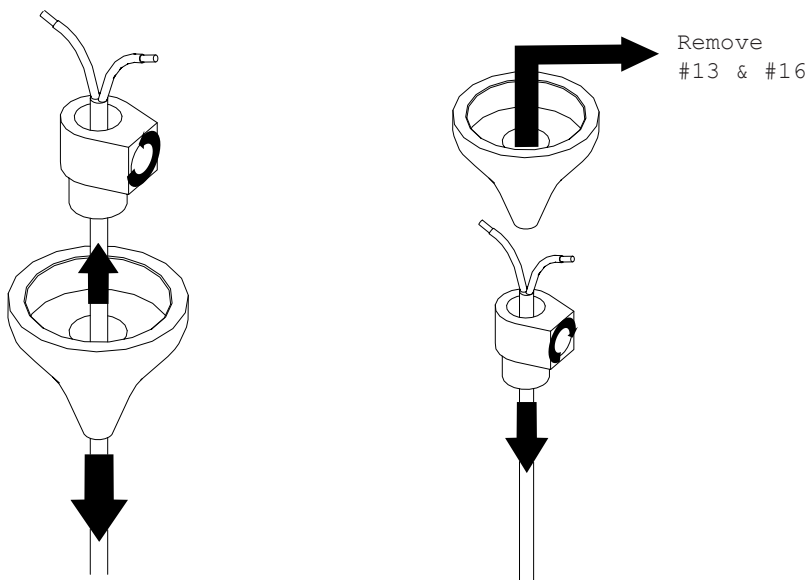
INSTALLATION INSTRUCTIONS CONTINUED

NITERÓI BY MATTHEW HILTON

INSTRUCTIONS

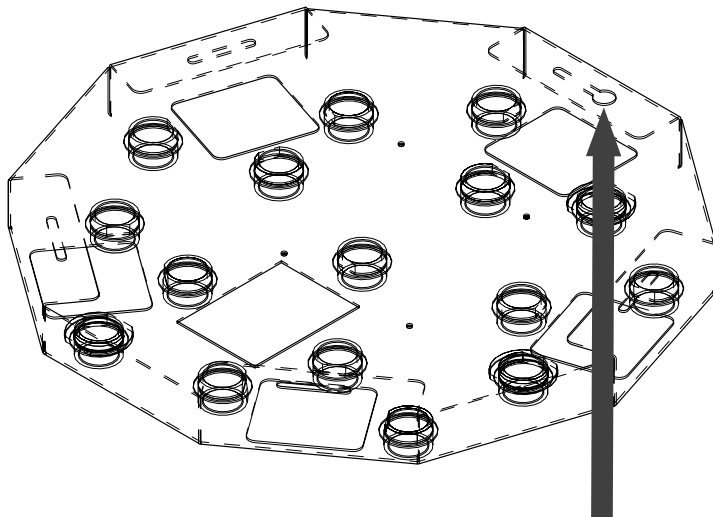
1) PREPARE TWO CONNECTORS FOR MOUNTING

- a) Locate looms #13 and #16. You will need to remove the connectors from these two looms, as these connectors will be used later to temporarily mount the fascia plate.
- b) Using a 4mm Allen key, release the cable gripper at the top of one of the cables, then slide off. Once the cable gripper is removed, slide off the connector. Set aside, being sure to keep track of the loom number, such as with masking tape.
- c) Repeat for the other loom then replace the cable grippers back onto the cables.



2) ATTACH ANCHOR BOX TO CEILING

- a) Determine the best placement for the light. Use a pencil to mark the ceiling with the position of one of the mounting holes.
- b) Drill a hole into the ceiling where marked, insert a wall plug into the hole, then drive a 5mm screw into the plug, leaving a small head clearance to allow the anchor box to slide into place.
- c) The anchor box can now be secured by sliding the keyhole slot onto the screw.

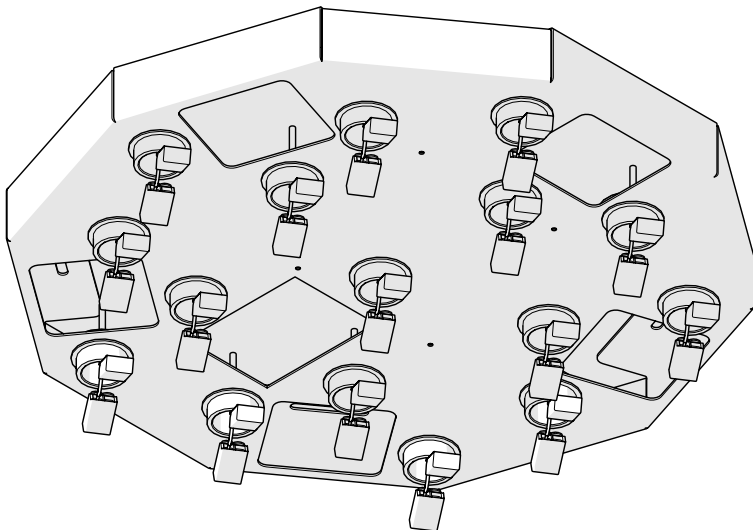


0
6
M
A
T
T
H
E
W
H
I
L
T
O
N

INSTALLATION INSTRUCTIONS CONTINUED

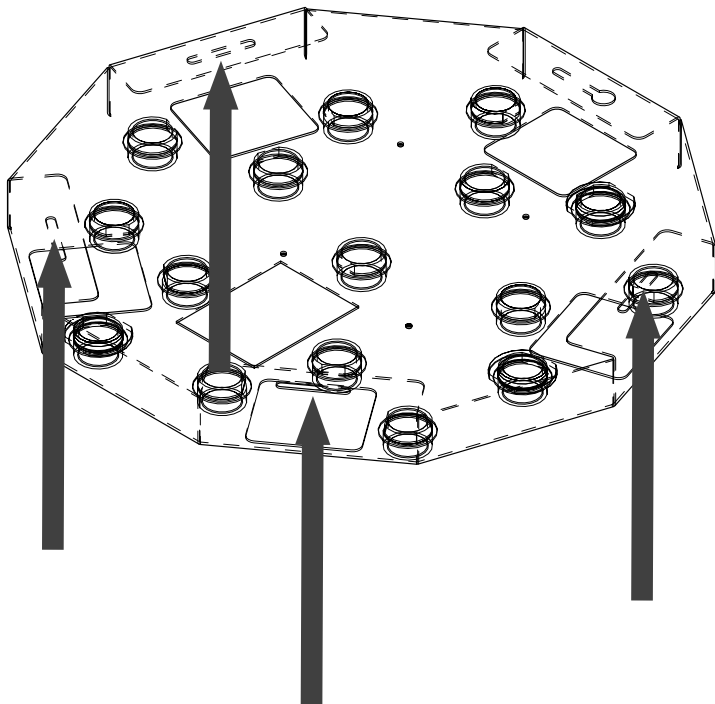
NITERÓI BY MATTHEW HILTON

d) There should be two electrical connectors coming out of each of the 16 holes in the anchor box. Any that may have been pushed inside during transport must be fed through in preparation for the next stage.



e) Using a pencil, mark the ceiling with the locations of the other four mounting slots in the anchor box. Remove the anchor box and drill the other four holes, then insert wall plugs into the holes.

f) Secure the anchor box once more by sliding the keyhole slots onto the screws. Next, drive screws into the remaining holes to secure it in place.



3) PERFORM THE WIRING

a) Once the anchor box is mounted in place, proceed with the connection of the transformers to the mains electrical feed.

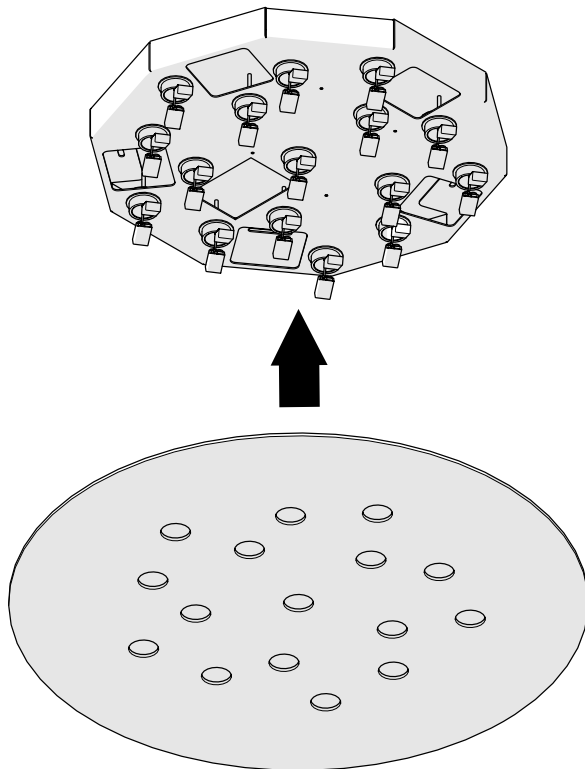
0
7
M
A
T
T
H
E
W
H
I
L
T
O
N

INSTALLATION INSTRUCTIONS CONTINUED

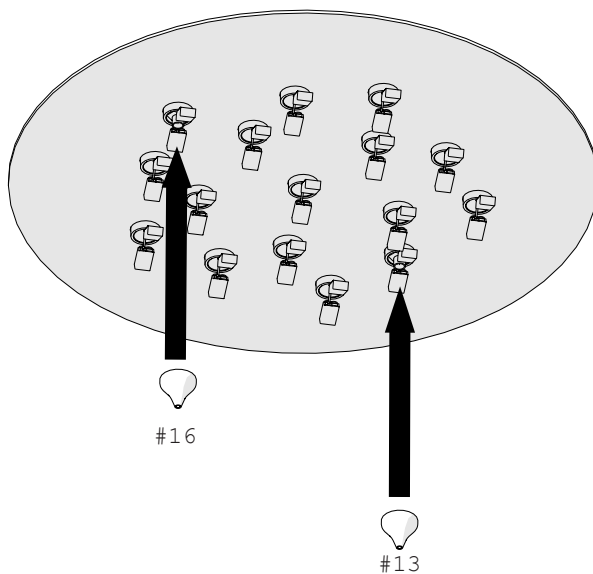
NITERÓI BY MATTHEW HILTON

4) ATTACH FASCIA PLATE

a) Position the fascia plate onto the anchor box. To do this align all 16 holes on the fascia plate with the corresponding 16 holes of the steel connectors. You need the help of friend to pull all the electrical connectors through the fascia plate as it is pushed into contact with the anchor box.



b) Secure the fascia plate to the anchor box with the two connectors, #13 and #16 which were removed earlier, by screwing them onto the corresponding steel connectors. Note that the numbering on the looms is located on the inside of the connectors. The fascia plate numbers are located on the inside of the steel connector holes.



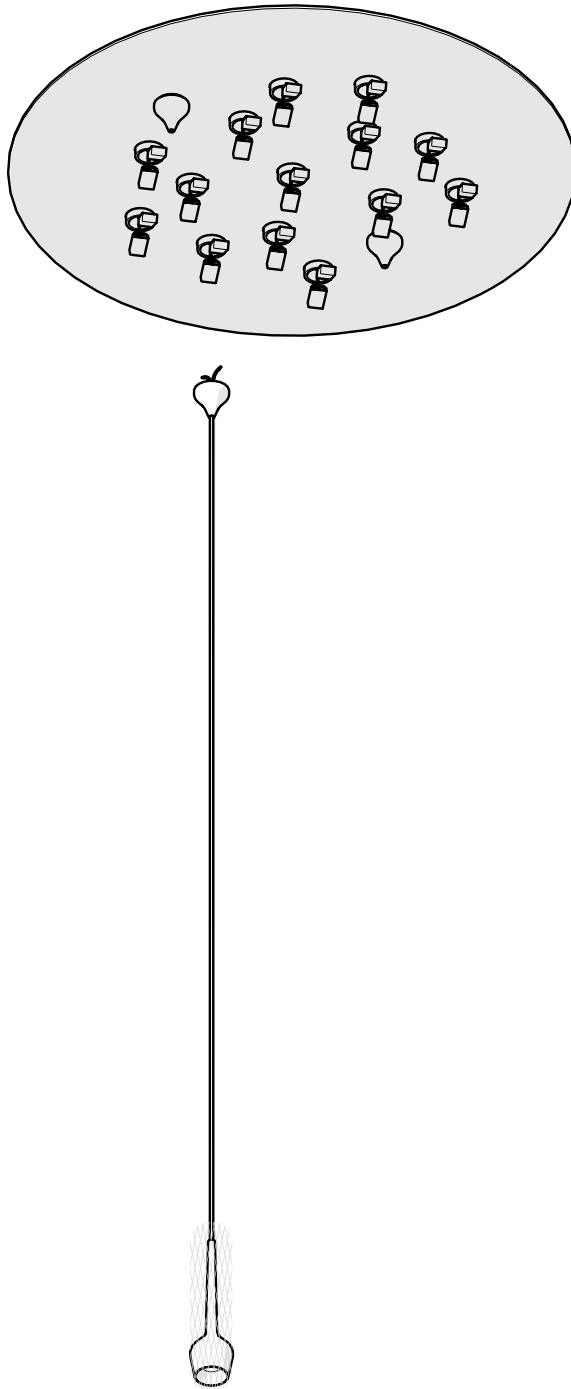
0
8
M
A
T
T
H
E
W
H
I
L
T
O
N

INSTALLATION INSTRUCTIONS CONTINUED

NITERÓI BY MATTHEW HILTON

5) ATTACH THE LOOMS

a) Remove loom #1 from it's box, being sure to keep the protective sleeve in place for protection, and prepare to connect it to the position marked #1 on the fascia plate (see page 3).

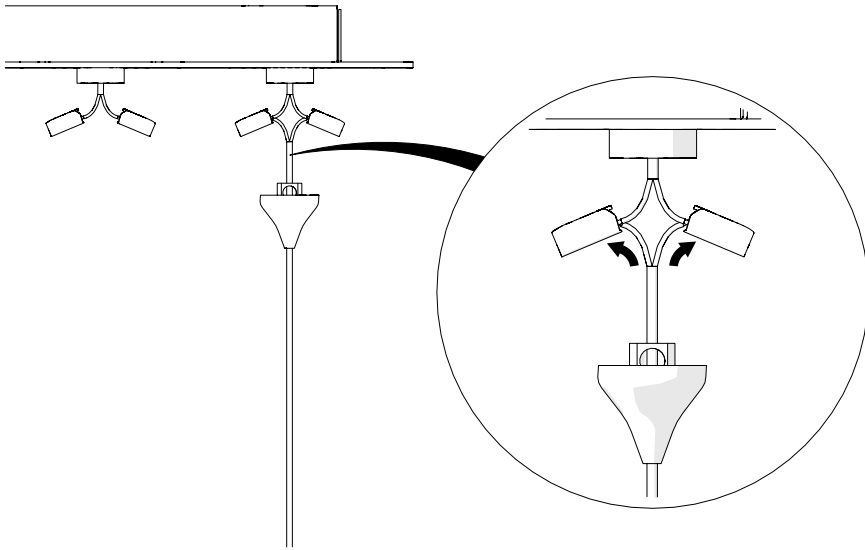


0
9
M
A
T
T
H
E
W
H
I
L
T
O
N

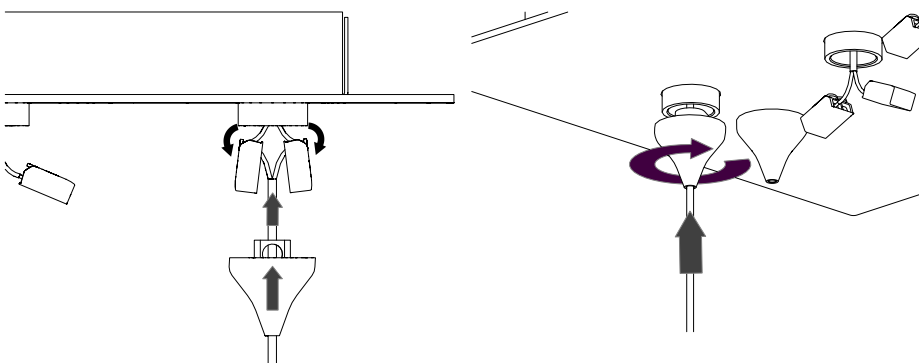
INSTALLATION INSTRUCTIONS CONTINUED

NITERÓI BY MATTHEW HILTON

b) Connect the cables coming out of the loom to the electrical connectors coming out of the anchor box. Ensure the white cable connects to the black cable slot on the electrical connector and the red with the red cable slot.



c) Push the electrical connectors up into the anchor box, and screw the connector onto the steel connector coming out of the fascia plate.



d) Repeat the above process to attach each of the other 13 looms, remembering to keep the protective sleeve on each pendant for protection.

1
0
M
A
T
T
H
E
W
H
I
L
T
O
N

INSTALLATION INSTRUCTIONS CONTINUED

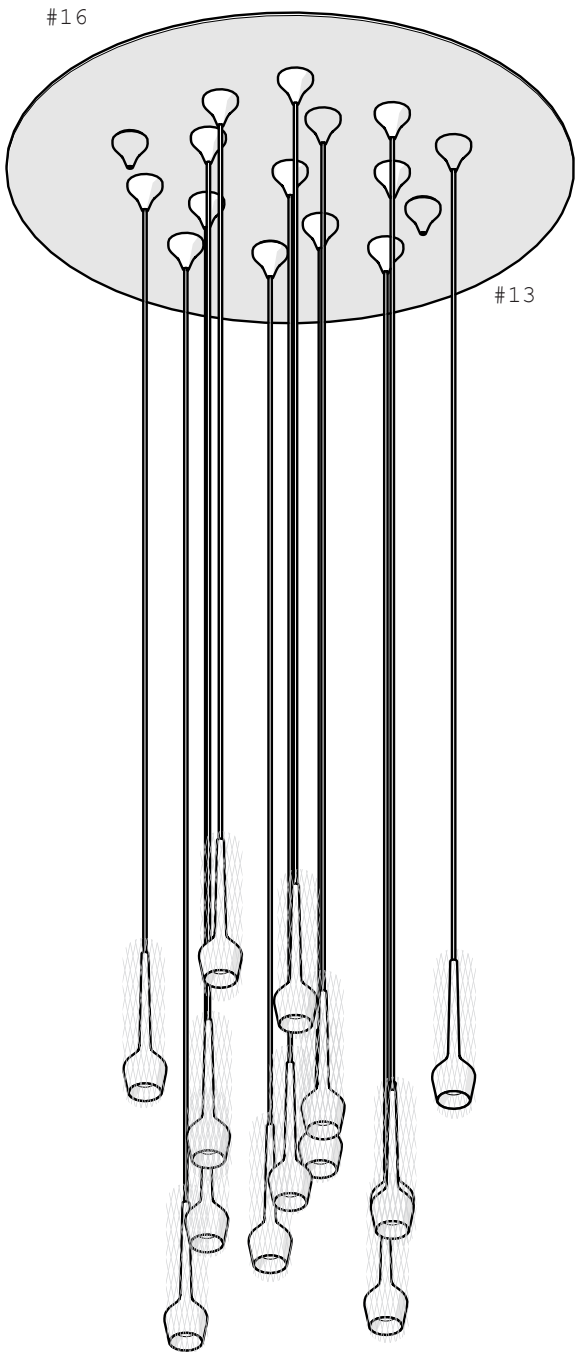
NITERÓI BY MATTHEW HILTON

6) REATTACH LOOMS #13 AND #16

a) The two connectors, #13 and #16, used to hold the fascia plate in place, can now be removed. They should be replaced onto their looms, along with the cable gripper (as shown on page six) and connected by following the same steps described in Step 5.

1
1

M
A
T
T
H
E
W
H
I
L
H
I
O
N

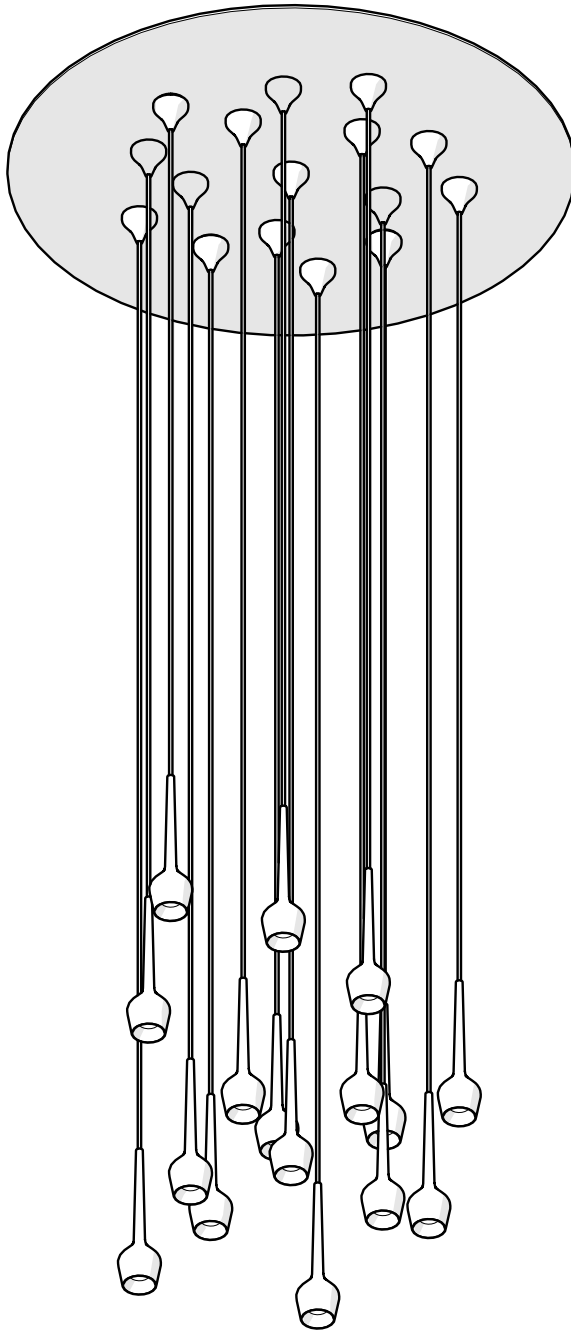


INSTALLATION INSTRUCTIONS CONTINUED

NITERÓI BY MATTHEW HILTON

7) REMOVE MESH SLEEVES

a) Once all 16 looms are connected, the protective sleeves can be removed. The light is now ready for operation and can be connected to the power.



1
2
M
A
T
T
H
E
W
H
I
L
H
I
O
N