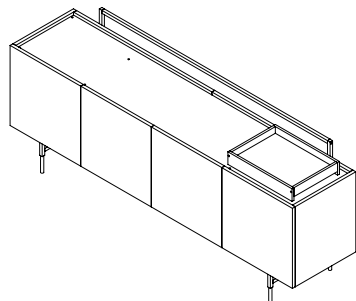


ASSEMBLY INSTRUCTIONS

TRUNK LOW CABINET BY NERI&HU



PARTS

- 4x components of metal frame
- 1x cabinet body
- 3x shelves
- 2x hinged cabinet doors
- 1x wooden storage box

HARDWARE

- 10x M8x25 Socket Cap Screw
- 10x M8x10 Socket Cap Screw



- 16x Pz1x25 Pozidrive screws
- 4x Rubber O-rings



YOU WILL NEED

- 8mm heavy duty Allen Key
- Pozidrive screwdriver or cordless drill with appropriate Pozidrive attachment
- 2x appropriately sized G-clamps with a protective clamping surface
- The help of a friend

NOTES

NOTE 1: Be certain that all assembly is carried out on a flat and stable surface. This will ensure a good final result. Reverse the steps to disassemble the piece.

NOTE 2: Your furniture arrives packed in numerous layers that protect it during transport. It is important that you remove the packaging carefully to avoid damaging your furniture. Refer to our information sheet "Unpacking Your Furniture" for further details.

NOTE 3: Great care is required when assembling our products . Use blankets to soften the assembly surface - hard surfaces such as wood or stone flooring may damage the furniture if in direct contact.

NOTE 4: We advise that assembly and disassembly of De La Espada furniture is undertaken by a minimum of 2 people.

NOTE 5: When screwing in bolts, tighten well, but be sure NOT TO OVERTIGHTEN. This can cause the thread to strip thus resulting in A poor connection.

NOTE 6: While you work, be sure all connections are flush with no gaps.

0
1
N
E
R
I
&
H
U

ASSEMBLY INSTRUCTIONS CONTINUED

TRUNK LOW CABINET

IMPORTANT! ALWAYS USE GLOVES WHEN HANDLING BRASS PRODUCTS.

Our brass is uncoated to embrace the natural patina that will develop over time. Never handle brass with your bare hands, as the oils in your skin will cause the surface to oxidise more quickly in the areas you touch, highlighting your finger prints. If you ordered your product in brass, you will find white gloves in the supplied hardware box.

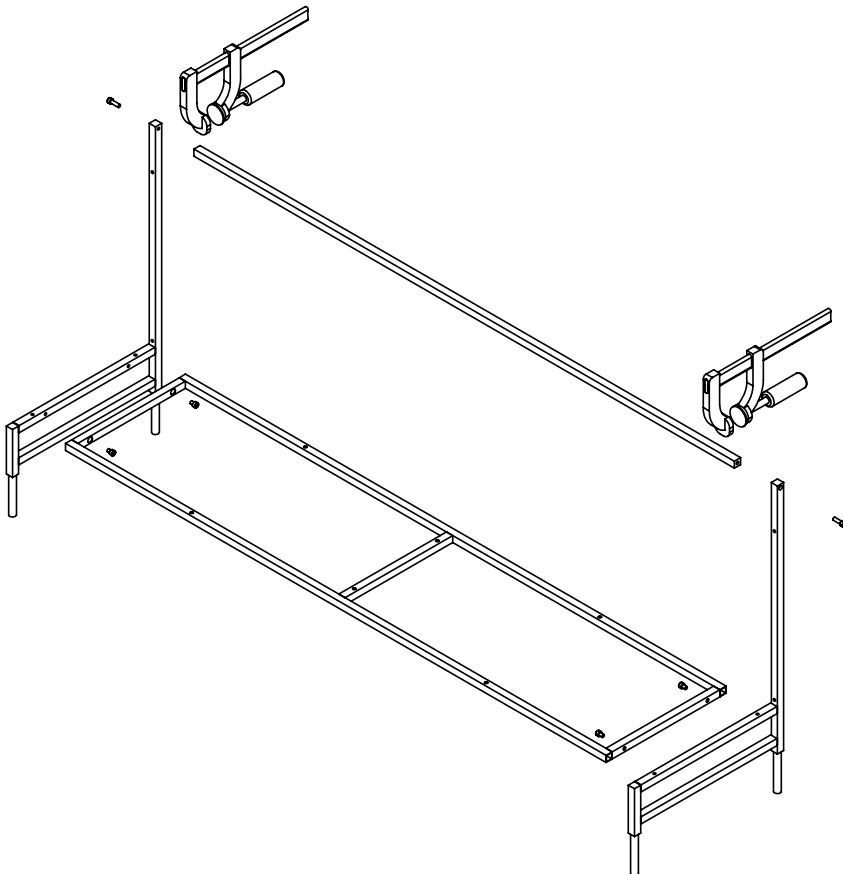
INSTRUCTIONS

1) ASSEMBLE METAL FRAME

a) Unpack components and lay them out so they are in the correct orientation.

b) Assemble the frame by aligning the holes in the corresponding parts, inserting the relevant screws into each, and tightening with an Allen Key. Use 2x M8x25 Socket Cap Screws for the uppermost part of the frame, and 4x M8x10 Socket Cap Screws for the base of the frame.

IMPORTANT: While you work, use the G-clamps to align the components at the uppermost part of the frame (as shown below). It is important to use G-clamps with an appropriate barrier material to protect the brass.



0
2
N
E
R
I
&
H
U

ASSEMBLY INSTRUCTIONS CONTINUED

TRUNK LOW CABINET

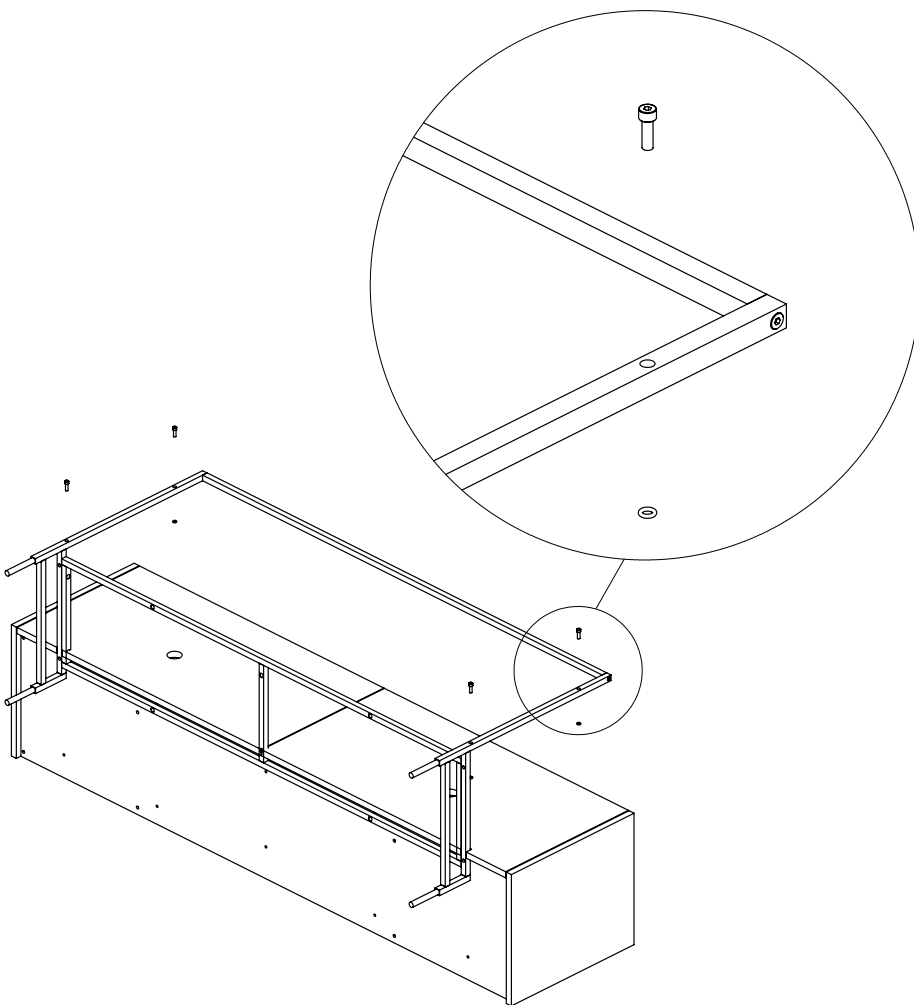
2) ATTACH THE FRAME TO THE CABINET BODY

a) Place the cabinet body face down on a clean, soft surface on the floor.

b) Turn over the assembled brass frame and place it onto the cabinet body, being sure to align the holes in each part.

c) Insert 4x M8x25 Socket Cap Screws through the back of the brass frame, then place a rubber O-ring onto the end of each before inserting the screws into the back panel of the cabinet body. The rubber O-ring should then sit between the brass frame and the cabinet body to protect the lacquer from getting scratched. Tighten with an Allen Key.

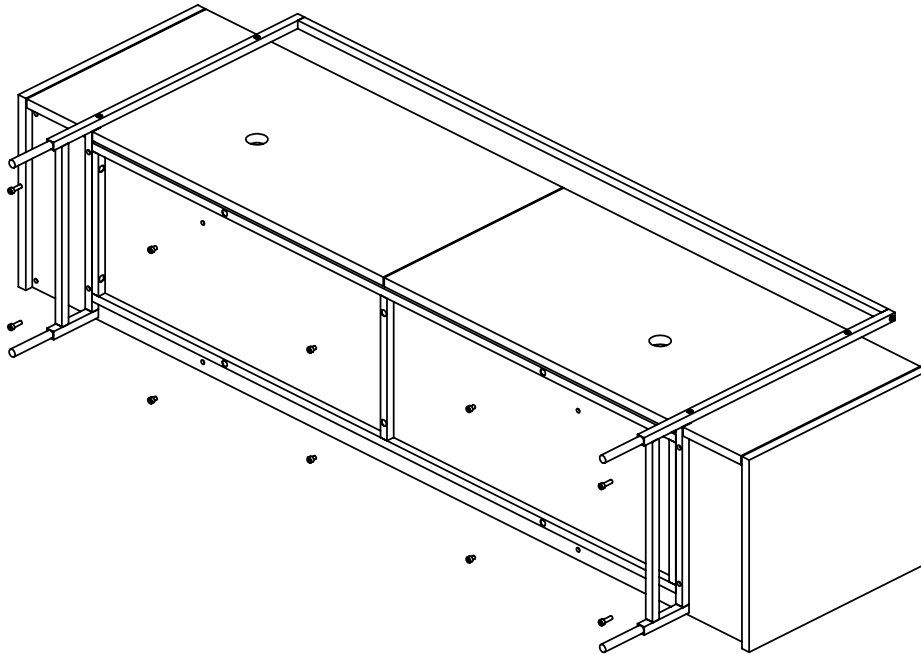
0
3
N
E
R
I
&
H
C



ASSEMBLY INSTRUCTIONS CONTINUED

TRUNK LOW CABINET

d) Insert 8x M8x10 Socket Cap Screws through the black painted steel base of the metal frame, and 4x M8x25 Socket Cap Screws into the brass sides of the metal frame, driving all through the bottom panel of the cabinet body. Tighten with an Allen Key.

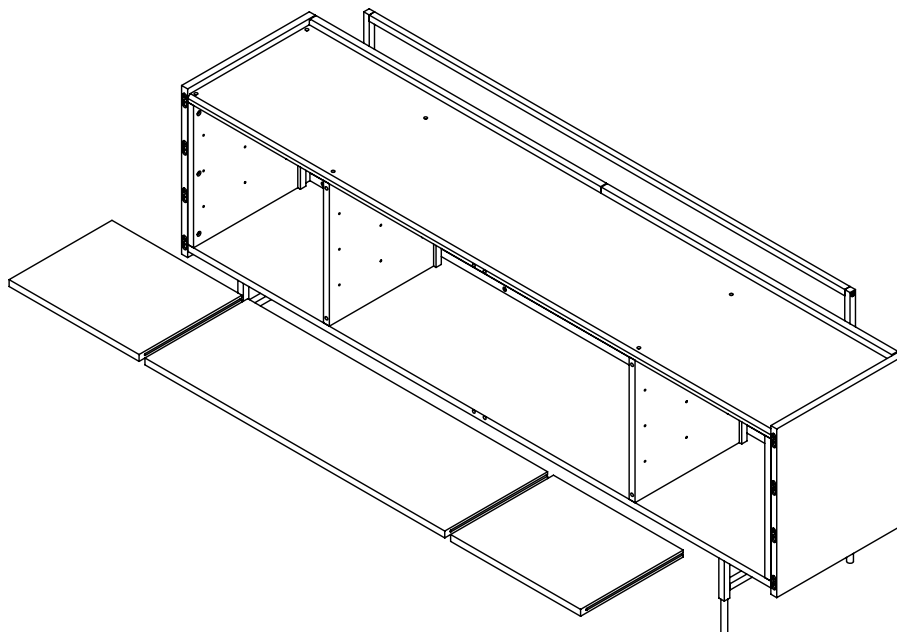


3) INSERT THE SHELVES

a) With the help of a friend, carefully turn the cabinet into its natural upright position.

b) Determine your preferred height for each shelf and move the pins on the inside of the cabinet accordingly.

c) Insert the shelves, guiding the grooves on the sides of each shelf onto the pins.

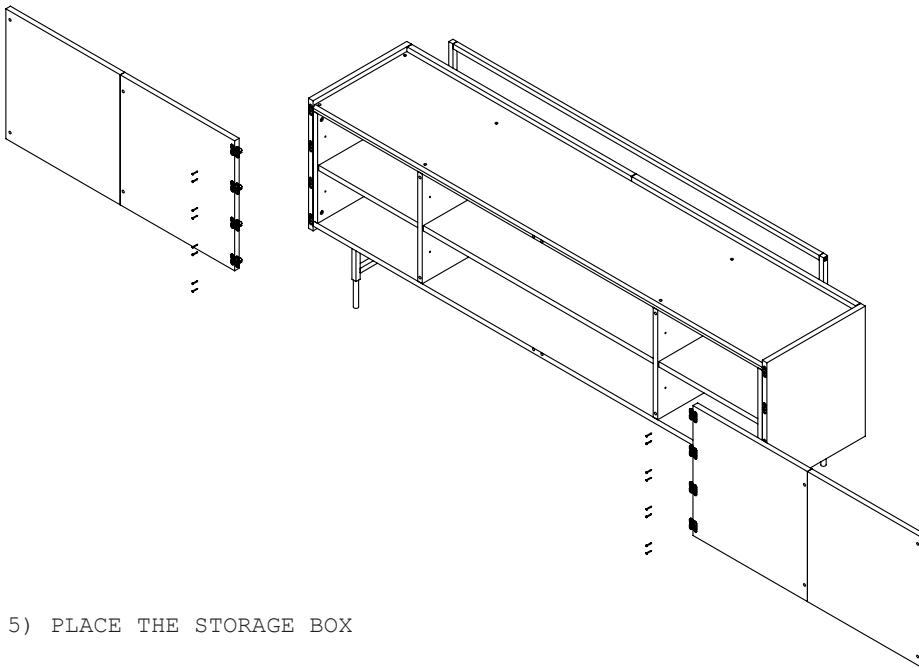


ASSEMBLY INSTRUCTIONS CONTINUED

TRUNK LOW CABINET

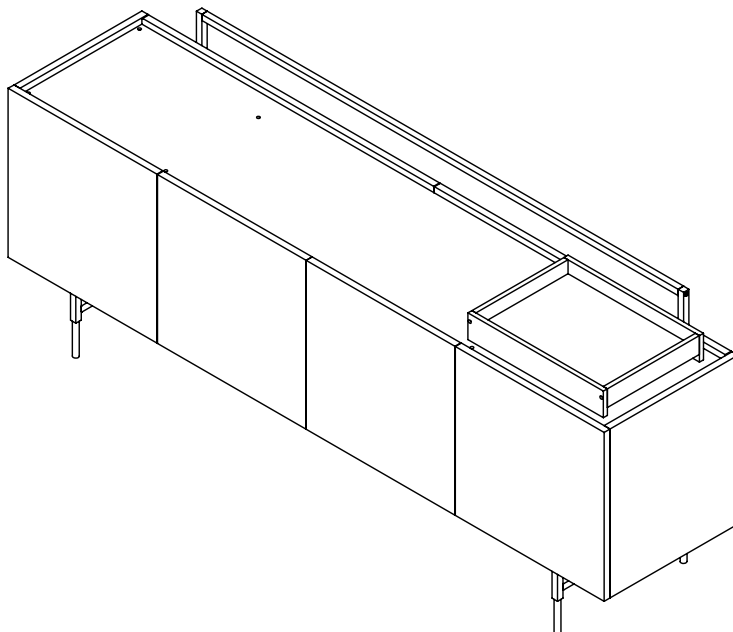
4) ATTACH DOORS

- a) Determine correct placement and orientation for doors by referring to number markings.
- b) Attach doors by inserting the 16x Pz1x25 Pozidrive screws into the hinges and tightening with the Pozidrive screwdriver.



5) PLACE THE STORAGE BOX

- a) Place the wooden storage box in your preferred location. This can be placed inside the cabinet, or on top as pictured below.
- b) Assembly is now complete and your cabinet is ready for use.



0
5
N
E
R
I
&
H
C