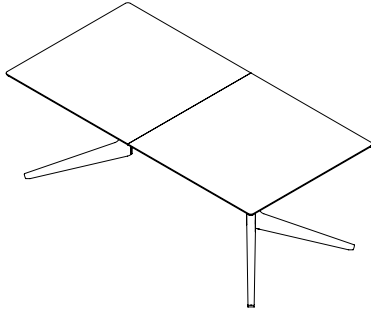


**ASSEMBLY INSTRUCTIONS**

LIGHT EXTENDING TABLE BY MATTHEW HILTON



PARTS

- 1x Tabletop
- 2x Extension leaves
- 2x Leg frames
- 1x Cross beam

Hardware:

(4x) Universal connector

(4x) Metal dowel



(8x) M8x40 bolts

(3x) M8x60 bolts



(11x) washers



YOU WILL NEED

- 6mm Allen Key
- The help of a friend

NOTES

NOTE 1: Be certain that all assembly is carried out on a flat and stable surface. This will ensure a good final result. Reverse the steps to disassemble the piece.

NOTE 2: Your furniture arrives packed in numerous layers that protect it during transport. It is important that you remove the packaging carefully to avoid damaging your furniture. Refer to our information sheet "Unpacking Your Furniture" for further details.

NOTE 3: Great care is required when assembling our products . Use blankets to soften the assembly surface - hard surfaces such as wood or stone flooring may damage the furniture if in direct contact.

NOTE 4: We advise that assembly and disassembly of De La Espada furniture is undertaken by a minimum of 2 people.

NOTE 5: When screwing in bolts, tighten well, but be sure NOT TO OVERTIGHTEN. This can cause the thread to strip thus resulting in a poor connection.

O  
1  
M  
A  
T  
T  
H  
E  
W  
H  
I  
L  
T  
O  
N

**ASSEMBLY INSTRUCTIONS CONTINUED**  
**LIGHT EXTENDING TABLE**

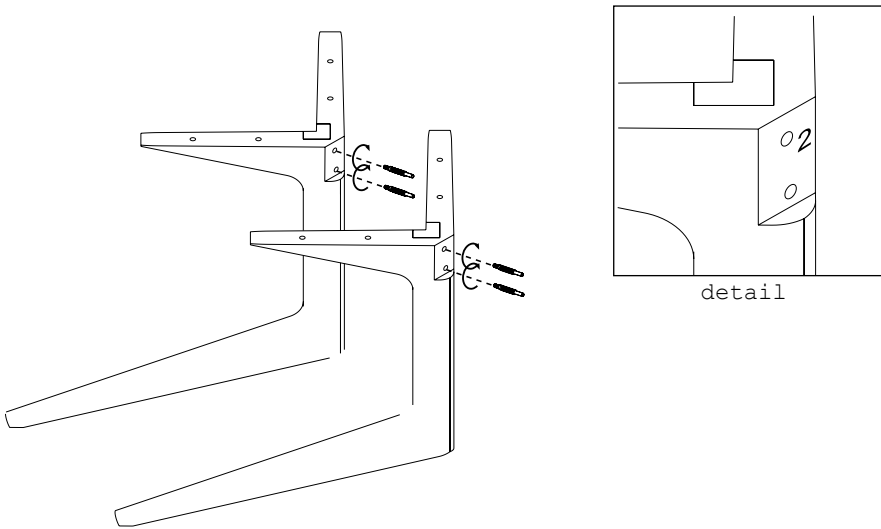
NOTE 6: While you work, be sure all connections are flush with no gaps.

NOTE 7: After assembly, ensure that the table is resting on a level surface

**INSTRUCTIONS**

**1. ATTACH LEGS TO THE CROSS BEAM**

a) Insert metal dowels into the holes on the side of the leg frames by screwing them in a clockwise direction until tight.

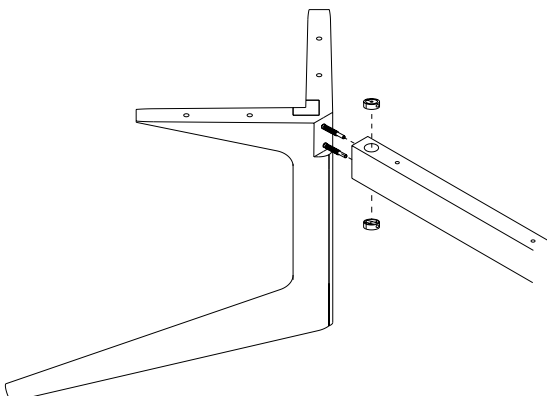


b) Match the number on each leg frame with the number marking on the tabletop and crossbeam.

c) Attach one leg frame to the cross beam by inserting the metal dowels on the leg into the universal connectors on the crossbeam. Tighten with an Allen Key.

NOTE: The recessed holes for the M8 bolts on the cross beam should face downwards.

Repeat the steps to connect the second leg frame.



0  
2  
M  
A  
T  
T  
H  
E  
W  
H  
I  
L  
E  
I  
N

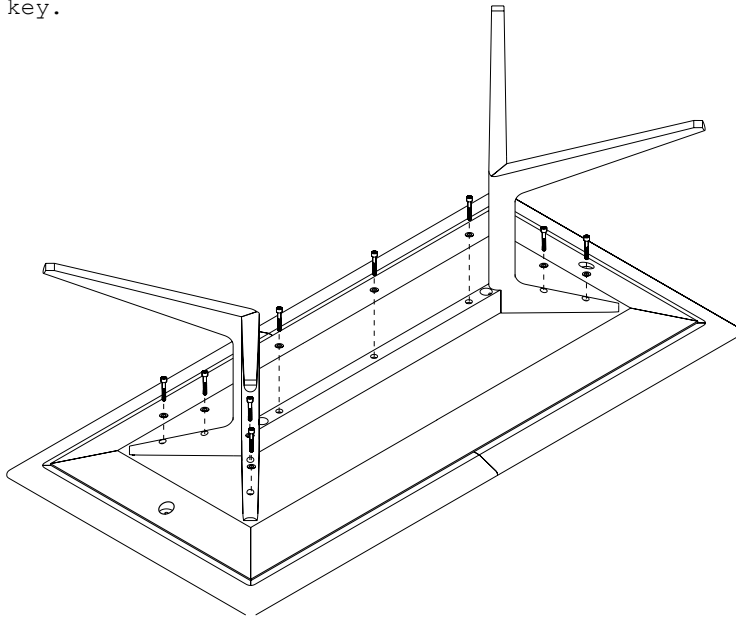
**ASSEMBLY INSTRUCTIONS CONTINUED**  
**LIGHT EXTENDING TABLE**

2) ATTACH LEGS AND CROSS BEAM TO TABLETOP

Place the tabletop upside down a clean, soft surface such as blanket or carpet on the floor.

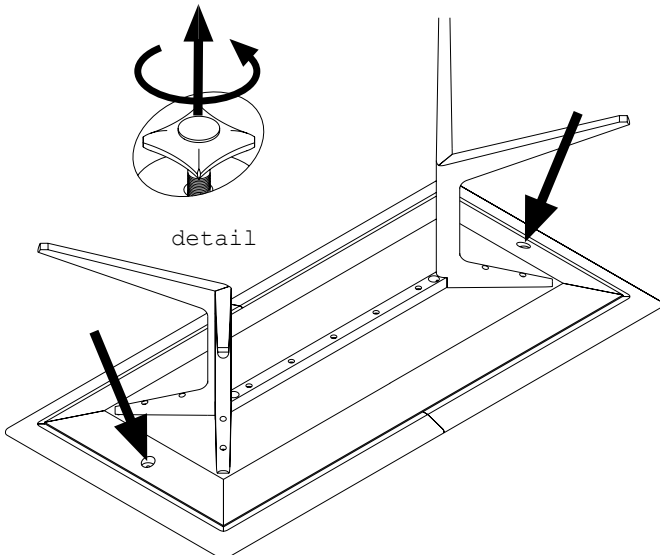
Match the number on the leg frames with the number markings on the tabletop.

Align the holes on the cross beam and leg frames with the holes on the tabletop. Insert washers and the M8 bolts (3 long into the cross beam, 8 short into the legs) and tighten with an Allen key.



d) Notice on the underside of the tabletop there are two recessed holes. In these holes you will find a locking mechanism which allows you to release the tabletop when desired, allowing it to be opened.

Important: unlock mechanism only when the table is in the up-right position.



0  
3  
M  
A  
T  
T  
H  
E  
W  
H  
I  
L  
H  
I  
O  
N

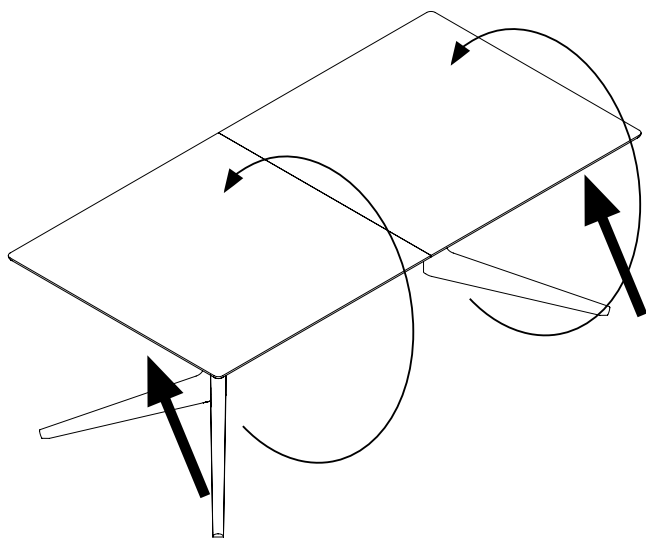
**ASSEMBLY INSTRUCTIONS CONTINUED**

LIGHT EXTENDING TABLE

3) **TURN THE TABLE INTO AN UPRIGHT POSITION**

With the help of a friend, carefully turn the table over into an upright position, taking care not to place any weight/force on the table legs while turning.

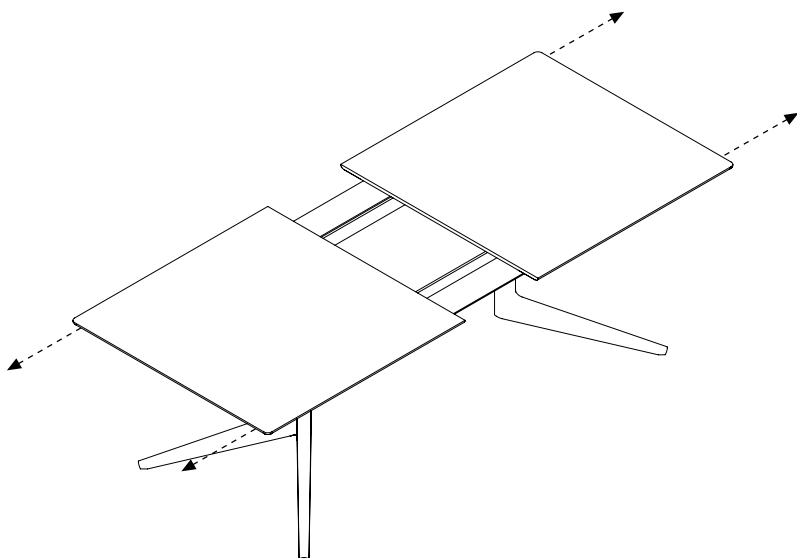
Once the table is in an upright position, you can release the locking mechanism if desired.



4) **EXTENDING THE TABLE**

a) To extend the table, first unlock both mechanisms located on the underside of the table. With the help of a friend, carefully and simultaneously pull both panels from the outer corners as indicated.

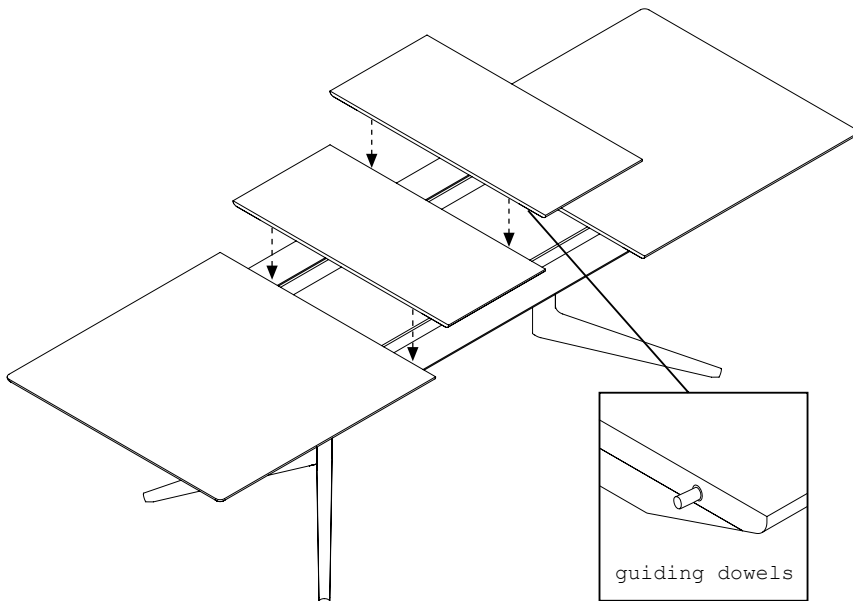
Please take care when opening the tabletops, pulling equally on each side so that the system is not put under undue stress.



O  
4  
M  
A  
T  
T  
H  
E  
W  
H  
I  
L  
H  
I  
C  
N

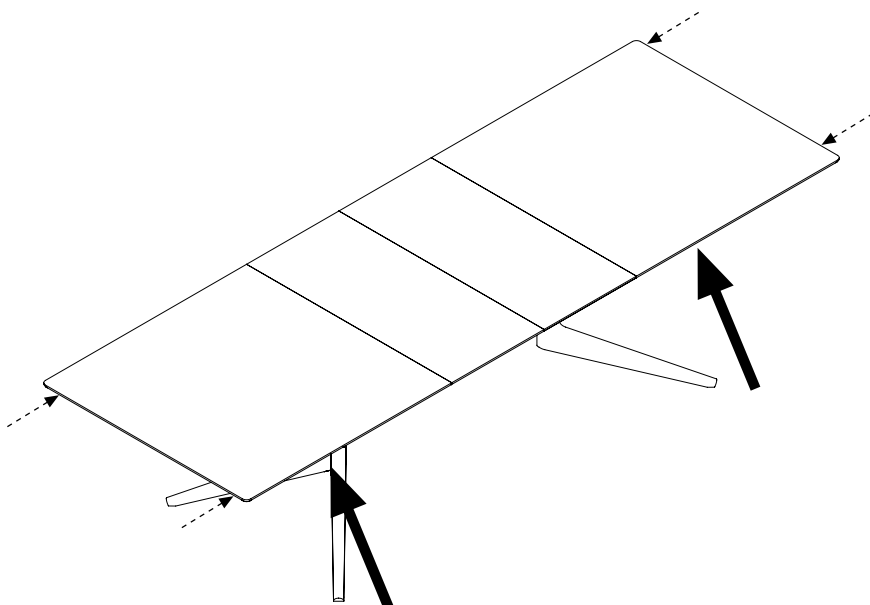
**ASSEMBLY INSTRUCTIONS CONTINUED**  
**LIGHT EXTENDING TABLE**

b) With the table fully open, place one or both extension leaves (as desired) into position, carefully connecting all guiding dowels with their corresponding holes.



c) With the extension leaves in place, join the panels by pushing the outer corners of the tabletops simultaneously, with the help of a friend. Next, lock the mechanism on both sides. The table is now extended and ready for use.

Note: NEVER carry, lift or move the table by the upper leaves as this may damage the table. Always move the table only by the angled subframe that sits beneath the tabletop. Remove both extension leaves, close and lock the tabletop before moving.

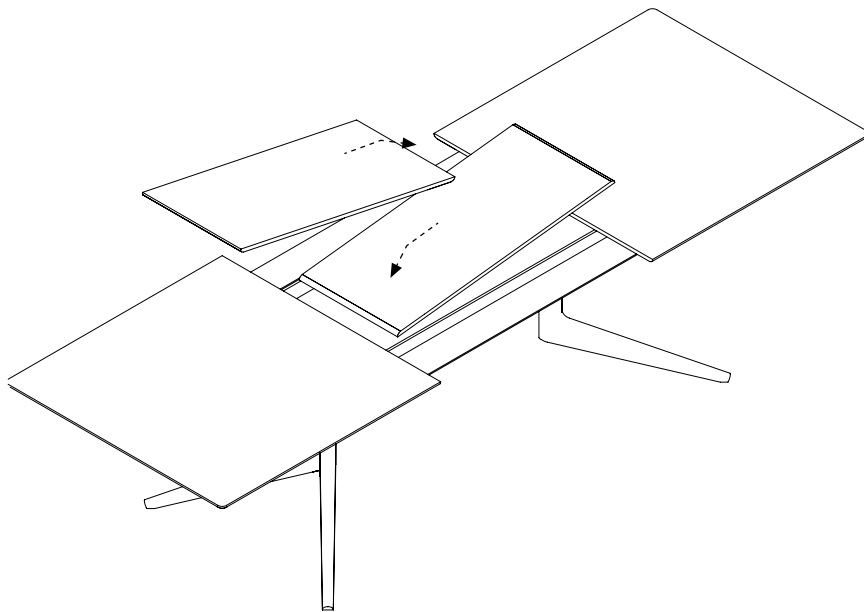


0  
5  
M  
A  
T  
T  
H  
E  
W  
H  
I  
L  
T  
O  
N

**ASSEMBLY INSTRUCTIONS CONTINUED**  
**LIGHT EXTENDING TABLE**

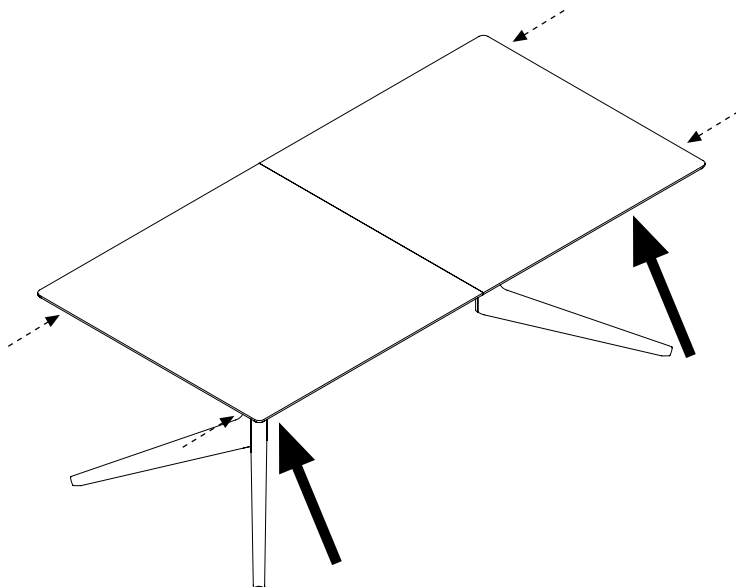
STORING THE EXTENSION LEAVES

a) When desired, the extension leaves can be stored within the table as follows. One leaf should be placed face down into the fabric lined compartment. The other leaf should be placed face up on top of the first leaf, so the felt pads on the bottom of the two leaves meet.



b) Join the panels by pushing the outer corners of the tabletop simultaneously with help from a friend. Next, lock the mechanism on both sides.

The table is now closed and ready to use.



0  
6  
M  
A  
T  
T  
H  
E  
W  
H  
I  
L  
H  
I  
C  
N