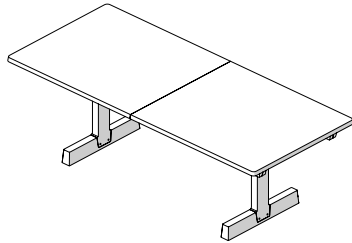


ASSEMBLY INSTRUCTIONS

REFECTORY EXTENDING TABLE BY MATTHEW HILTON



PARTS

- 1x Tabletop
- 2x Extension leaves
- 2x Leg frames
- 1x Cross beam

HARDWARE

- (2x) Universal connector
- (2x) Metal dowel



- (15x) M8x80 Caphead screw



- (15x) M8 Washers



YOU WILL NEED

- 6mm Allen Key
- The help of a friend

NOTES

NOTE 1: Be certain that all assembly is carried out on a flat and stable surface. This will ensure a good final result. Reverse the steps to disassemble the piece.

NOTE 2: Your furniture arrives packed in numerous layers that protect it during transport. It is important that you remove the packaging carefully to avoid damaging your furniture. Refer to our information sheet "Unpacking Your Furniture" for further details.

NOTE 3: Great care is required when assembling our products. Use blankets to soften the assembly surface - hard surfaces such as wood or stone flooring may damage the furniture if in direct contact.

NOTE 4: We advise that assembly and disassembly of De La Espada furniture is undertaken by a minimum of 2 people.

NOTE 5: When screwing in bolts, tighten well, but be sure NOT TO OVERTIGHTEN. This can cause the thread to strip thus resulting in a poor connection.

NOTE 6: While you work, be sure all connections are flush with no gaps.

NOTE 7: After assembly, ensure that the table is resting on a level surface.

O
1
M
A
T
T
H
E
W
W
H
I
T
L
I
N

ASSEMBLY INSTRUCTIONS CONTINUED
REFECTORY EXTENDING TABLE

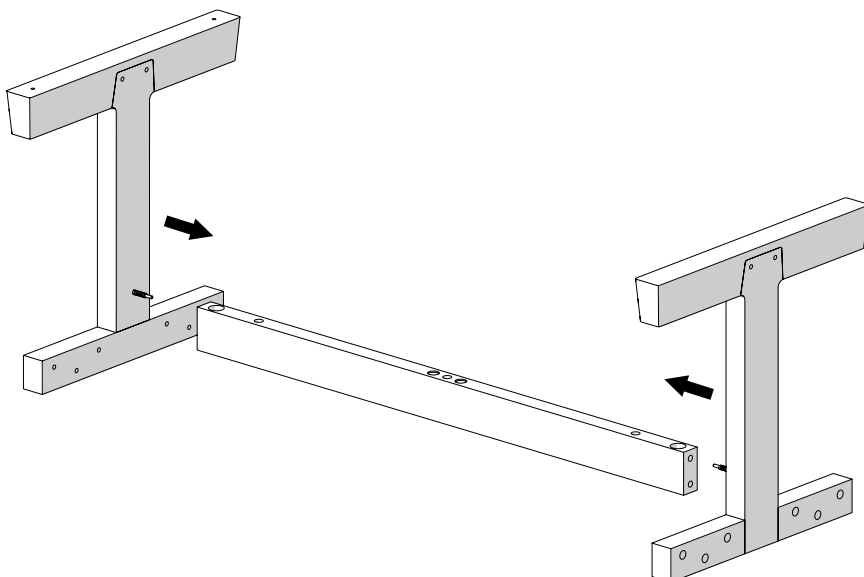
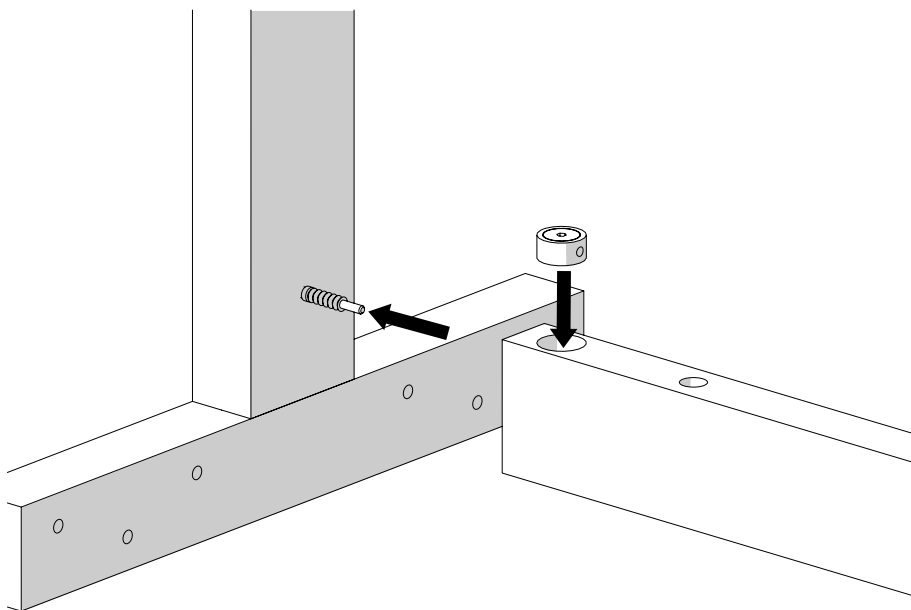
INSTRUCTIONS

1) ATTACH LEGS TO THE CROSS BEAM

a) Place the leg frames and cross beam upside down onto a clean, soft surface such as blanket or carpet on the floor. Place them into position relative to one another, following the number markings.

b) Insert metal dowels into the holes on the side of the leg frames by screwing them in a clockwise direction until tight. Insert the Universal Connectors into the rebates in the cross beam.

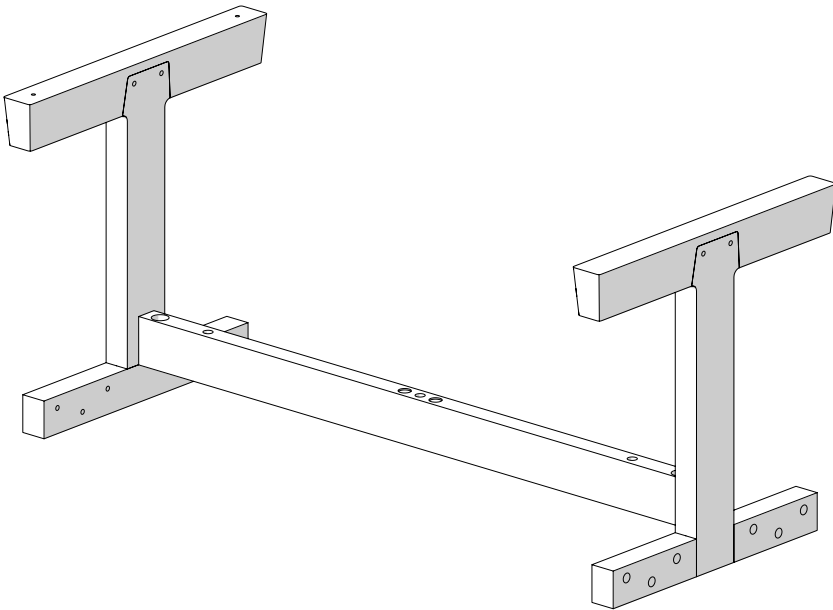
c) Push the parts together while guiding the metal dowels into the Universal Connectors. Tighten with an Allen key.



0
2
M
A
T
T
H
E
W
H
I
L
F
I
C
I
N

ASSEMBLY INSTRUCTIONS CONTINUED
REFECTORY EXTENDING TABLE

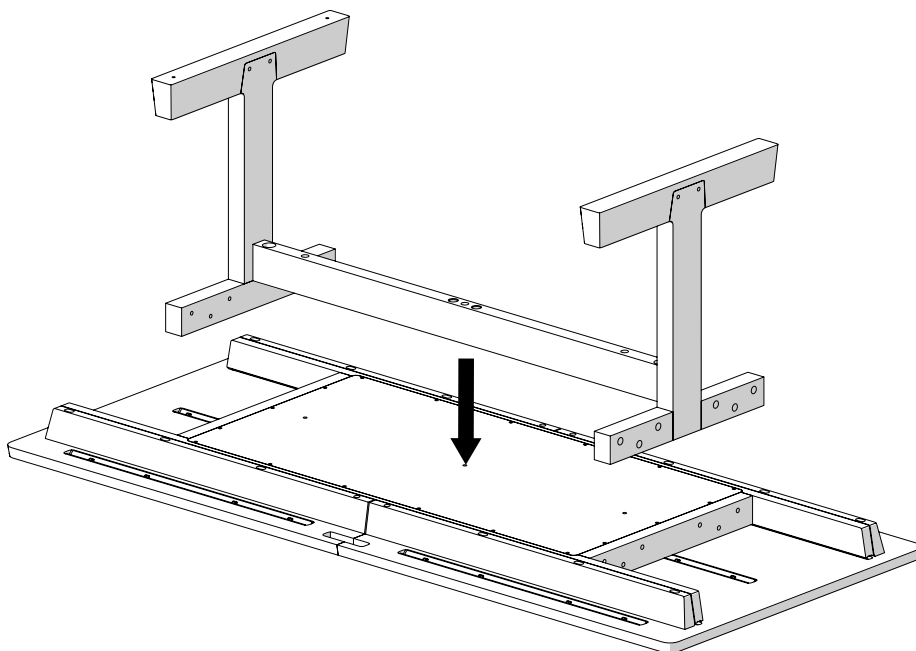
d) The assembly should now look like this.



2) ATTACH LEGS AND CROSS BEAM TO TABLETOP

a) Place the tabletop upside down onto a clean, soft surface such as blanket or carpet on the floor.

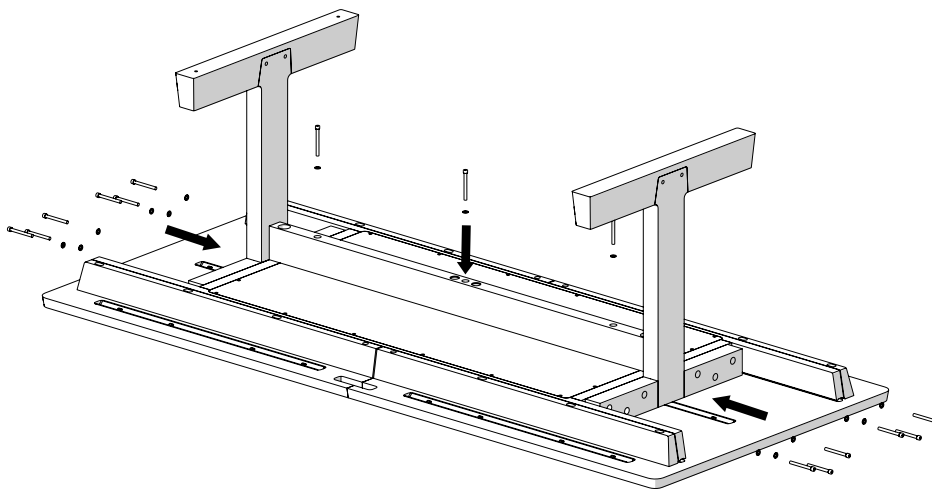
b) Place the leg frame/cross beam assembly onto the underside of the tabletop, matching the number markings and aligning the pre-drilled holes.



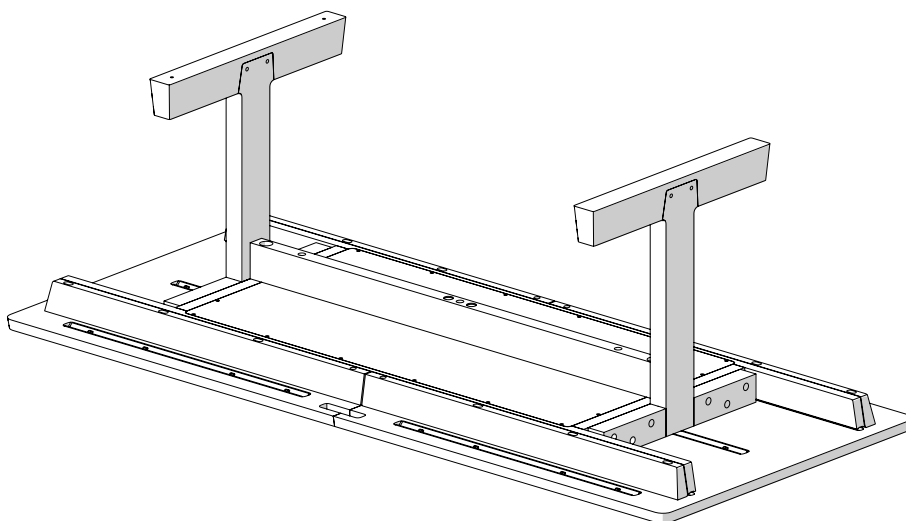
0
3
M
A
T
T
H
E
W
H
I
L
F
I
O
N

ASSEMBLY INSTRUCTIONS CONTINUED
REFECTORY EXTENDING TABLE

c) Insert the M8x80 Caphead screws with washers into the pre-drilled holes where the parts connect, and tighten with an Allen key.



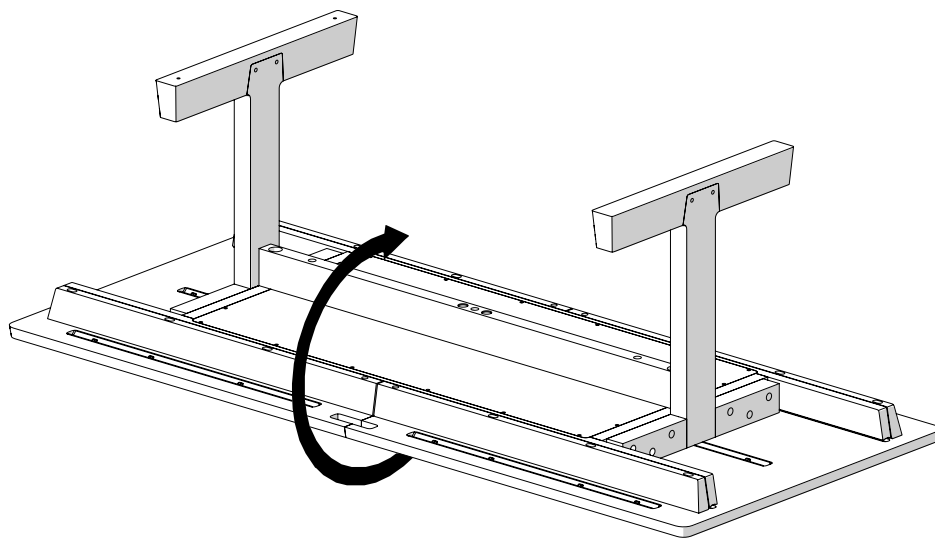
d) The assembly should now look like this.



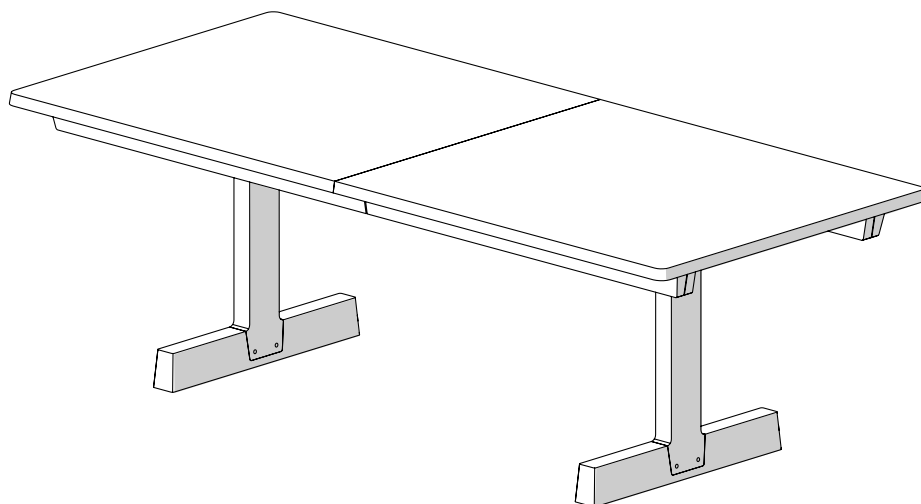
0
4
M
A
T
T
H
E
W
H
I
L
T
I
O
N

ASSEMBLY INSTRUCTIONS CONTINUED
REFECTORY EXTENDING TABLE

- 3) TURN THE TABLE INTO AN UPRIGHT POSITION
a) With the help of a friend, carefully turn the table over into an upright position, taking care not to place any weight/force on the table legs while turning.



Once the table is in an upright position, you can release the locking mechanism, if desired.

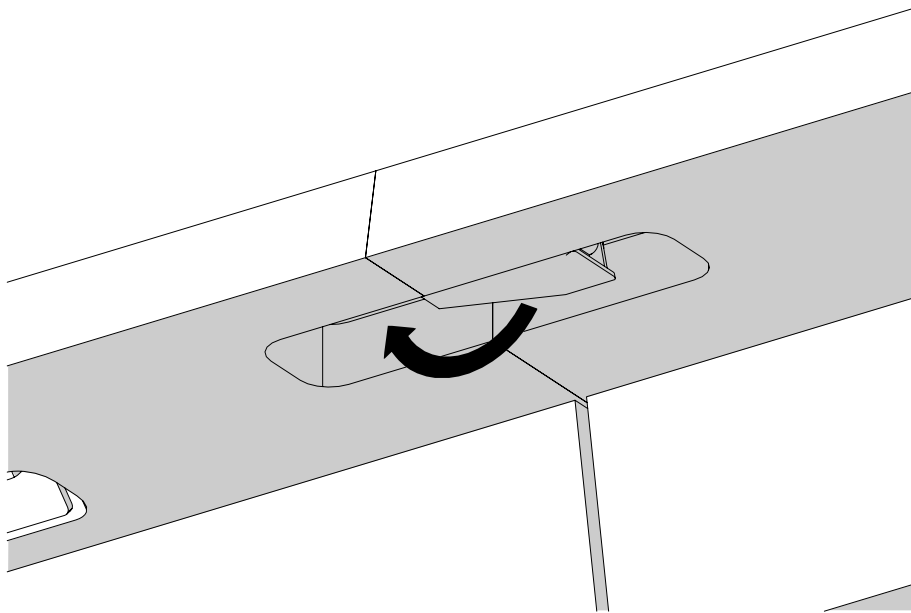


0
5
M
A
T
T
H
E
W
H
I
L
E
I
C
O
N

ASSEMBLY INSTRUCTIONS CONTINUED
REFECTORY EXTENDING TABLE

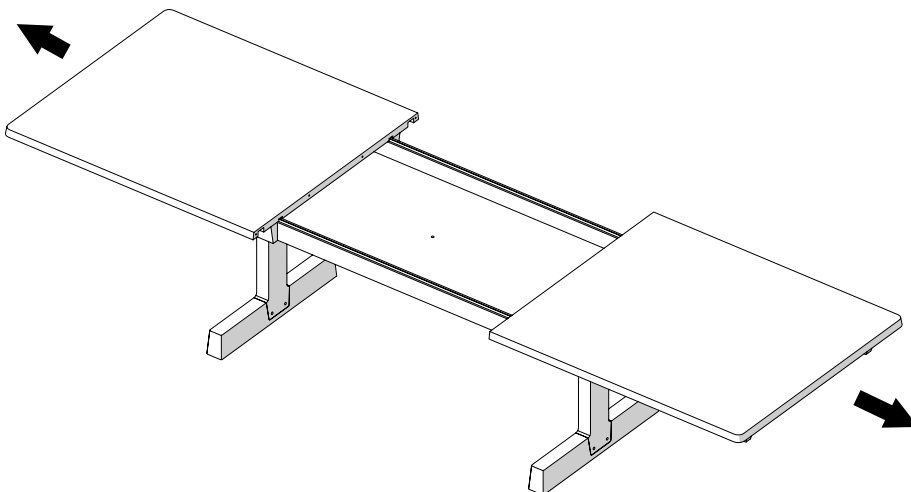
4) EXTENDING THE TABLE

a) Notice on the underside of the tabletop, there are two recessed holes – one on each side. In these holes you will find a locking mechanism which allows you to release the tabletop. Unlock both of these.



b) After unlocking both sides, extend the table with the help of a friend: carefully and simultaneously pull both tabletop panels from the outer corners as indicated.

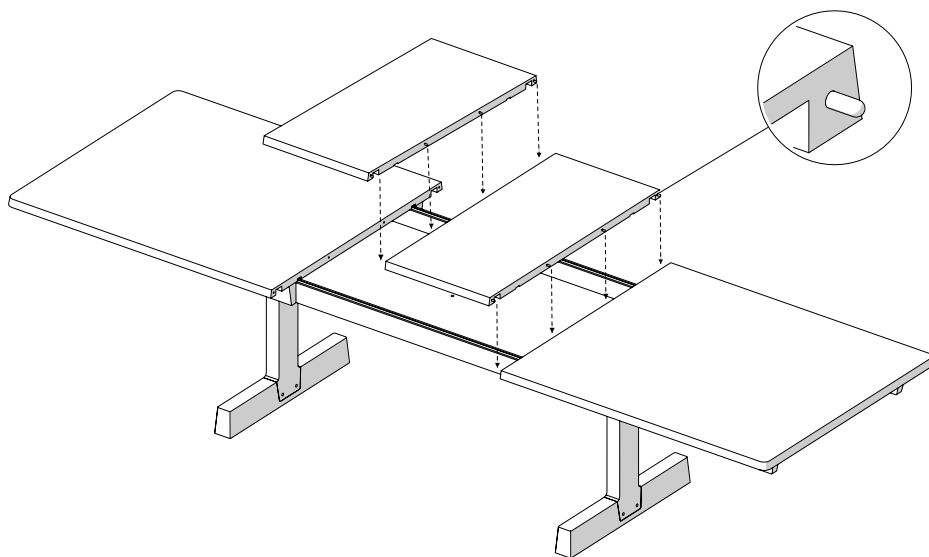
Please take care when opening the tabletops, pulling equally on each side so that the system is not put under undue stress.



0
6
M
A
T
T
H
E
W
H
I
L
T
I
O
N

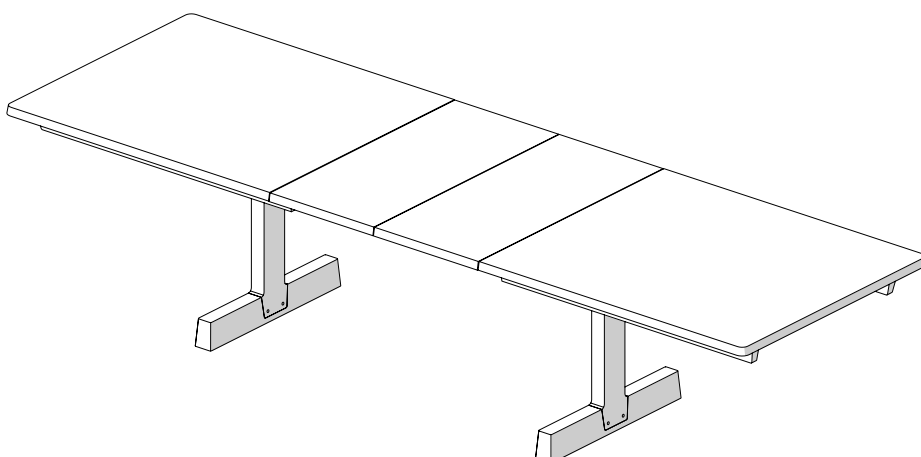
ASSEMBLY INSTRUCTIONS CONTINUED
REFECTORY EXTENDING TABLE

c) With the table fully open, place one or both extension leaves (as desired) into position, carefully connecting all guiding dowels with their corresponding holes.



c) With the extension leaves in place, join the panels by pushing the outer corners of the tabletops simultaneously, with the help of a friend. Next, lock the mechanism on both sides. The table is now extended and ready for use.

Note: NEVER carry, lift or move the table by the upper leaves as this may damage the table. Always move the table only by the subframe that sits beneath the top leaves. Before moving, always remove both extension leaves, close and lock the tabletop.



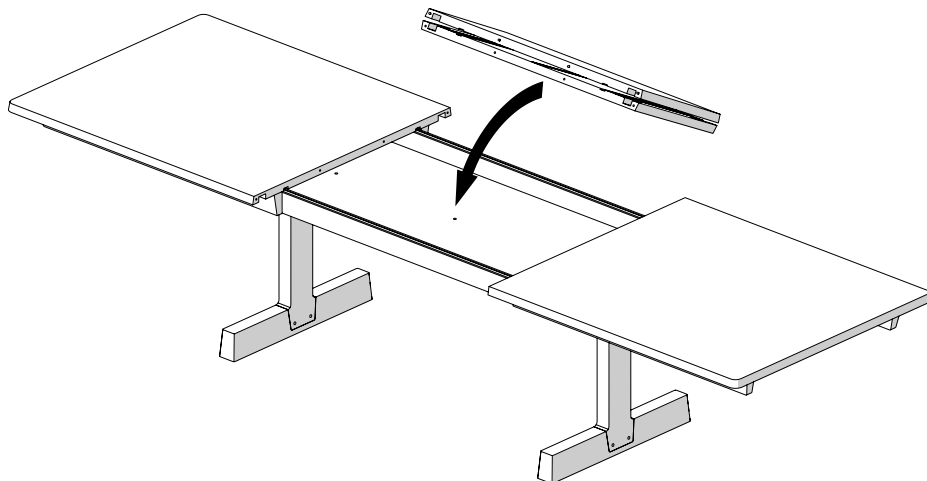
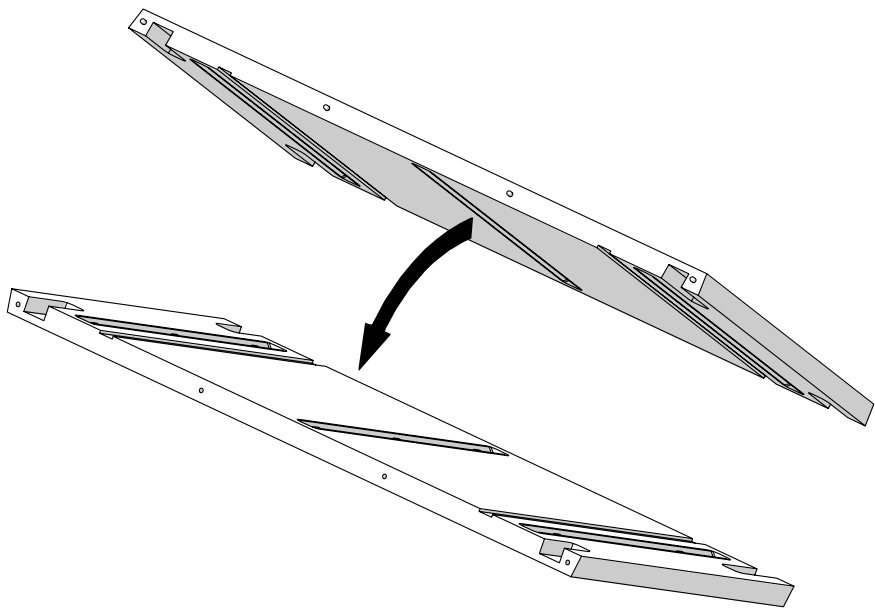
0
7
M
A
T
T
H
E
W
H
I
L
E
I
O
N

ASSEMBLY INSTRUCTIONS CONTINUED
REFECTORY EXTENDING TABLE

STORING THE EXTENSION LEAVES

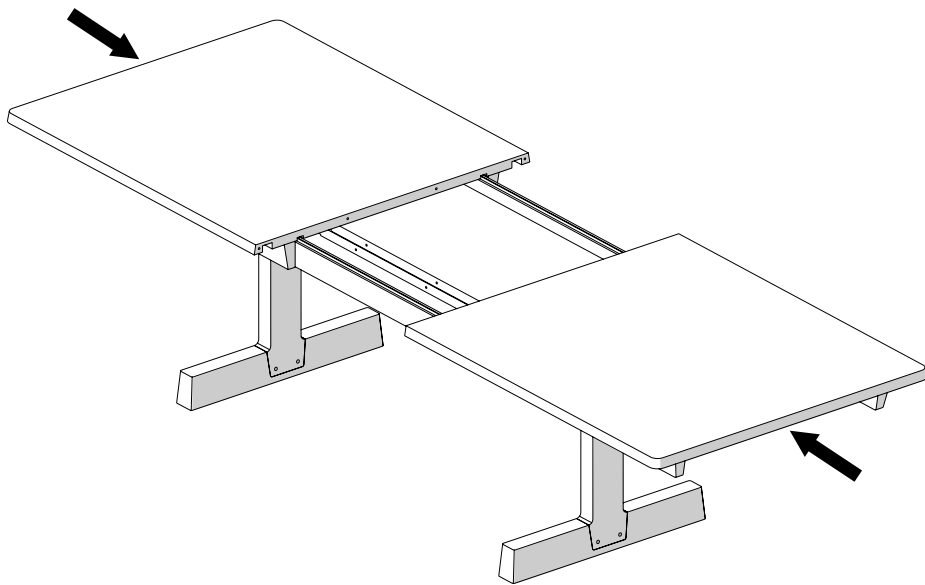
a) When desired, the extension leaves can be stored within the table as follows. To prevent scratching, one leaf should be placed face down into the fabric lined compartment. The other leaf should be placed face up on top of the first leaf.

0
8
M
A
T
T
H
E
W
H
I
L
T
I
O
N

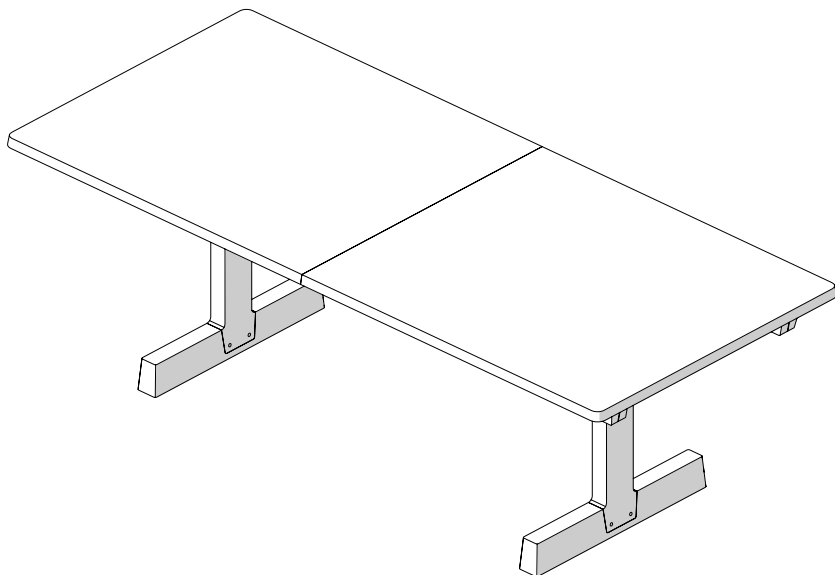


ASSEMBLY INSTRUCTIONS CONTINUED
REFECTORY EXTENDING TABLE

b) Join the tabletop panels by pushing the outer corners of the tabletop simultaneously with help from a friend. Once closed, lock the mechanism on both sides.



c) The table is now ready for use.



0
9
M
A
T
T
H
E
W
H
I
L
F
I
O
N