



MATERIAL OPTIONS



365 ORSON DESK

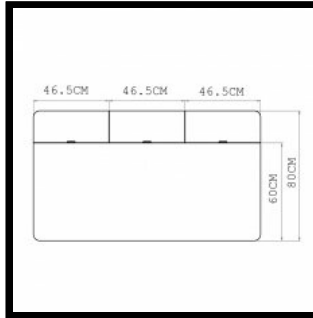
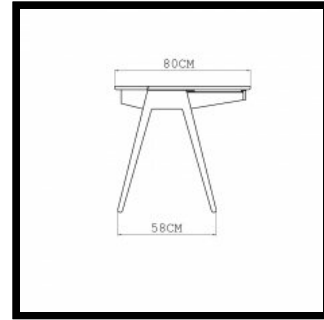
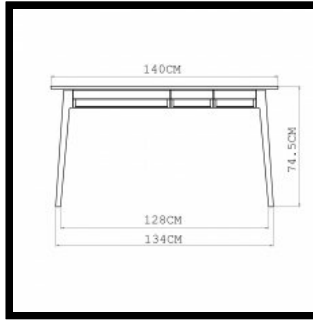
Orson desk, made in rich hardwood and cast iron, simply and quietly performs the task required, while remaining approachable and appealing to the senses. Three solid wood drawers provide ample storage for desk accessories, while three small compartments at the back of the desk provide an efficient and attractive cable management system. Accessories designed to complement the desk include two storage trays and a pencil holder which are available separately. Designed by Matthew Hilton for his eponymous brand, and manufactured by De La Espada craftsmen.

SIZE

W140 x D80 x H74 cm, height from floor to front of drawer 66.5, height from floor to back of drawer 61.5, depth of drawer 32 cm
 W55 1/8 x D31 1/2 x H29 1/3 ", height from floor to front of drawer 26 1/6, height from floor to back of drawer 24 1/5, depth of drawer 12 3/5 "

SPECIFICATION

Available in American black walnut, American white oak, or European Ash in a range of finishes, and cast iron. Click on 'Materials' in the left hand menu for further information.
Assembly: Orson Desk



365 ORSON DESK

W140 × D80 × H74 cm, height from floor to front of drawer 66.5, height from floor to back of drawer 61.5, depth of drawer 32 cm
W55 1/8 × D31 1/2 × H29 1/3 ", height from floor to front of drawer 26 1/6, height from floor to back of drawer 24 1/5, depth of drawer 12 3/5 "

0
1
M
A
T
T
H
E
W
H
I
L
T
O
N