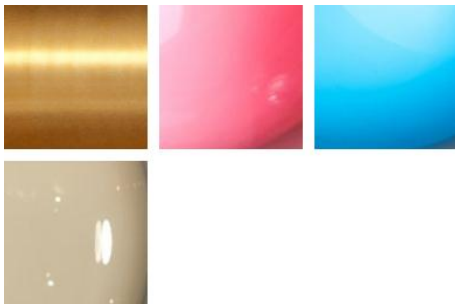
**MATERIAL OPTIONS****760 LATTICE**

Lattice is a light with a form inspired by the lattice work found on traditional Chinese screens. neri&hu took a section of a traditional pattern, altered its scale and reinterpreted its form in solid brass with hand-blown coloured glass globes. Designed by neri&hu and manufactured by De La Espada for the neri&hu brand.

**SIZE**

760S Lattice - Short drop

W156 × D59.5, drop length 101.5cm

W61 1/2 × D23 1/2, drop length 40 "

760M Lattice - Medium drop

W156 × D59.5, drop length 131.5cm

W61 1/2 × D23 1/2, drop length 51 3/4 "

760L Lattice - Long drop

W156 × D59.5, drop length 198.5 cm

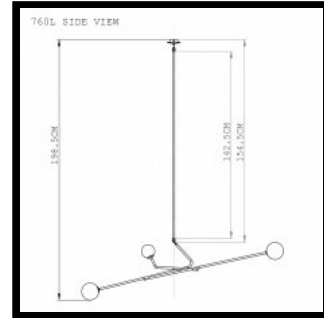
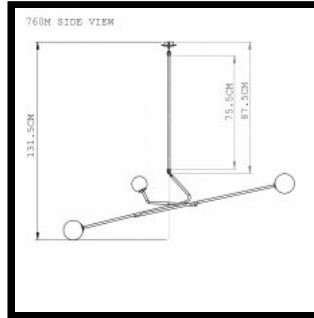
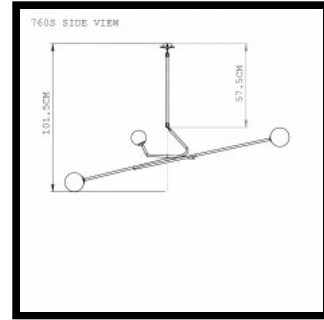
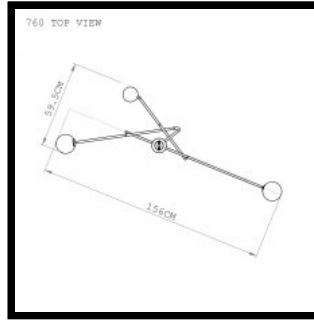
W61 1/2 × D23 1/2, drop length 78 1/8 "

**SPECIFICATION**

Available in brushed brass and glass coloured pink, blue or grey. A choice of three set drop lengths, measured from the ceiling to the furthestmost point of the light. Recommended bulb: G9 LED, fixed light or dimmable; or G9 Eco halogen, maximum 18W per bulb. Bulbs not included. Fixture weight: 3kg/6.6lbs.

Assembly: Lattice. Product Information: Lattice

. Bulb Specification: Lattice



**760 LATTICE**

760S Lattice - Short drop

W156 × D59.5, drop length 101.5cm

W61 1/2 × D23 1/2, drop length 40 "

760M Lattice - Medium drop

W156 × D59.5, drop length 131.5cm

W61 1/2 × D23 1/2, drop length 51 3/4 "

760L Lattice - Long drop

W156 × D59.5, drop length 198.5 cm

W61 1/2 × D23 1/2, drop length 78 1/8"

0  
1  
N  
E  
R  
I  
&  
H  
U