



MATERIAL OPTIONS



224D DOUBLE OCTOPUS

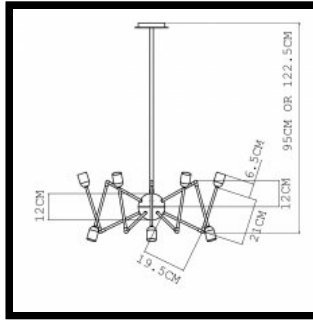
Double Octopus is a functional design with an entertaining spirit. This chandelier has hinged legs encouraging the user to engage with the design, creating new shapes and redirecting light as desired. Designed by Autoban and manufactured by De La Espada for the Autoban brand.

SIZE

Diameter is extendable from 67 to 101 cm | 26 1/3 to 39 3/4 "
 Fixed drop length of complete fitting- measured from ceiling to lower hinge 95 or 122.5cm | 37 4/5 or 48 1/4 "
 Ceiling canopy measures D15 x H2 cm | D6 x H 4/5 "

SPECIFICATION

Available in steel painted black RAL 9005, white RAL 9016 or red RAL 3020. Available in choice of two fixed drop lengths, as measured from the ceiling to the furthestmost hinge in the legs. Bulb E27 Edison screw, maximum 60W. Recommended- clear bulb, 50-60mm diameter, energy saving halogen, and if used in a residential space maximum 40W. 12 bulbs required, not included. Fixture weight: 4.2kg/ 9.25lbs



224D DOUBLE OCTOPUS

Diameter is extendable from 67 to 101 cm | 26 1/3 to 39 3/4 "

Fixed drop length of complete fitting- measured from ceiling to lower hinge 95 or 122.5cm | 37 4/5 or 48 1/4 "

Ceiling canopy measures D15 x H2 cm | D6 x H 4/5 "

0

1

A

U

T

O

B

A

N