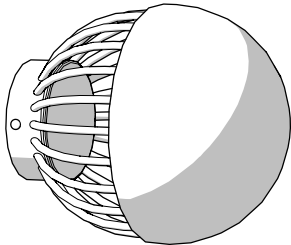


INSTALLATION INSTRUCTIONS

PILL WALL LAMP BY AUTOBAN



PARTS

1x Lamp with anchor plate attached

YOU WILL NEED

- Electric drill with 8mm drill bit
- Pozi drive 2 bit for drill OR Philips head screwdriver
- A professional electrician
- An E27 Golfball bulb, max 60W
- The help of a friend

NOTES

NOTE 1: It is essential that the installation be performed by a professional electrician. All power must be turned off during installation.

NOTE 2: Your product arrives packed in numerous layers that protect it during transport. It is important that you remove the packaging carefully to avoid damaging your furniture. Refer to our information sheet 'Unpacking Your Furniture' for further details.

NOTE 3: Great care is required when assembling our products as they can mark very easily if banged or dropped. Use blankets to soften the assembly surface.

NOTE 4: We advise that assembly and disassembly is undertaken by a minimum of 2 people and that one person is supporting the lamp body at all times during installation.

NOTE 5: When screwing in bolts, tighten well but be sure NOT TO OVERTIGHTEN.

NOTE 6: It is important that you use the appropriate fixing screws and rawl plugs for your specific wall/fixing surface.

O
1
A
U
T
O
B
A
N

INSTALLATION INSTRUCTIONS CONTINUED

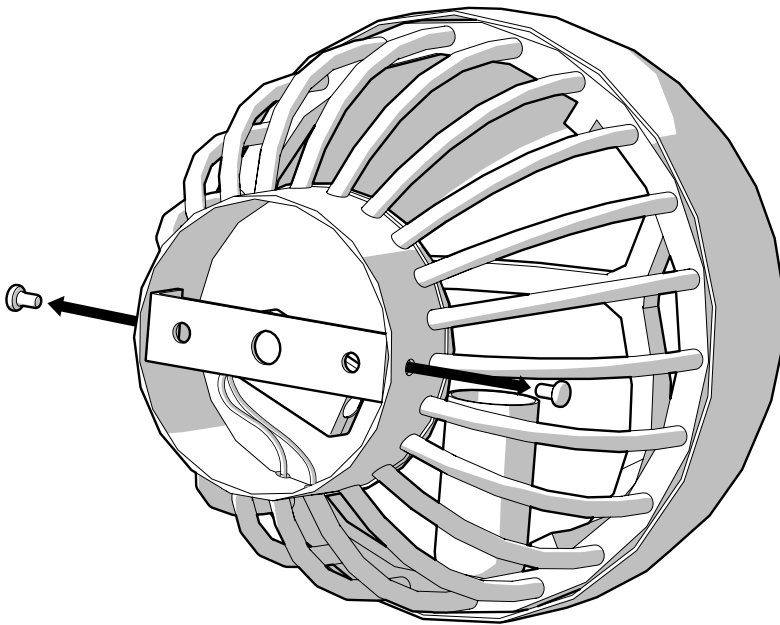
PILL WALL LAMP

INSTRUCTIONS

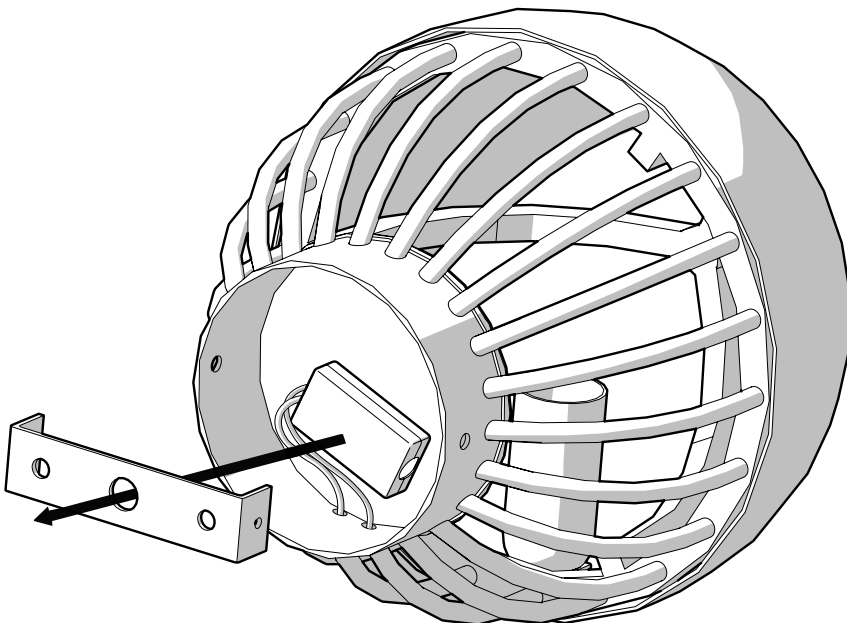
NOTE: It is important that this process is performed by a professional electrician, and that the mains power is disconnected before beginning.

1) RELEASE THE ANCHOR PLATE

a) On the back of the lamp, unscrew the two screws holding the anchor plate in place.



b) Remove the screws and the anchor plate, and place them to one side.

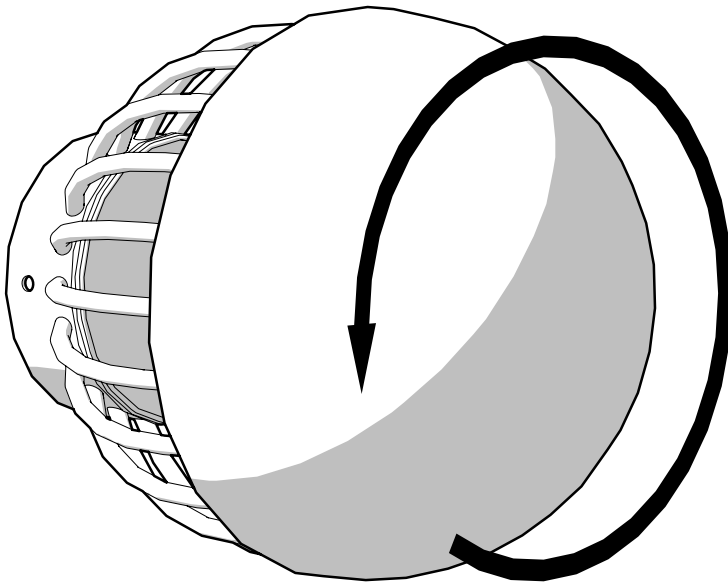


0
2
A
U
T
O
B
A
N

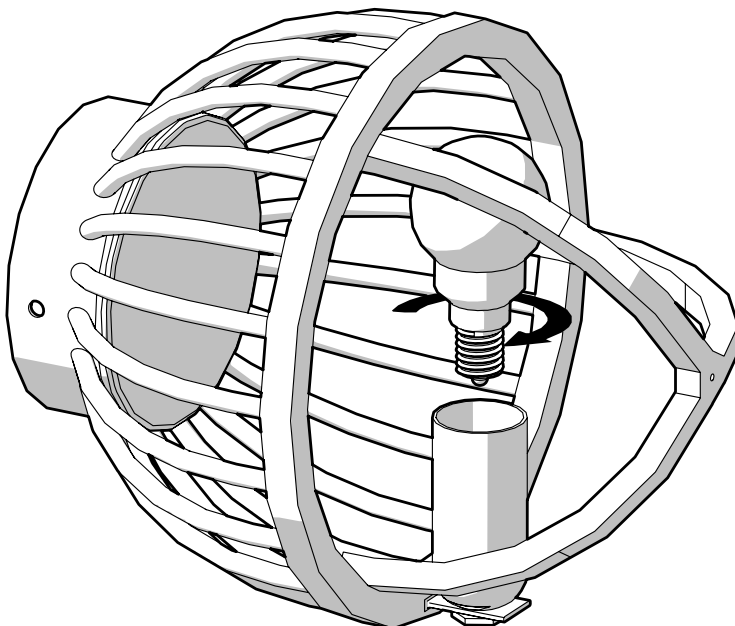
INSTALLATION INSTRUCTIONS CONTINUED
PILL WALL LAMP

2) INSERT THE LIGHT BULB

a) Remove the dome of the lamp body by unscrewing it.



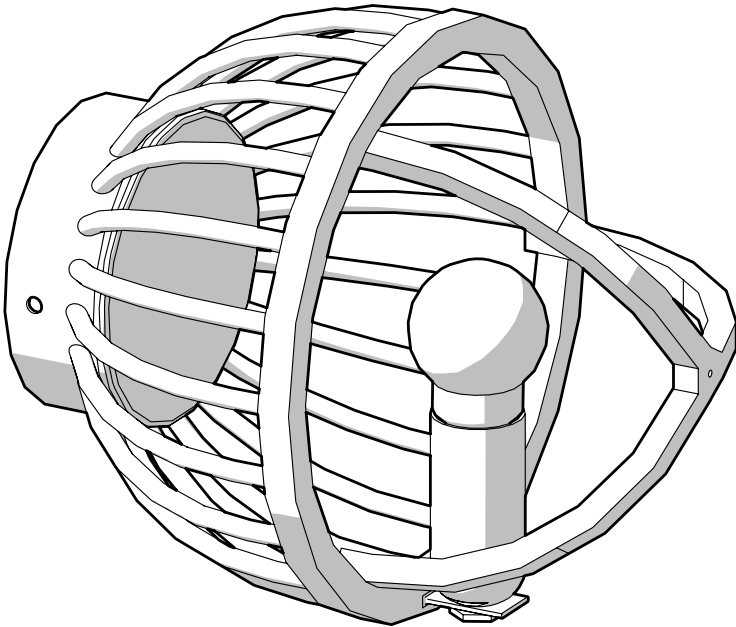
b) Once the dome has been removed, locate the bulb housing. Screw an E27 Golfball bulb (max 60W) into the bulb housing.



0
3
A
U
T
O
B
A
N

INSTALLATION INSTRUCTIONS CONTINUED
PILL WALL LAMP

c) The lamp should now look like this.

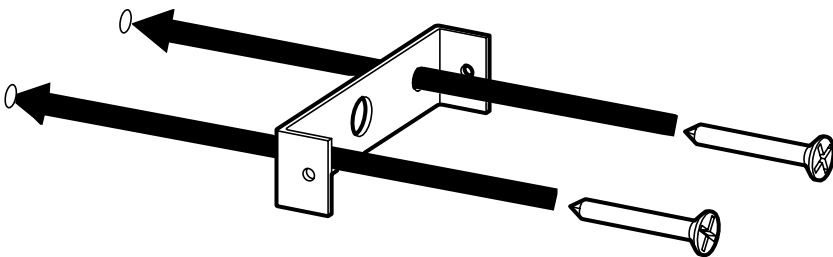


0
4
A
U
T
O
B
A
N

3) ATTACH THE ANCHOR PLATE TO THE WALL

a) Locate the position on the wall where you would like to attach the lamp. Ensure that the mains electric cables are ready in this approximate location. Drill a hole with an 8mm bit in each of the two locations where your fixing surface aligns with the holes in the anchor plate. BE VERY CAREFUL NOT TO DRILL INTO THE MAINS POWER CABLE.

b) Feed the electric wires from the wall through the centre hole in the anchor plate as you place the anchor plate onto the wall. Using the appropriate fixing screws and rawl plugs for your wall, fix the anchor plate to the wall and tighten well.

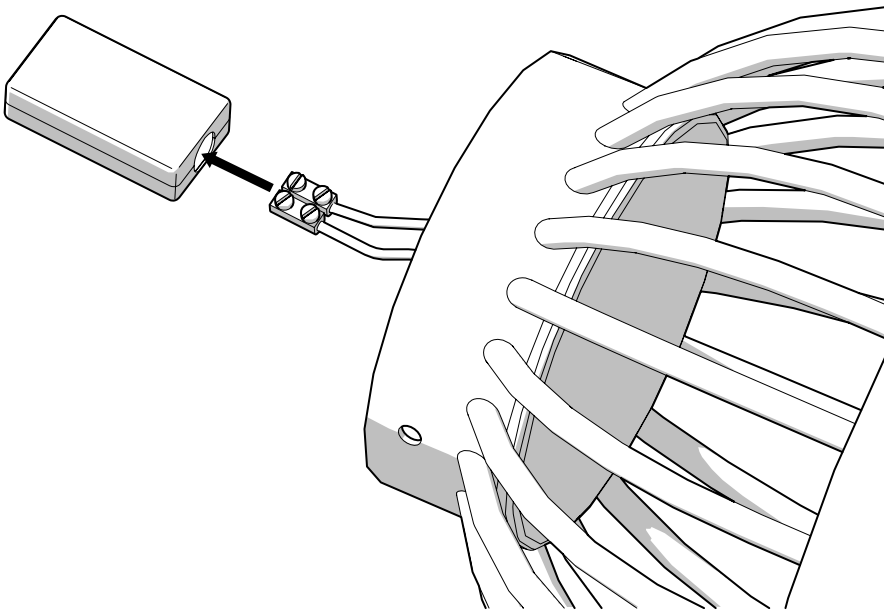
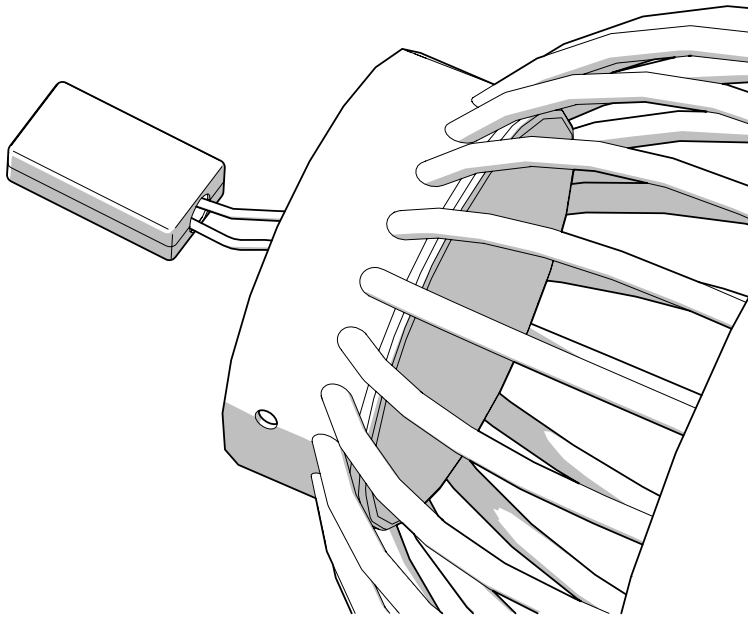


INSTALLATION INSTRUCTIONS CONTINUED

PILL WALL LAMP

4) PERFORM WIRING

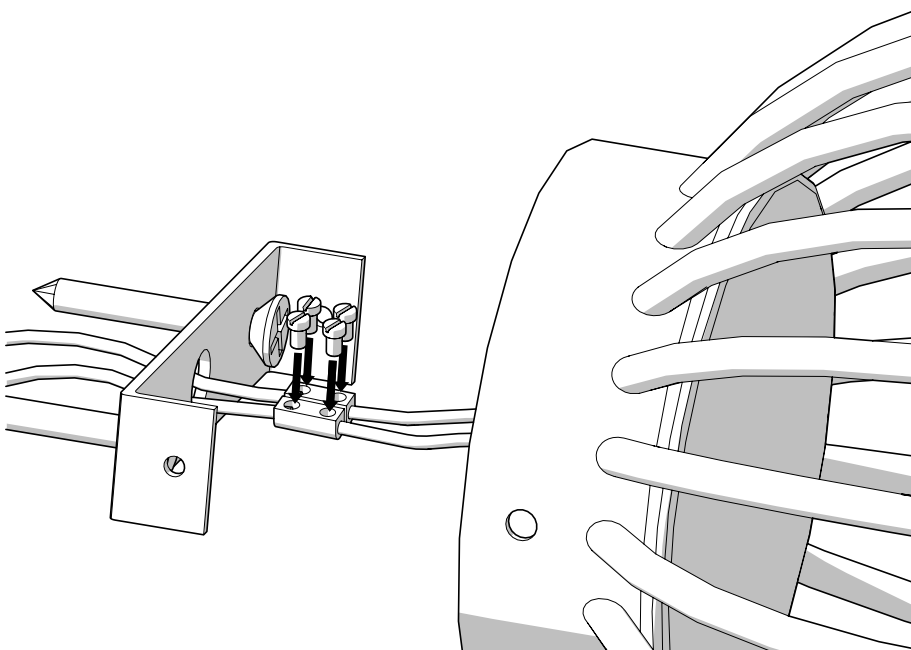
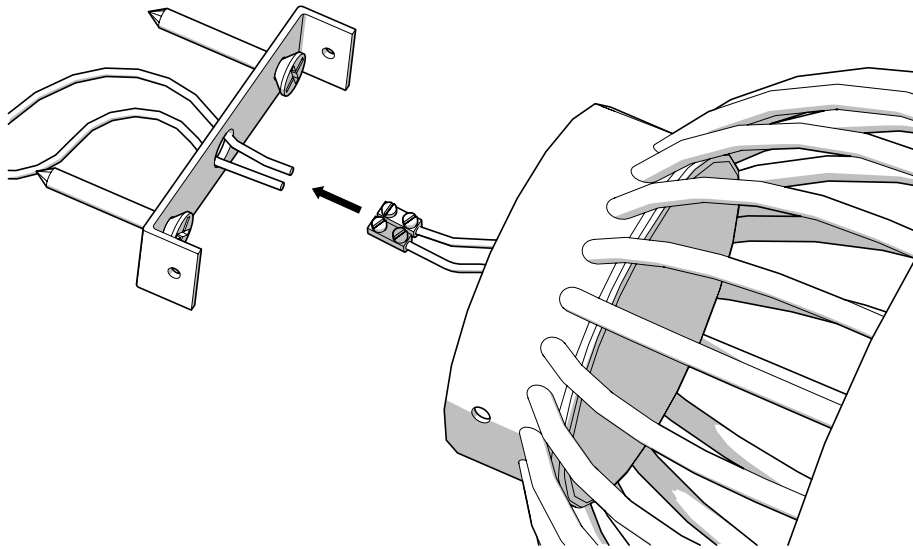
a) Remove the connector block enclosure to reveal the connector block.



0
5
A
U
T
O
B
A
N

INSTALLATION INSTRUCTIONS CONTINUED
PILL WALL LAMP

b) With one person supporting the lamp body, securely connect the wires.

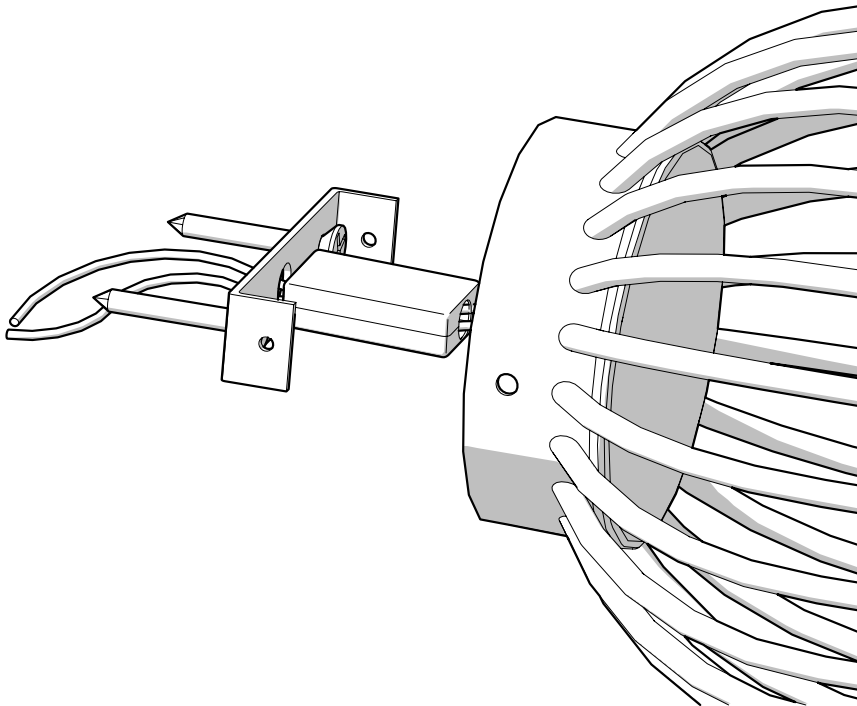


0
6
A
U
T
O
B
A
N

INSTALLATION INSTRUCTIONS CONTINUED

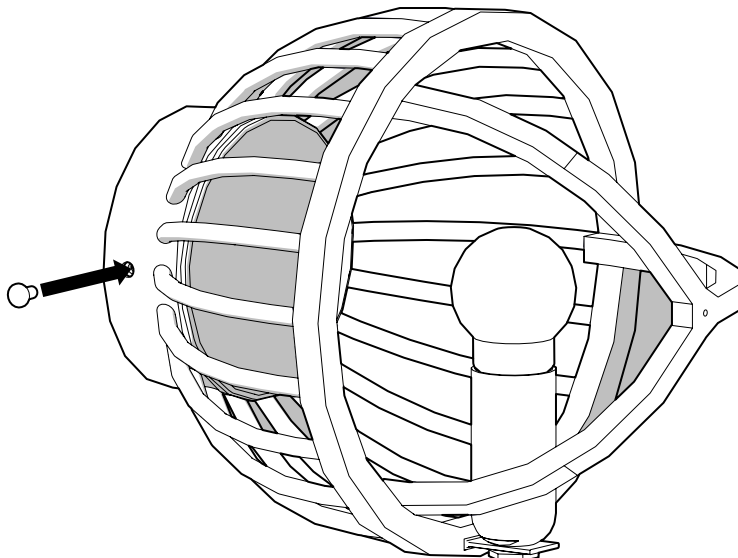
PILL WALL LAMP

c) Safely insulate the connection by reattaching the connector block enclosure.



5) ATTACH LAMP TO WALL

a) Place the lamp onto the anchor plate, aligning the holes on the sides of the lamp with the holes in the ends of the anchor plate. Locate the two screws you released in step 1, and insert them back into position, connecting the lamp to the anchor plate. Tighten firmly without overtightening.



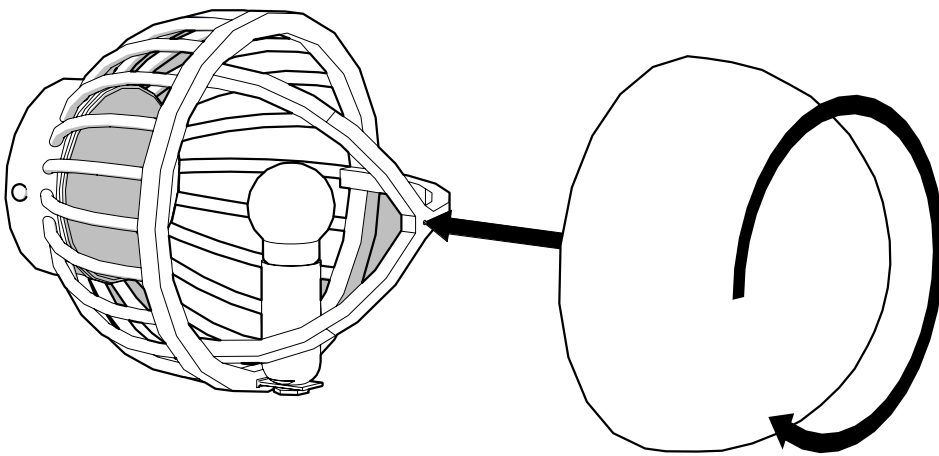
0
7
A
U
T
O
B
A
N

INSTALLATION INSTRUCTIONS CONTINUED

PILL WALL LAMP

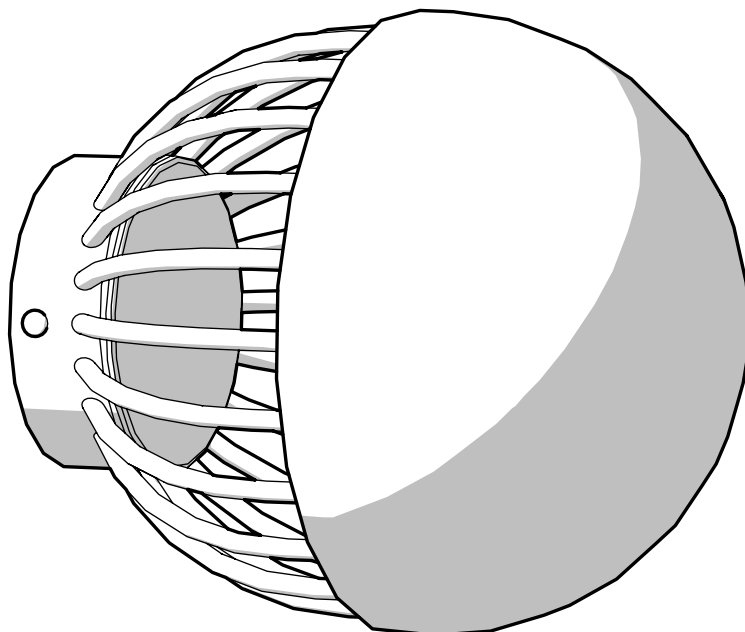
6) REATTACH DOME

- a) Screw the dome back onto the lamp body.



7) TURN YOUR MAINS POWER BACK ON

- a) After turning your mains power back on, your lamp installation is complete and the lamp is ready for use.



0
8
A
U
T
O
B
A
N