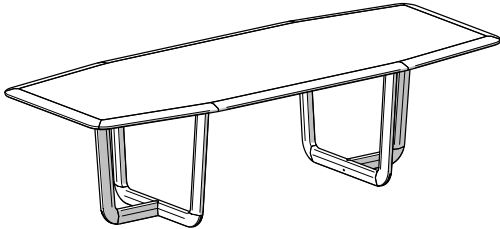


ASSEMBLY INSTRUCTIONS

245 HOLY TABLE BY AUTOBAN



PARTS

1x Tabletop
2x Leg frames

Hardware:

(14x) M8x25 Screws

(14x) M8 washers



YOU WILL NEED

-6mm Allen Key
-The help of a friend

NOTES

NOTE 1: Be certain that all assembly is carried out on a flat and stable surface. This will ensure a good final result. Reverse the steps to disassemble the piece.

NOTE 2: Your furniture arrives packed in numerous layers that protect it during transport. It is important that you remove the packaging carefully to avoid damaging your furniture. Refer to our information sheet "Unpacking Your Furniture" for further details.

NOTE 3: Great care is required when assembling our products. Use blankets to soften the assembly surface - hard surfaces such as wood or stone flooring may damage the furniture if in direct contact.

NOTE 4: We advise that assembly and disassembly of De La Espada furniture is undertaken by a minimum of 2 people.

NOTE 5: When screwing in bolts, tighten well, but be sure NOT TO OVERTIGHTEN. This can cause the thread to strip thus resulting in a poor connection.

NOTE 6: While you work, be sure all connections are flush with no gaps.

NOTE 7: After assembly, ensure that the table is resting on a level surface.

O
1
A
U
T
O
B
A
N

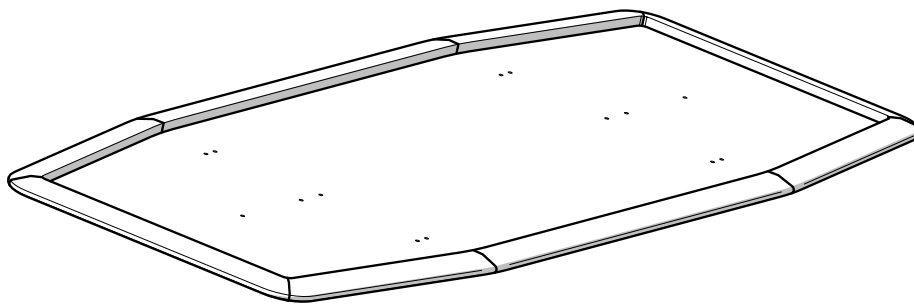
ASSEMBLY INSTRUCTIONS CONTINUED

245 HOLY TABLE

INSTRUCTIONS

1. ATTACH LEG FRAMES TO TABLETOP

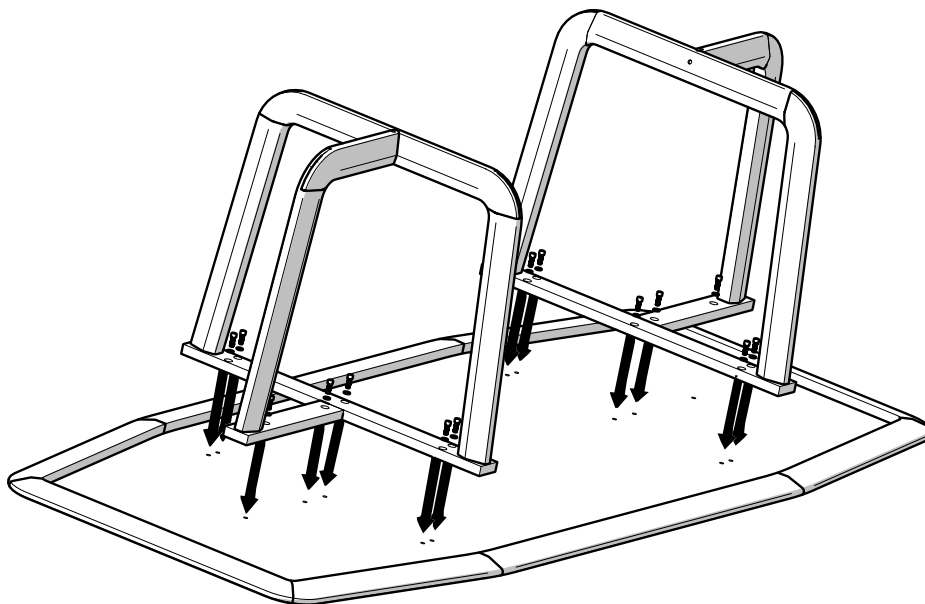
a) Place the tabletop face down on a clean, soft surface such as blanket or carpet on the floor.



b) Turn each leg frame upside down onto the underside of the tabletop.

c) Match the numbers on the leg frames with the number markings on the tabletop, aligning the pre-drilled holes.

d) Insert a washer followed by an M8x25 screw into each of the fourteen pre-drilled holes, connecting the parts, and tighten firmly with an Allen key.



0

2

A

U

T

O

B

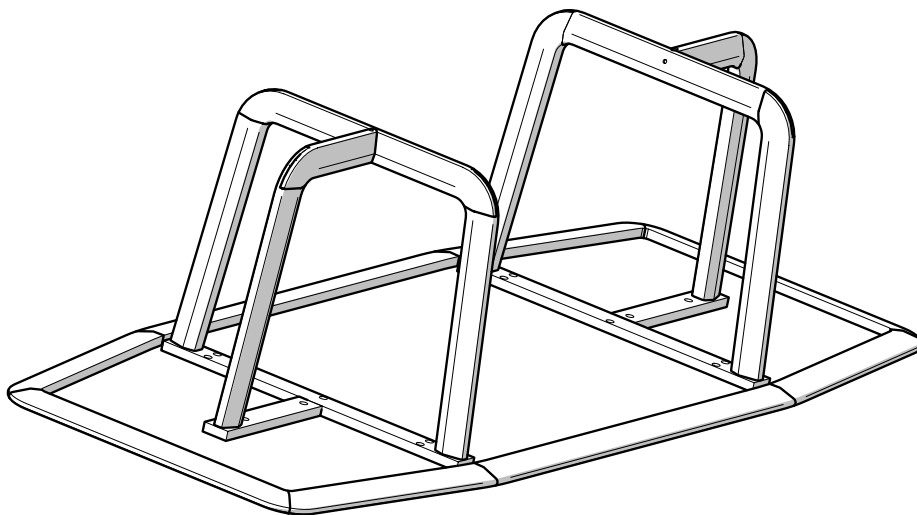
A

N

ASSEMBLY INSTRUCTIONS CONTINUED

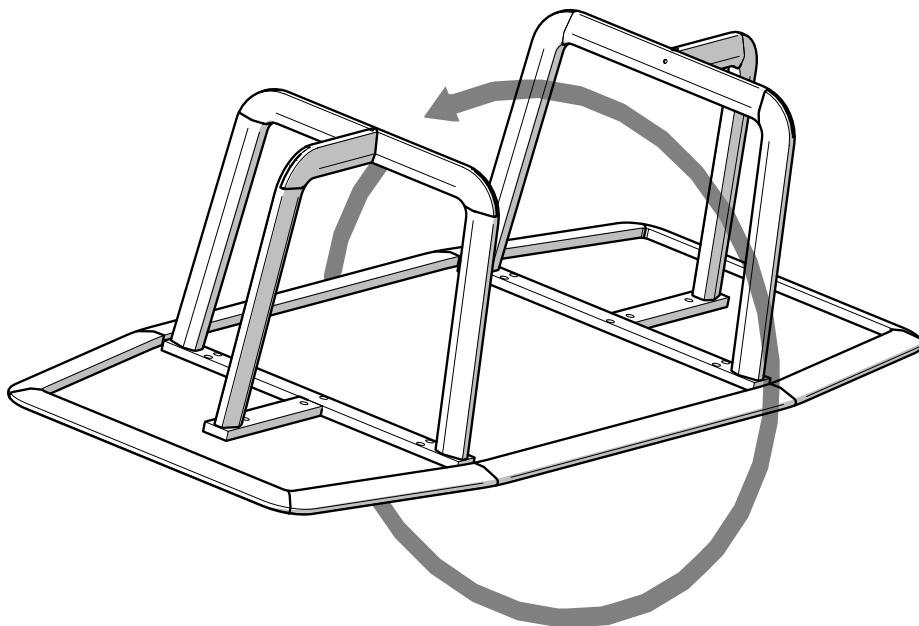
245 HOLY TABLE

e) The assembly should now look like this.



2. TURN THE TABLE INTO AN UPRIGHT POSITION

a) With the help of a friend, carefully turn the table over into an upright position, taking care not to place any weight/force on the table legs while turning.

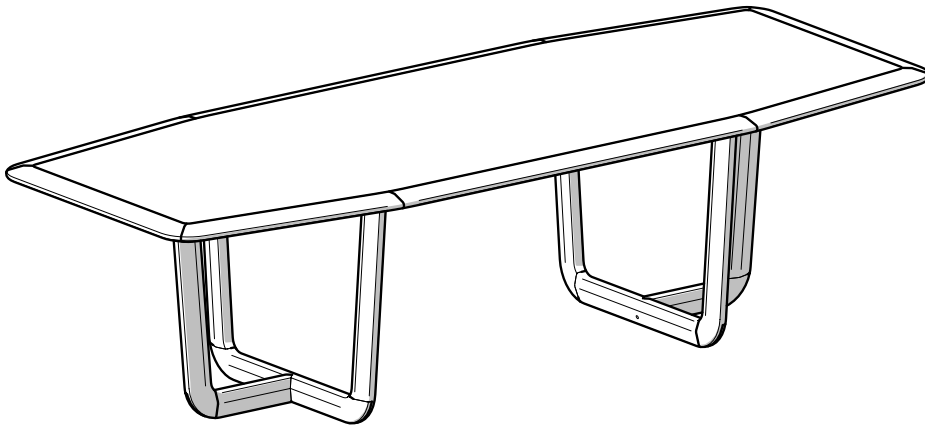


0
3
A
U
T
O
B
A
N

ASSEMBLY INSTRUCTIONS CONTINUED

245 HOLY TABLE

b) Assembly is now complete and the table is ready for use.



0
4
A
U
T
O
B
A
N