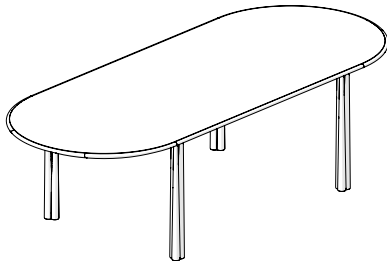


**ASSEMBLY INSTRUCTIONS**

051/056 ELLIOT DINING TABLE BY JASON MILLER



PARTS

- 1x Tabletop
- 2x Leg frames
- 2x Cross beams

Hardware:

(4x) Universal connector



(18x) M6x30 Screws



(4x) M8x40 Metal dowel



(18x) M7.5 washers



YOU WILL NEED

- 5mm Allen Key
- 6mm Allen Key
- The help of a friend

NOTES

NOTE 1: Be certain that all assembly is carried out on a flat and stable surface. This will ensure a good final result. Reverse the steps to disassemble the piece.

NOTE 2: Your furniture arrives packed in numerous layers that protect it during transport. It is important that you remove the packaging carefully to avoid damaging your furniture. Refer to our information sheet "Unpacking Your Furniture" for further details.

NOTE 3: Great care is required when assembling our products. Use blankets to soften the assembly surface - hard surfaces such as wood or stone flooring may damage the furniture if in direct contact.

NOTE 4: We advise that assembly and disassembly of De La Espada furniture is undertaken by a minimum of 2 people.

NOTE 5: When screwing in bolts, tighten well, but be sure NOT TO OVERTIGHTEN. This can cause the thread to strip thus resulting in a poor connection.

NOTE 6: While you work, be sure all connections are flush with no gaps.

NOTE 7: After assembly, ensure that the table is resting on a level surface.

O  
1  
J  
A  
S  
O  
N  
M  
I  
L  
L  
E  
R

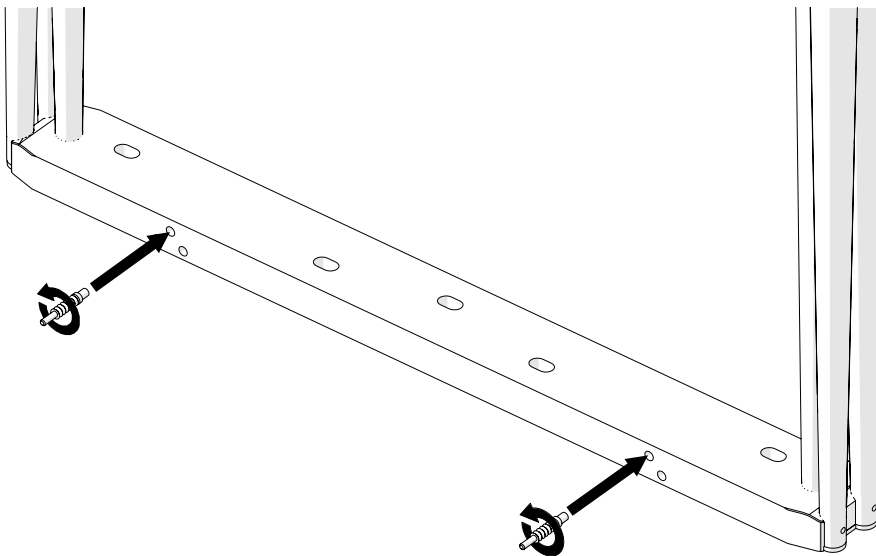
**ASSEMBLY INSTRUCTIONS CONTINUED**

051/056 ELLIOT DINING TABLE

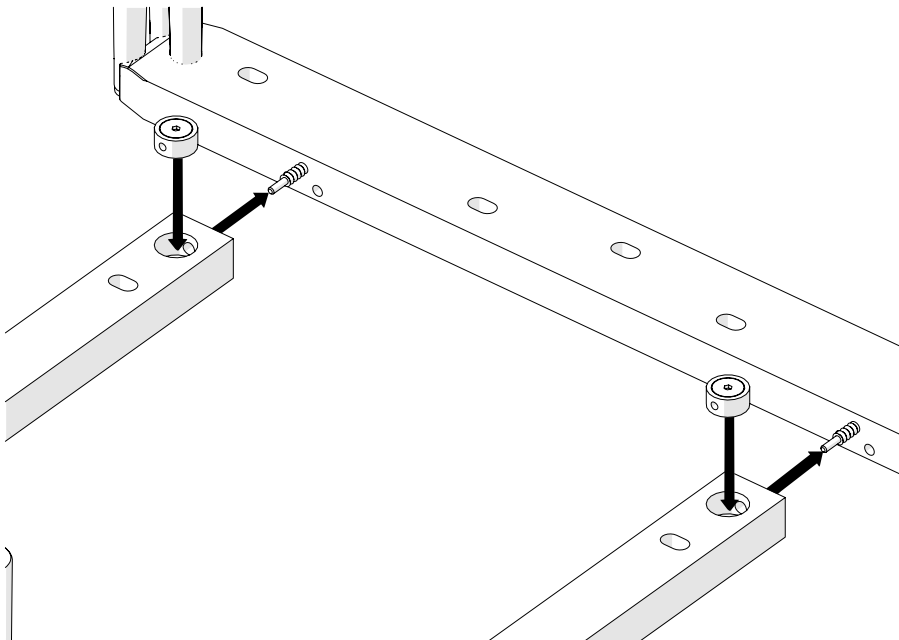
INSTRUCTIONS

1) ATTACH CROSS BEAMS TO LEG FRAMES

- a) Place the leg frames face down on a clean, soft surface on the floor.
- b) Screw the metal dowels into the pre-drilled holes in each leg frame.



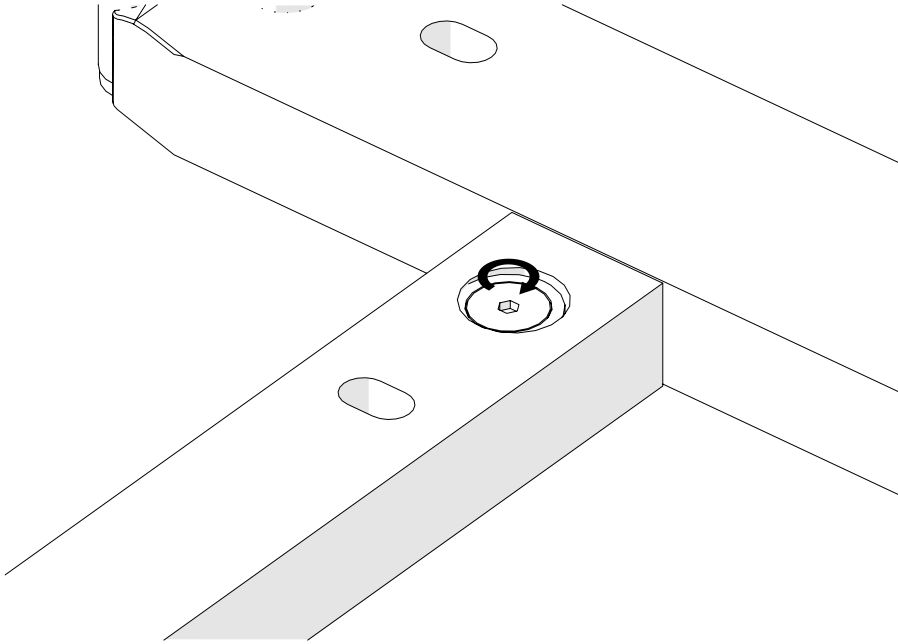
- c) Insert the Universal Connectors into the rebates at either end of each cross beam.
- d) While pushing the cross beams toward the leg frames, guide the metal dowels into the Universal Connectors to connect the parts.



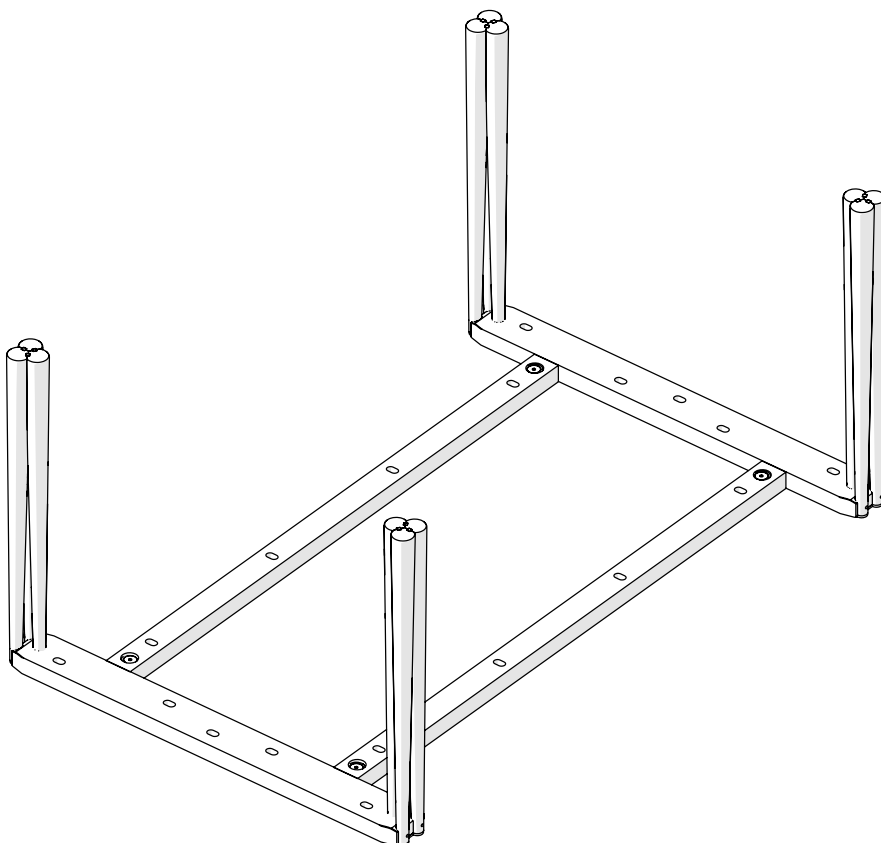
0  
2  
J  
A  
S  
O  
N  
M  
I  
L  
L  
E  
R

**ASSEMBLY INSTRUCTIONS CONTINUED**  
051/056 ELLIOT DINING TABLE

e) Tighten the connections firmly with an Allen Key.



f) The assembly should now look like this.



0  
3  
J  
A  
S  
O  
N  
M  
I  
L  
L  
E  
R

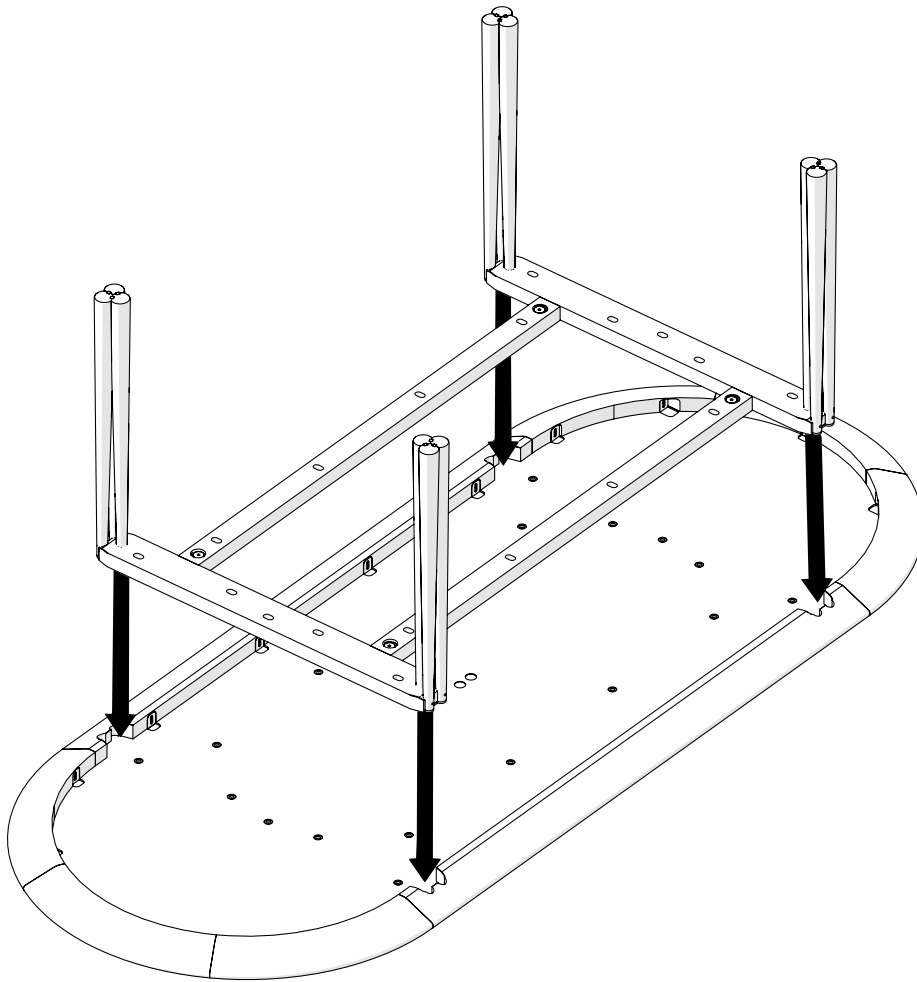
**ASSEMBLY INSTRUCTIONS CONTINUED**

051/056 ELLIOT DINING TABLE

2) ATTACH LEG ASSEMBLY TO TABLETOP

a) Place the tabletop face down on a clean, soft surface on the floor.

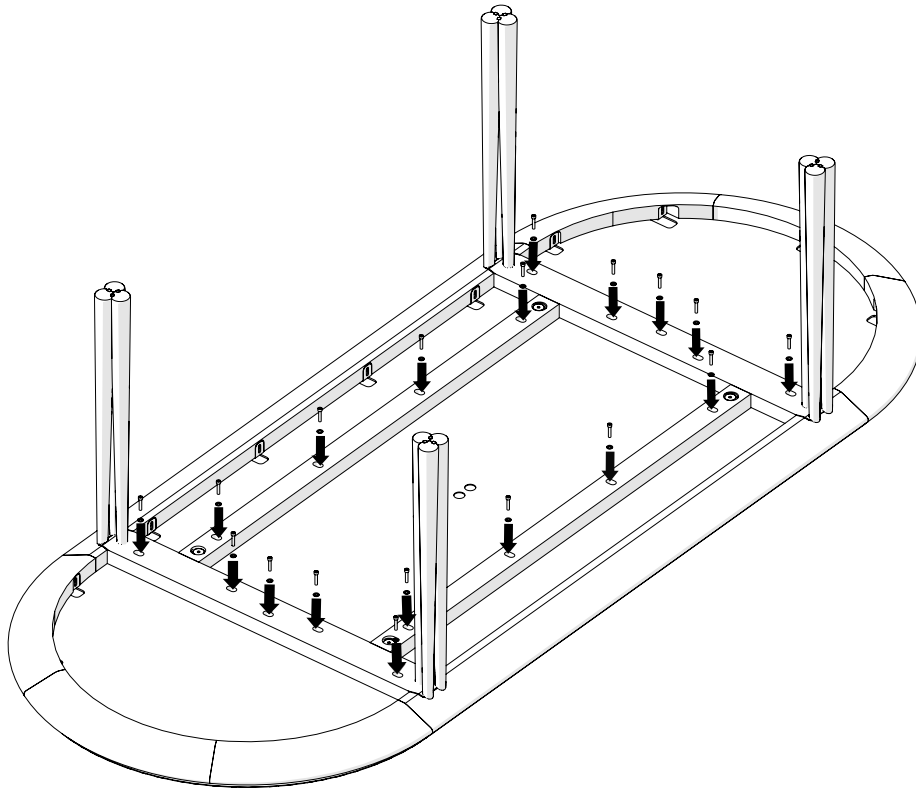
b) Place the leg assembly onto the underside of the tabletop, aligning the pre-drilled holes.



0  
4  
J  
A  
S  
O  
N  
M  
I  
L  
L  
E  
R

**ASSEMBLY INSTRUCTIONS CONTINUED**  
051/056 ELLIOT DINING TABLE

c) Into each of the pre-drilled holes, insert a washer followed by an M6x30 screw. Tighten the connections firmly with an Allen Key.

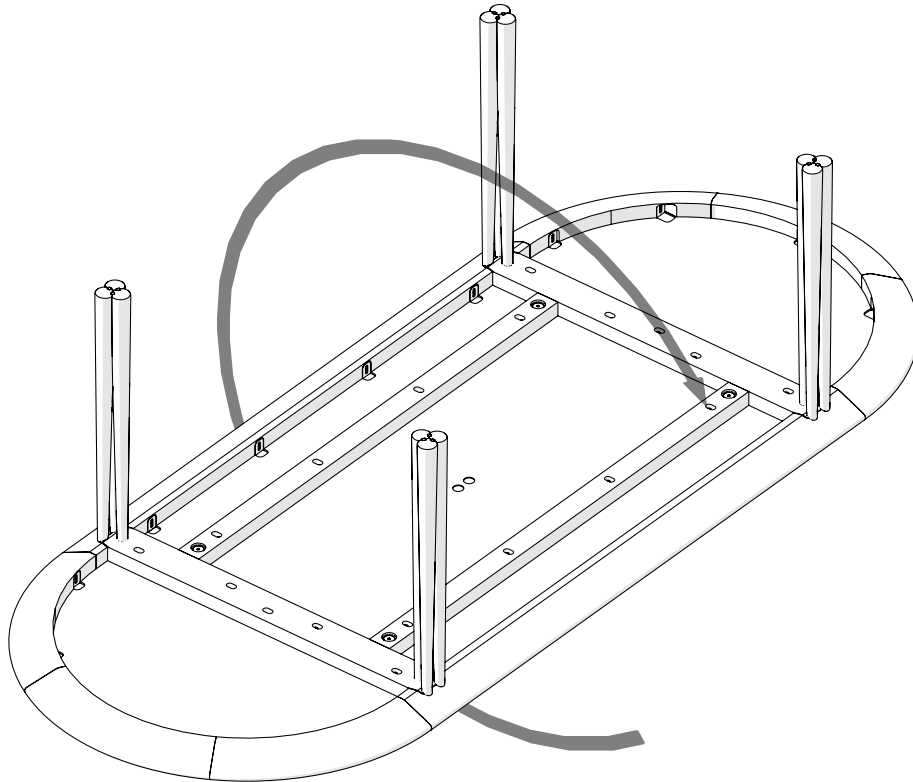


0  
5  
J  
A  
S  
O  
N  
M  
I  
L  
L  
E  
R

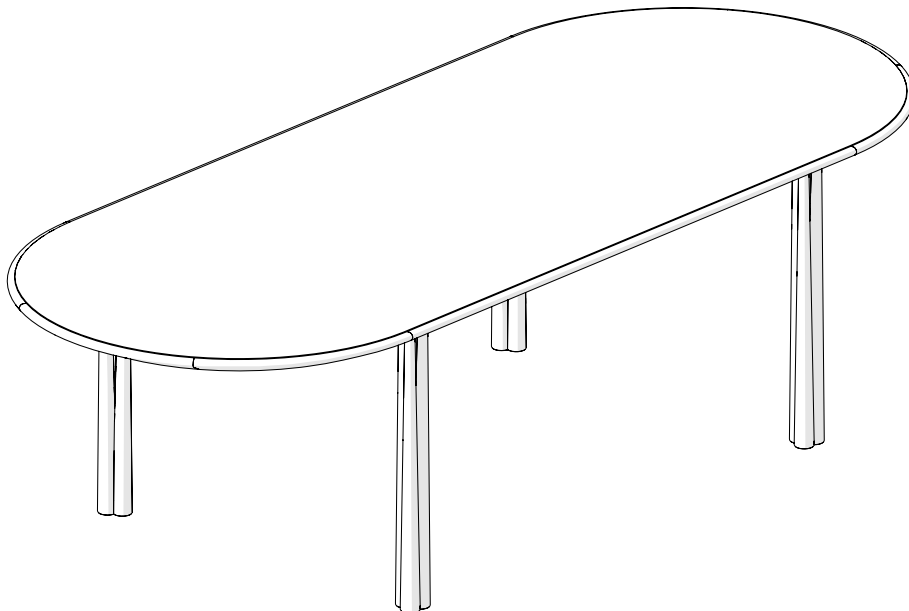
**ASSEMBLY INSTRUCTIONS CONTINUED**  
051/056 ELLIOT DINING TABLE

3) TURN THE TABLE INTO AN UPRIGHT POSITION

a) With the help of a friend, carefully turn the table over into an upright position, taking care not to place any weight/force on the table legs while turning.



b) The assembly is now complete and the table is ready for use.



0  
6  
J  
A  
S  
O  
N  
M  
I  
L  
L  
E  
R