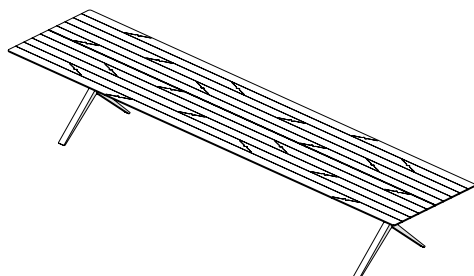


ASSEMBLY INSTRUCTIONS

395Q/V OVERTON TABLE BY MATTHEW HILTON

NOTE: These instructions are relevant for the Overton Table in 400 or 450 cm lengths (157 1/2 or 177 1/8 "). The hardware quantities may vary according to size.



PARTS

- 2x Tabletop halves
- 2x leg frames
- 1x cross bar

HARDWARE

(6x) Universal connector



(8x) M6x15 Countersunk socket screws



(4x) M8x20 Countersunk socket screws



(12x) M8x20 Button screws



(2x) Metal straps



(6x) M8x40 Metal dowel



(2x) M8x90 Countersunk socket screws



(12x) M8x25 Button screws



(2x) Steel conical plugs



(24x) Washers



YOU WILL NEED

- 5mm Allen Key
- 4mm Allen Key
- The help of a friend

NOTES

NOTE 1: Be certain that all assembly is carried out on a flat and stable surface. This will ensure a good final result. Reverse the steps to disassemble the piece.

NOTE 2: Your furniture arrives packed in numerous layers that protect it during transport. It is important that you remove the packaging carefully to avoid damaging your furniture. Refer

O
1
M
A
T
T
H
E
W
H
I
L
T
O
N

ASSEMBLY INSTRUCTIONS CONTINUED

OVERTON TABLE

to our information sheet "Unpacking Your Furniture" for further details.

NOTE 3: Great care is required when assembling our products . Use blankets to soften the assembly surface - hard surfaces such as wood or stone flooring may damage the furniture if in direct contact.

NOTE 4: We advise that assembly and disassembly is undertaken by a minimum of 3-4 people.

NOTE 5: When screwing in hardware, tighten well, but be sure NOT TO OVERTIGHTEN. This can cause the thread to strip thus resulting in a poor connection.

NOTE 6: After assembly, ensure that the table is resting on a level surface.

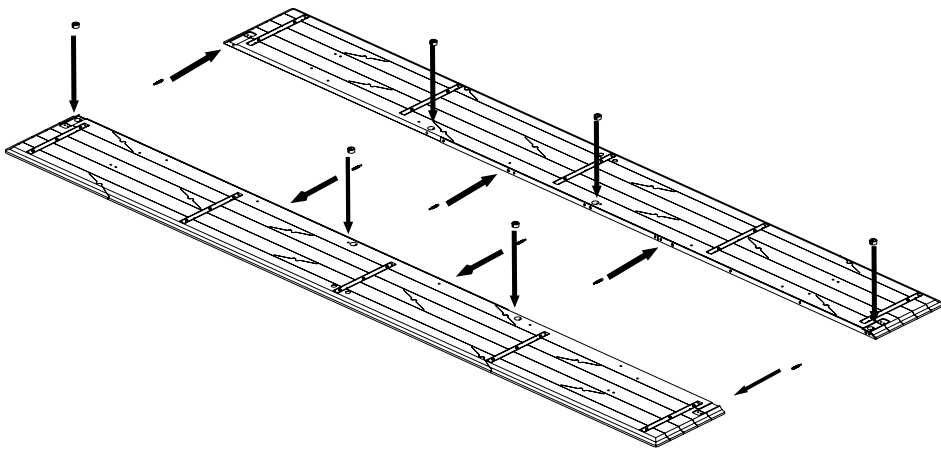
IMPORTANT! ALWAYS USE GLOVES WHEN HANDLING BRASS PRODUCTS.

Our brass is coated with a thin layer of wax to embrace the natural patina that will develop over time. Never handle brass with your bare hands, as the oils in your skin will cause the surface to oxidise more quickly in the areas you touch, highlighting your finger prints. If you ordered your product in brass, you will find white gloves in the supplied hardware box.

INSTRUCTIONS

1. ASSEMBLE THE TABLETOP

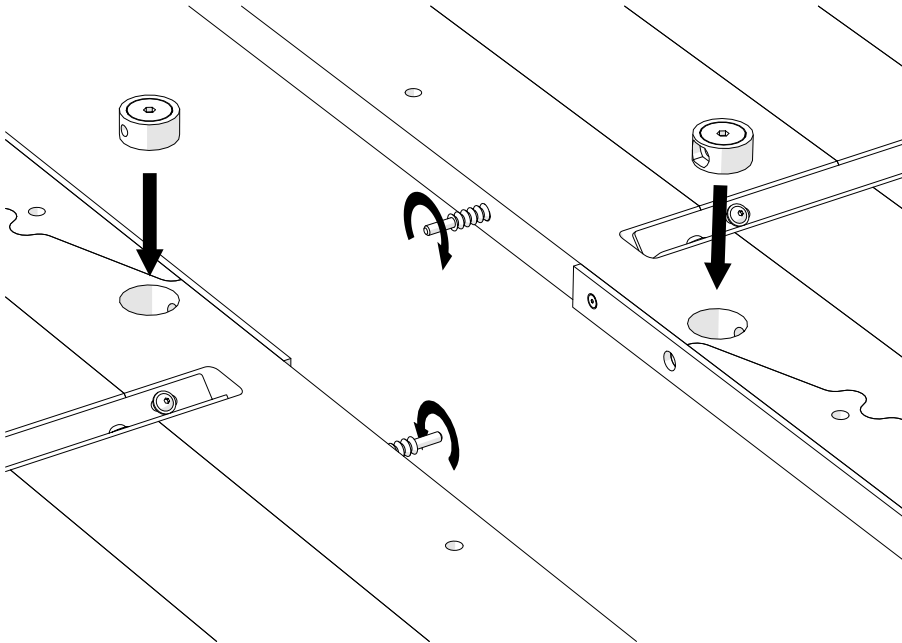
a) Place the two halves of the tabletop face down on a clean, soft surface on the floor, aligning the pre-drilled holes.



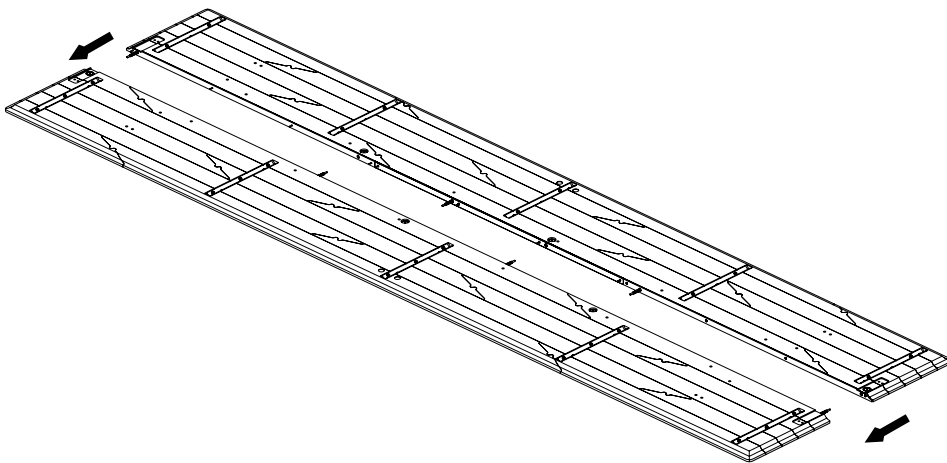
0
2
M
A
T
T
H
E
W
H
I
L
H
O
N

ASSEMBLY INSTRUCTIONS CONTINUED
OVERTON TABLE

b) Insert Universal Connectors into relevant rebates and insert metal dowels into the corresponding pre-drilled holes.



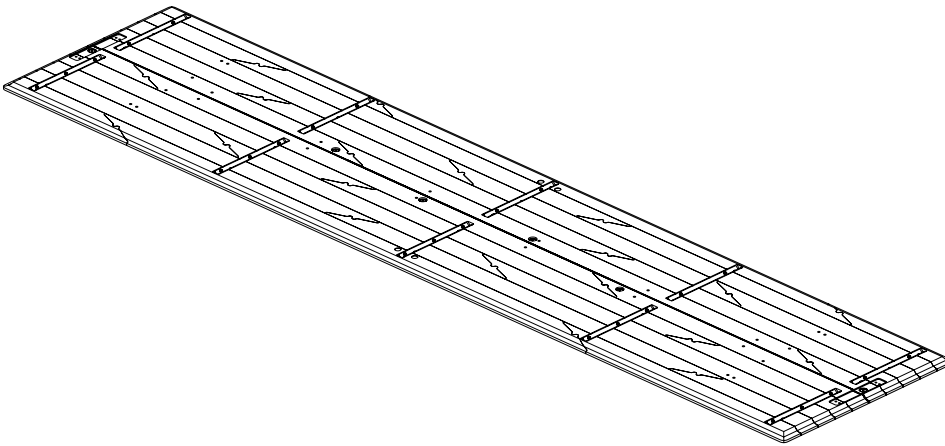
c) Push the two halves together, guiding the metal dowels into the Universal Connectors then tighten with an Allen Key.



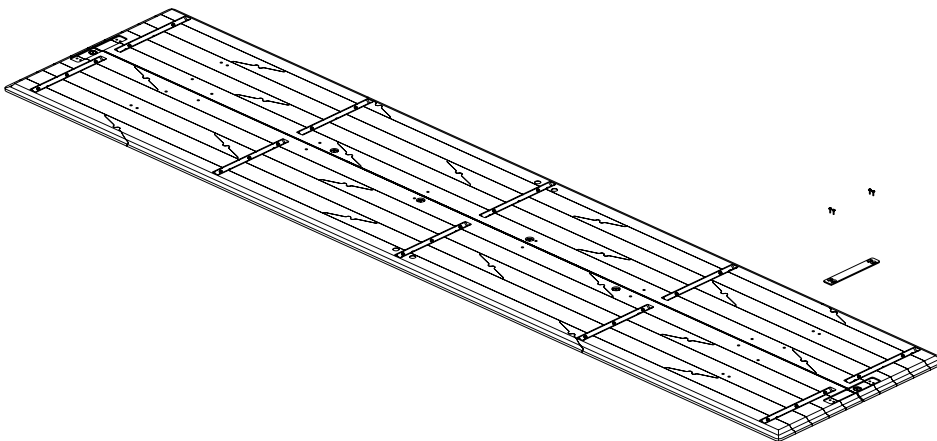
0
3
M
A
T
T
H
E
W
H
I
L
T
I
O
N

ASSEMBLY INSTRUCTIONS CONTINUED
OVERTON TABLE

d) The assembly should now look like this.



e) Place a metal strap into the rebate at each end of the tabletop, and secure with the 8x M6x15 Countersunk socket screws. Tighten with an Allen Key.



f) Place the assembled tabletop to one side while you construct the leg structure.

0
4
M
A
T
T
H
E
W
H
I
L
E
I
O
N

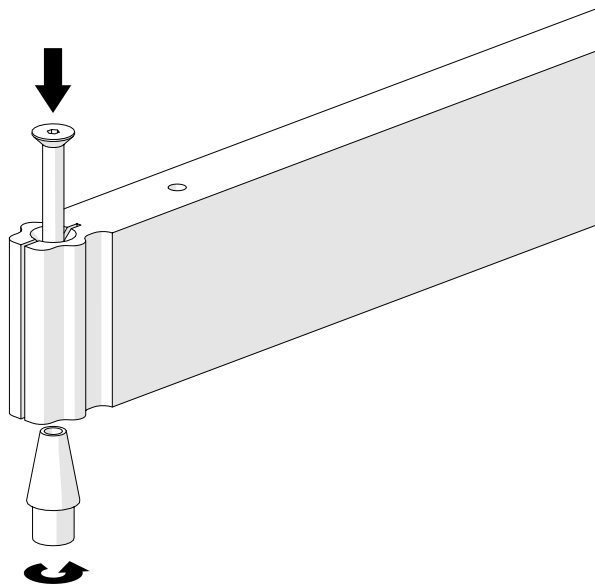
ASSEMBLY INSTRUCTIONS CONTINUED

OVERTON TABLE

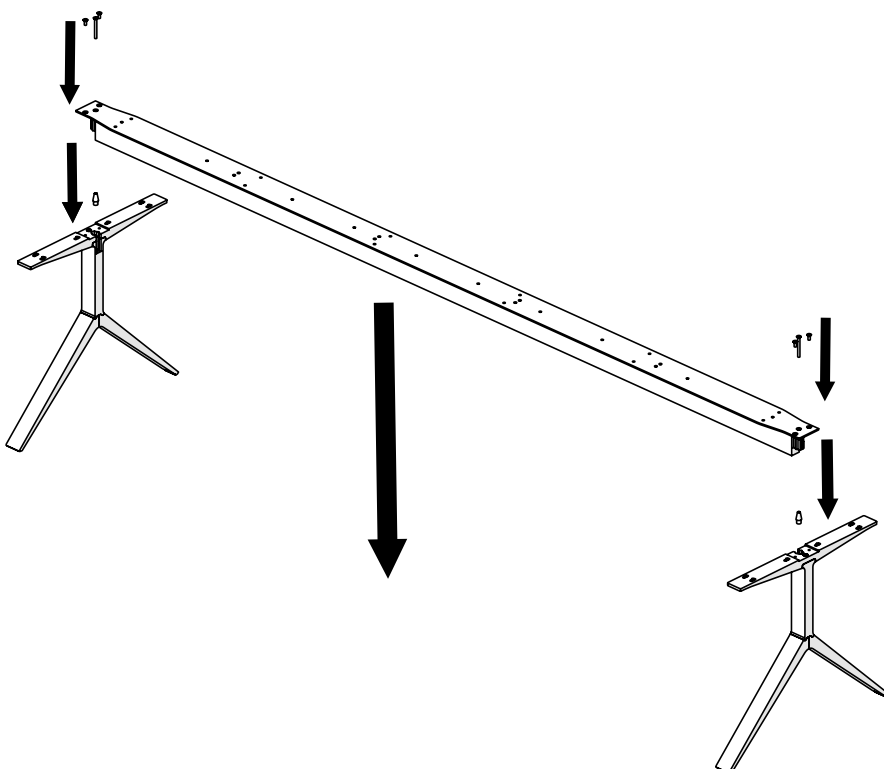
2. ATTACH CROSS BAR TO LEG FRAMES

Note: When performing this part of the assembly, you will need one person supporting each leg frame, and one to two people supporting the central beam.

a) At each end of the cross bar, insert an M8x90 Countersunk Socket Screw into the top and a conical plug into the bottom.



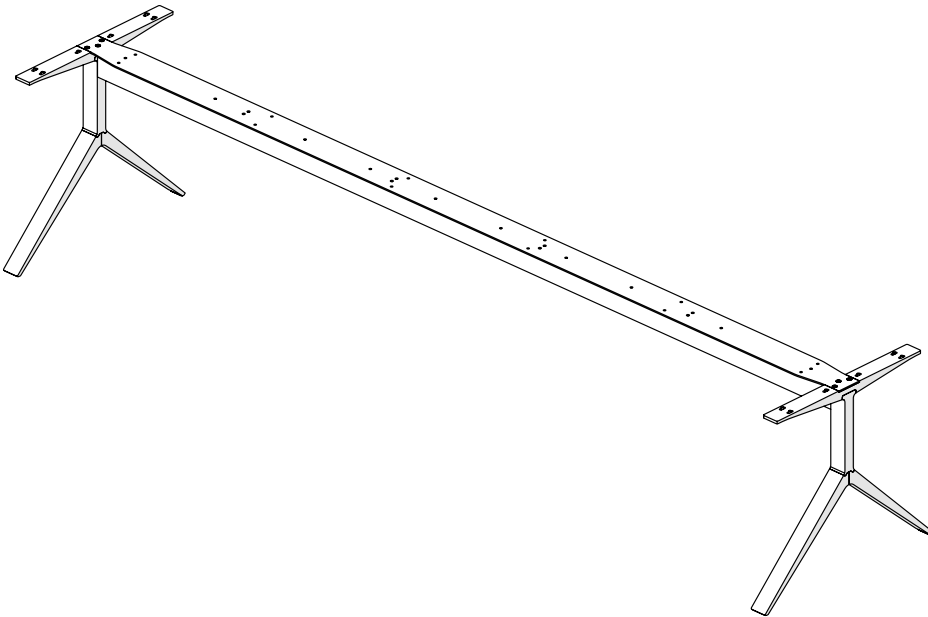
b) Insert the cross bar into the two leg frames. Then insert 2x M8x20 Countersunk Socket Screws into the pre-drilled holes in each end where the cross bar meets the leg. Use an Allen Key to firmly tighten all connections.



0
5
M
A
T
T
H
E
W
H
I
L
E
H
I
C
O
N

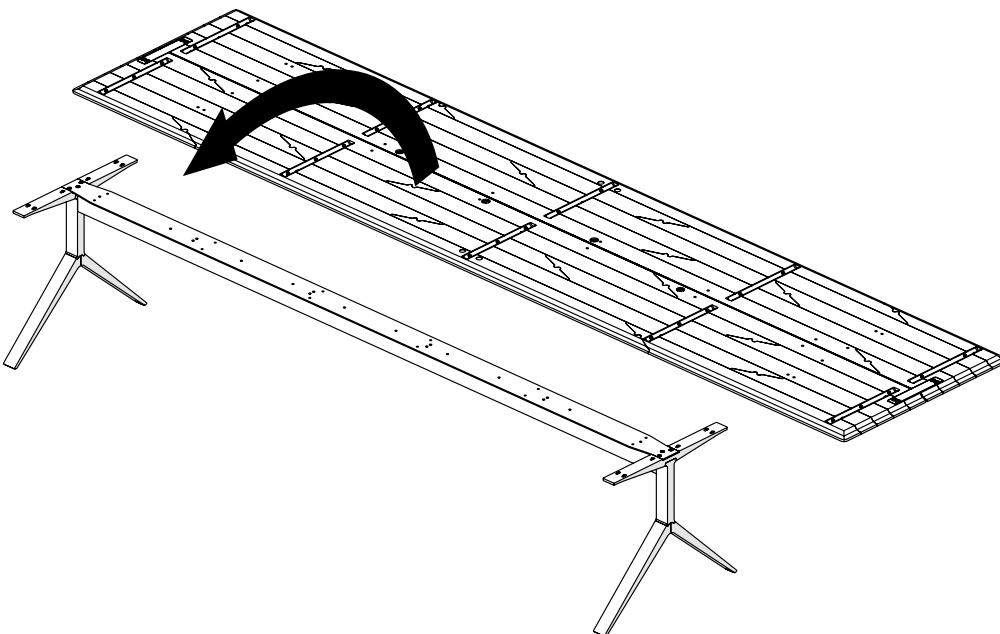
ASSEMBLY INSTRUCTIONS CONTINUED
OVERTON TABLE

e) The assembled leg structure looks like this.



3. ATTACH TABLETOP TO LEG STRUCTURE

a) With the help of 2 to 3 friends, flip the tabletop over into its natural upright position and place it on the leg structure, aligning the holes in each.



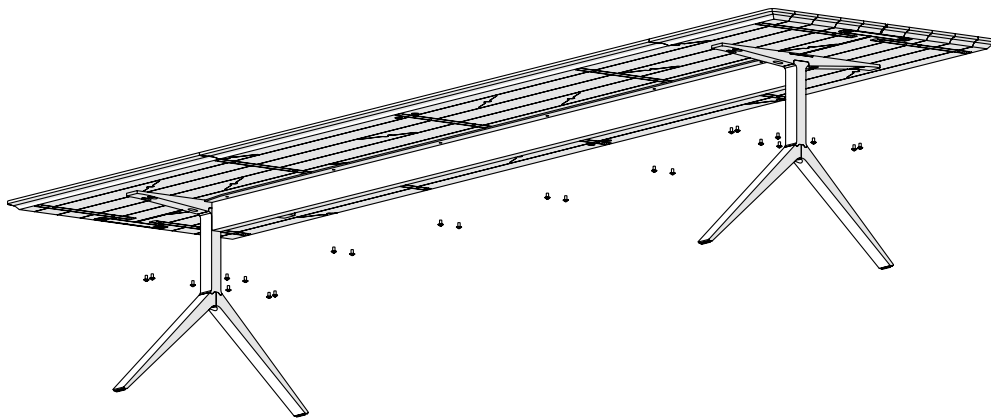
0
6
M
A
T
T
H
E
W
H
I
L
T
O
N

ASSEMBLY INSTRUCTIONS CONTINUED

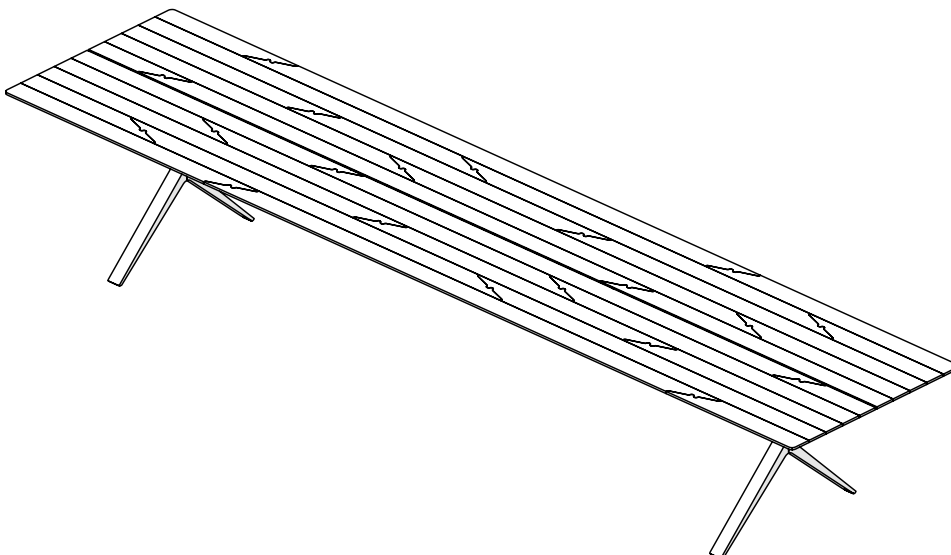
OVERTON TABLE

b) Insert 6x M8x25 Button Screws with washers through each leg frame and into the underside of the tabletop. Tighten each of the 12 screws with an Allen Key only loosely until all are in place. Then tighten firmly.

c) Insert 12x M8x20 Button Screws with washers through the underside of the leg structure cross bar and into the tabletop and tighten firmly.



5. Assembly is now complete and the table is ready for use.



0
7
M
A
T
T
H
E
W
H
I
L
H
O
N