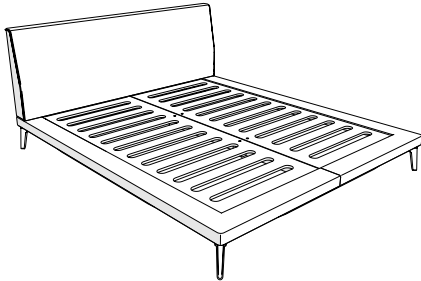


ASSEMBLY INSTRUCTIONS

MCQUEEN BED BY MATTHEW HILTON



PARTS

- 1x headboard
- 2x side beams
- 1x central beam
- 2x cross beams
- 4x wooden corner braces
- 2x halves of bed platform
- 4x metal feet

HARDWARE

(40x) M8x45 countersunk black screws

(20x) M6x40 silver socket cap screws and washers



YOU WILL NEED

- 6mm Allen Key
- 5mm Allen Key
- The help of a friend

NOTES

NOTE 1: Be certain that all assembly is carried out on a flat and stable surface. This will ensure a good final result. Reverse the steps to disassemble the piece.

NOTE 2: Your furniture arrives packed in numerous layers that protect it during transport. It is important that you remove the packaging carefully to avoid damaging your furniture. Refer to our information sheet "Unpacking Your Furniture" for further details.

NOTE 3: Great care is required when assembling our products. Use blankets to soften the assembly surface - hard surfaces such as wood or stone flooring may damage the furniture if in direct contact.

NOTE 4: We advise that assembly and disassembly of De La Espada furniture is undertaken by a minimum of 2 people.

NOTE 5: When screwing in bolts, tighten well, but be sure NOT TO OVERTIGHTEN. This can cause the thread to strip thus resulting in a poor connection.

O
1
M
A
T
T
H
E
W
W
H
I
L
T
O
N

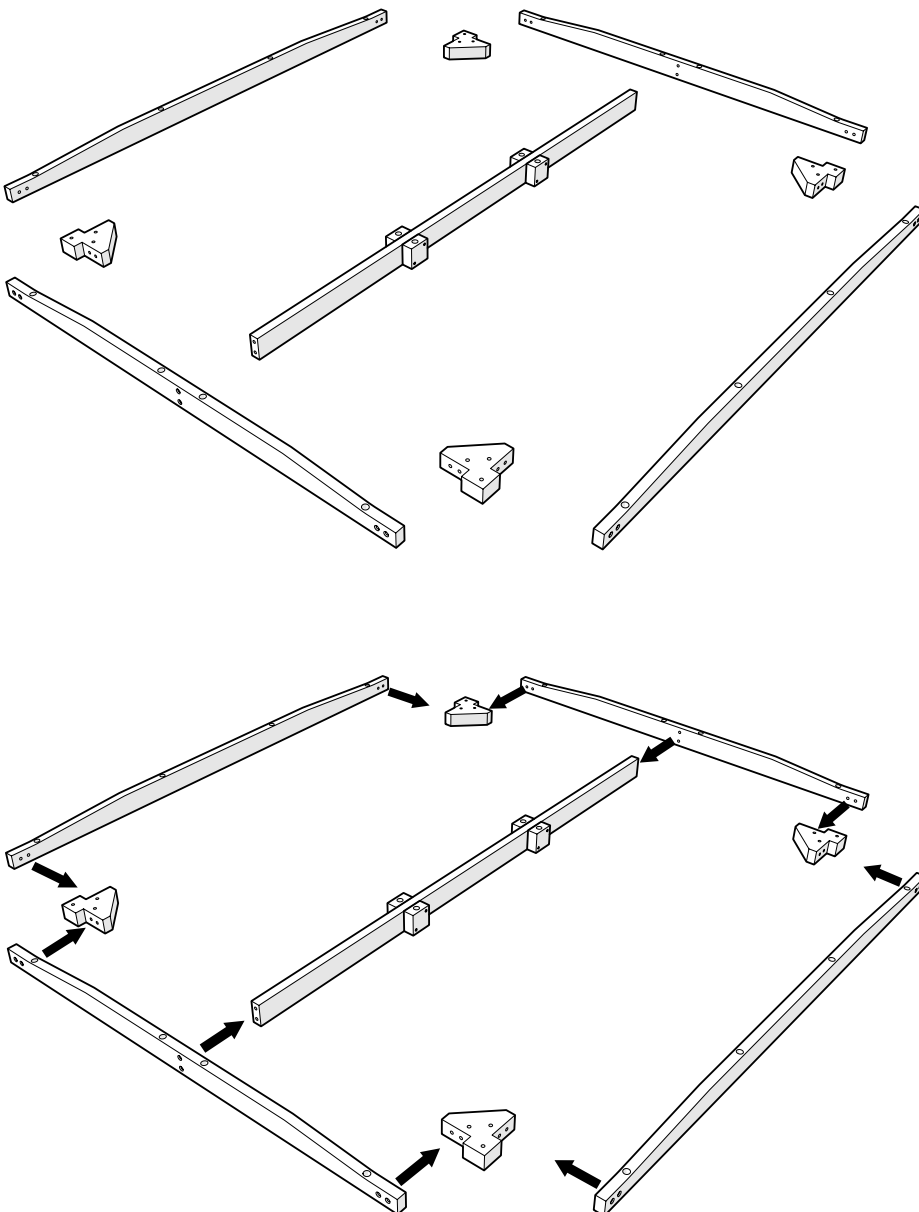
ASSEMBLY INSTRUCTIONS CONTINUED
MCQUEEN BED

NOTE 6: All mating parts are numbered so they correspond to the appropriate part around the frame of the bed. you will ensure the best possible fit if all parts are mated with the corresponding numbered parts. While you work, be sure all connections are flush with no gaps.

INSTRUCTIONS

1) ASSEMBLE SUBFRAME

a) Unpack subframe components and lay them face down on the floor, so they are in the correct orientation as shown below. Check for number markings. Note in the second image where the components will connect.



0

2

M

A

T

T

H

E

W

H

I

L

H

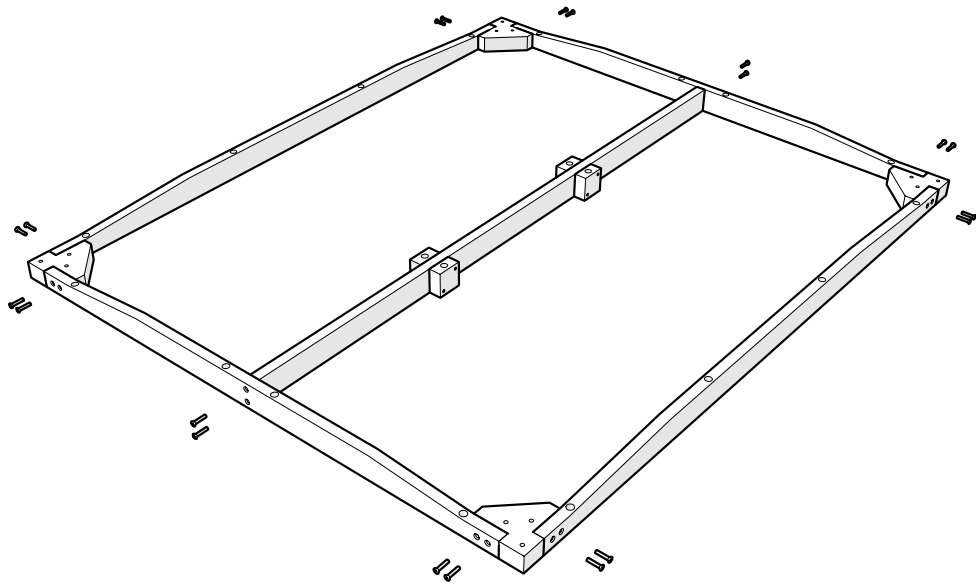
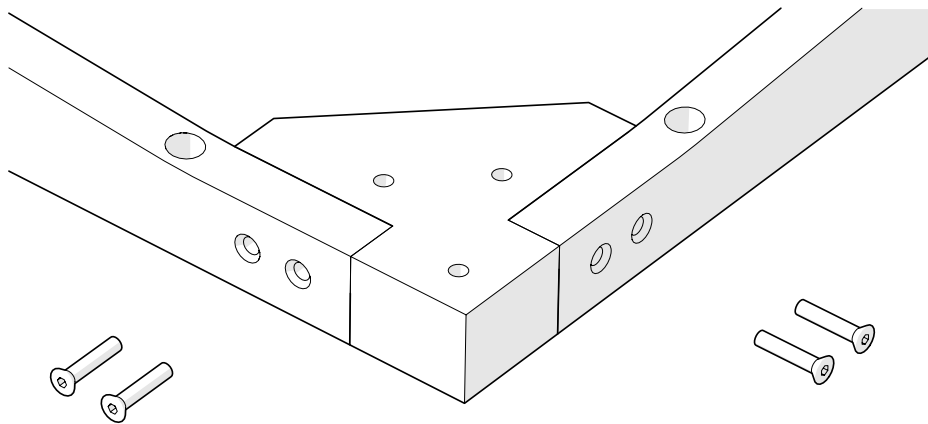
O

N

ASSEMBLY INSTRUCTIONS CONTINUED

MCQUEEN BED

b) Secure the components by inserting an M8x45 countersunk black screw into each pre-drilled hole where the components meet. Tighten each screw with an Allen key.



0

3

M

A

T

T

H

E

W

H

I

L

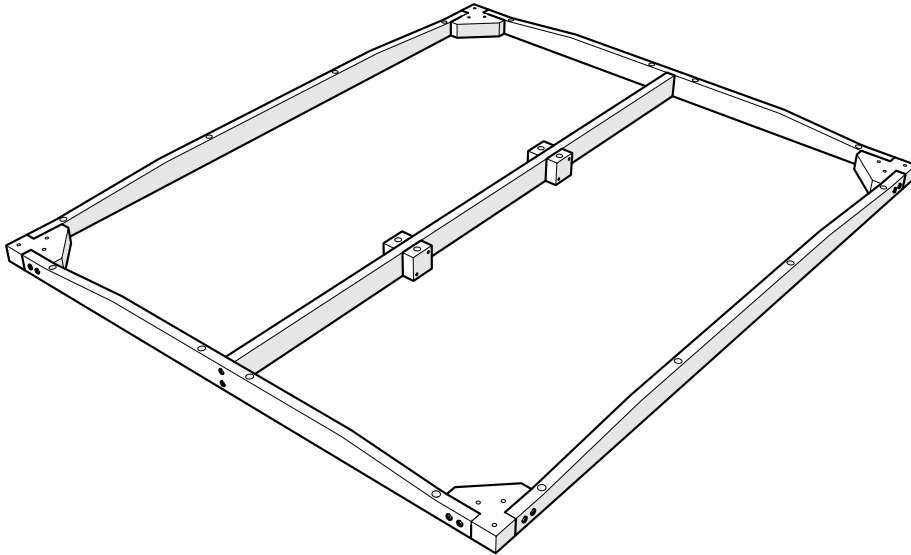
H

O

N

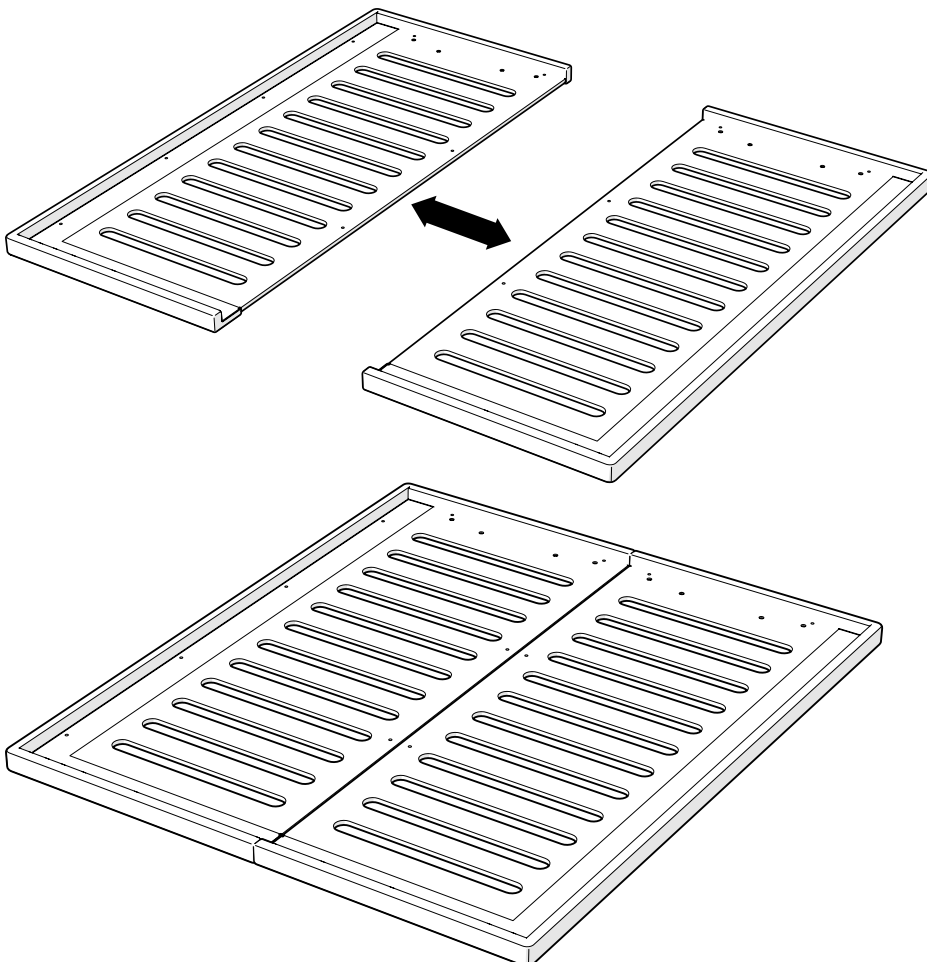
ASSEMBLY INSTRUCTIONS CONTINUED
MCQUEEN BED

c) The assembly should now look like this.



2) ATTACH BED PLATFORMS TO SUBFRAME

a) Place the two halves of the bed platform face down on the floor and push together as shown below.

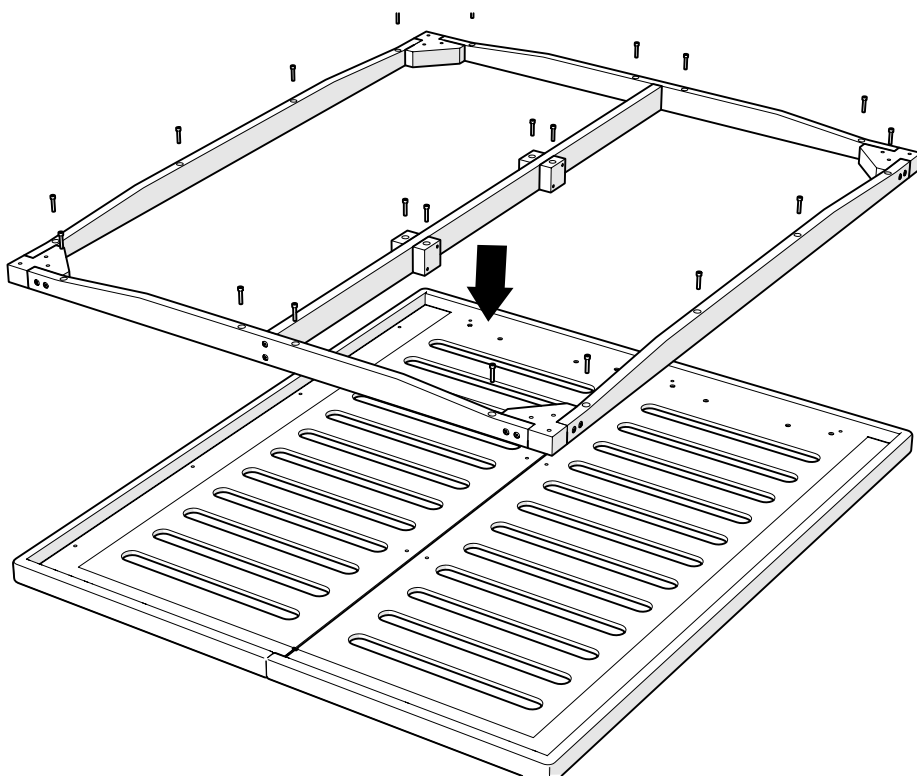


0
4
M
A
T
T
H
E
W
H
I
L
F
O
N

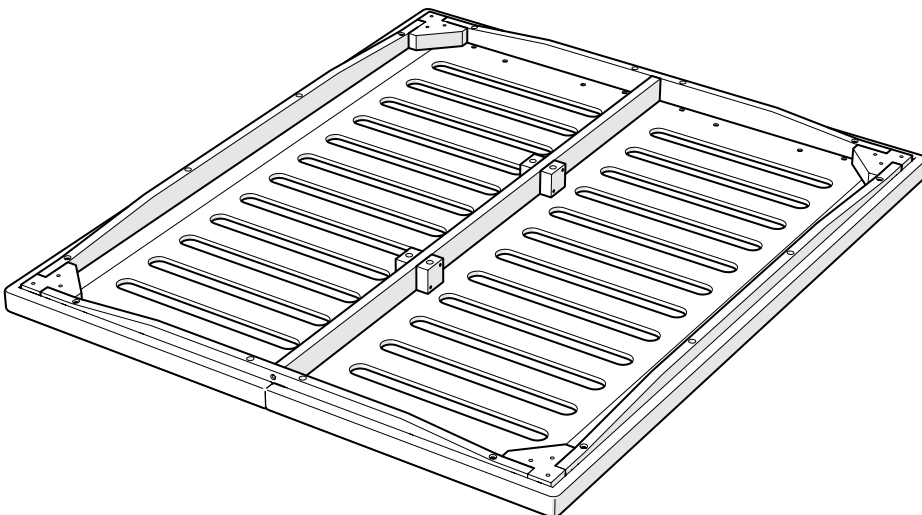
ASSEMBLY INSTRUCTIONS CONTINUED

MCQUEEN BED

b) With the help of a friend, carefully place the subframe, still face down, onto the platform halves, being sure to align the pre-drilled holes. Insert a washer into each pre-drilled hole in the subframe, then insert an M8x40 silver socket cap screw through each washer and through the platform halves. Tighten with an Allen key.



c) The assembly should now look like this.



0
5
M
A
T
T
H
E
W
H
I
L
T
O
N

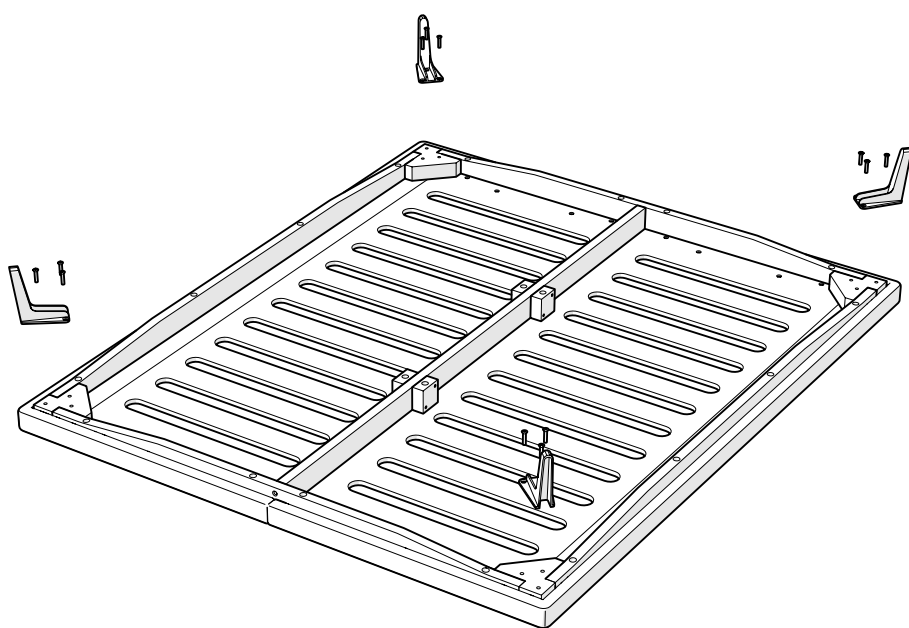
ASSEMBLY INSTRUCTIONS CONTINUED

MCQUEEN BED

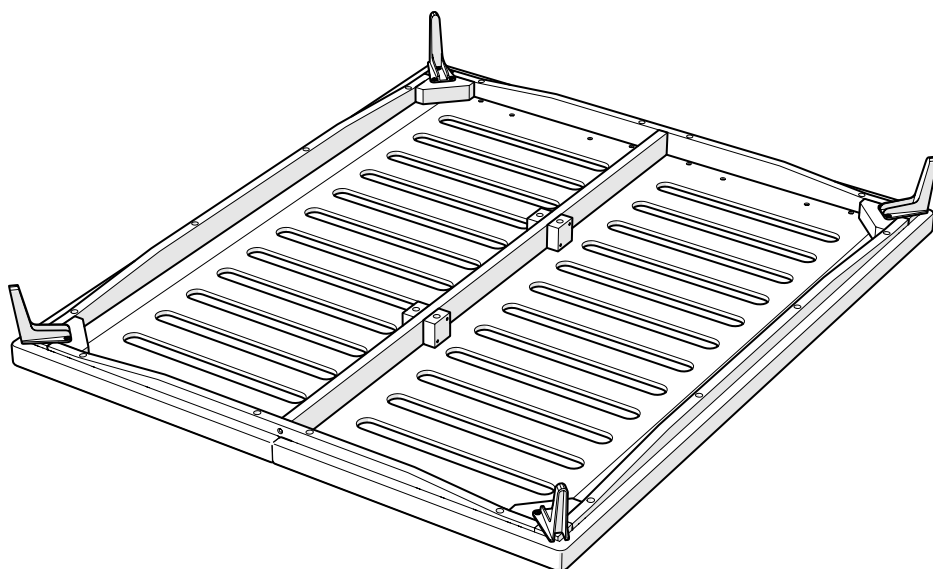
3) ATTACH METAL FEET

a) Place a metal foot onto each corner of the subframe, being sure to align the pre-drilled holes.

b) Insert three M8x45 countersunk black screws through each metal foot and into the subframe and tighten with an Allen key.



c) The assembly should now look like this.

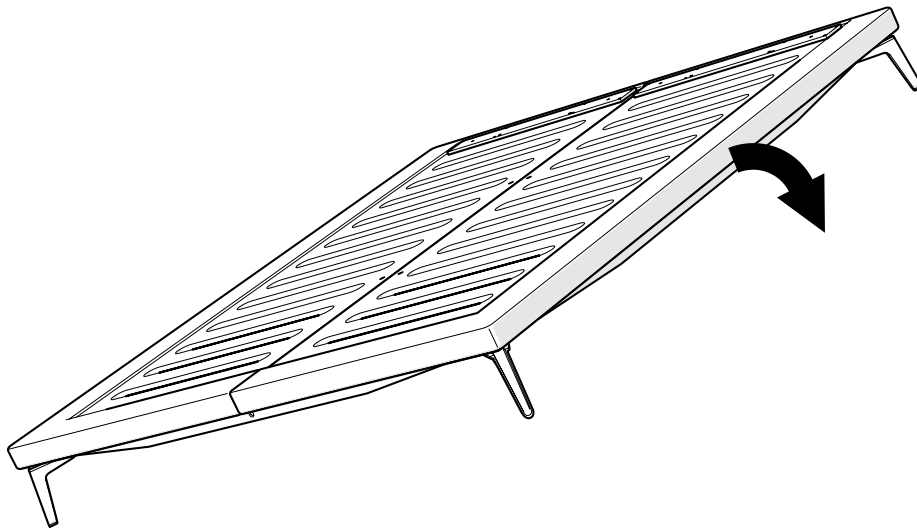


0
6
M
A
T
T
H
E
W
H
I
L
E
O
N

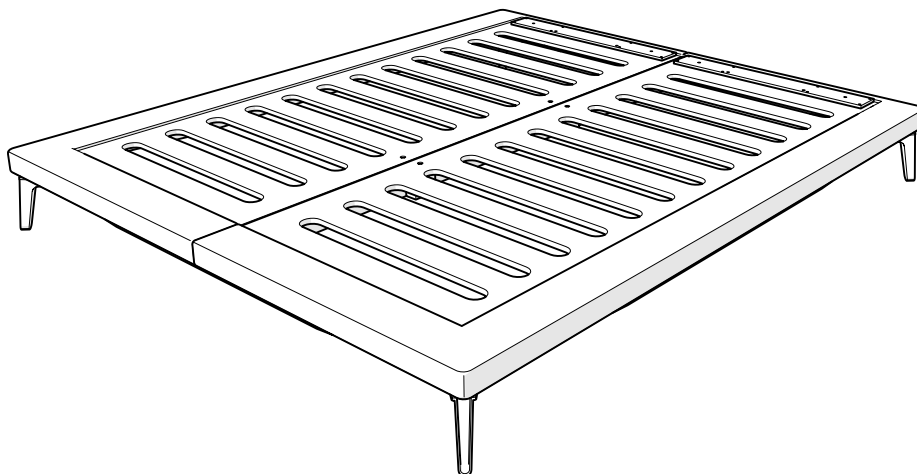
ASSEMBLY INSTRUCTIONS CONTINUED
MCQUEEN BED

4) FLIP PLATFORM ASSEMBLY INTO UPRIGHT POSITION

a) With the help of a friend, turn the platform assembly over into its natural upright position, being careful not to rest it on the feet while flipping.



b) The assembly should now look like this.



0
7
M
A
T
T
H
E
W
H
I
L
H
O
N

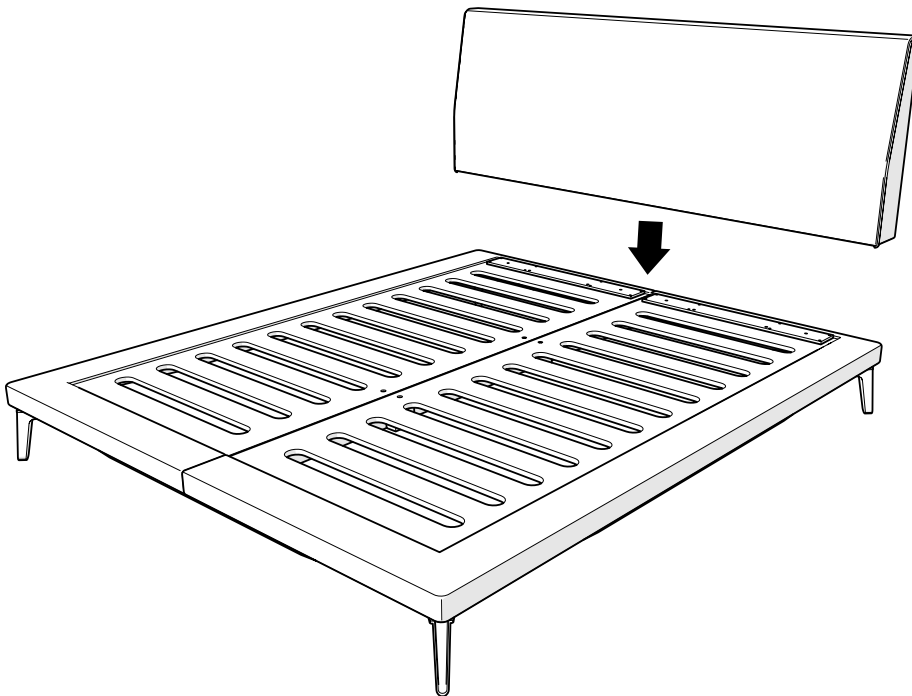
ASSEMBLY INSTRUCTIONS CONTINUED

MCQUEEN BED

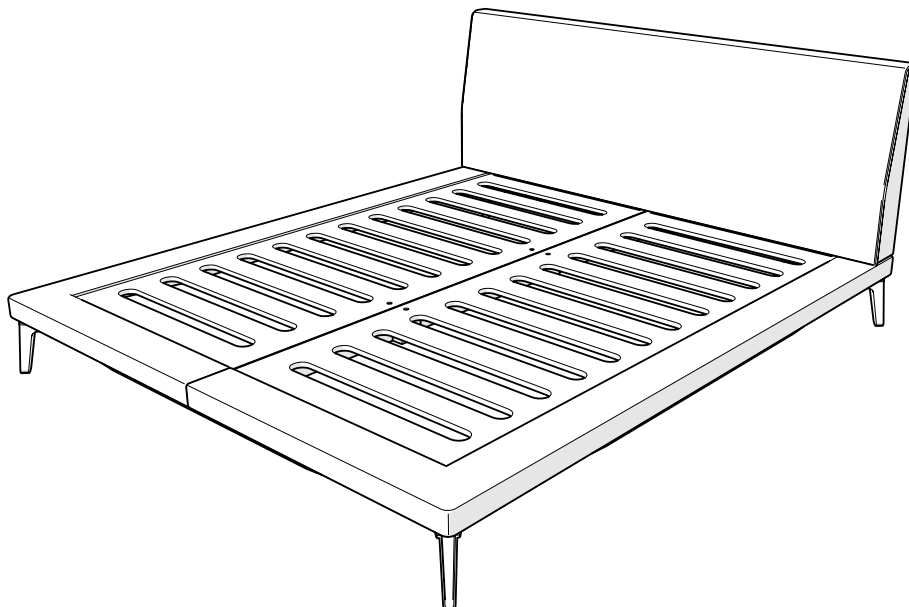
5) ATTACH THE HEADBOARD

a) Place the headboard onto the platform base, being sure to align the pre-drilled holes.

b) From below, insert eight M8x45 countersunk black screws through the platform base and into the headboard, tightening with an Allen Key.



c) Assembly is now complete and the bed is ready to receive a mattress.



0
8
M
A
T
T
H
E
W
H
I
L
F
O
N