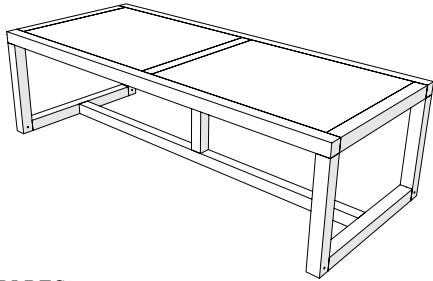


ASSEMBLY INSTRUCTIONS

762 STRUCTURE TABLE BY NERI&HU



PARTS

- 1x Tabletop
- 2x Leg frames
- 1x Cross beam
- 1x Vertical support beam

Hardware:

- (2x) Universal connector
- (2x) M8x40 Metal dowel



- (10x) M8x70 bolts



- (1x) threaded rod



- (2x) M8x100 bolts



YOU WILL NEED

- 5mm Allen Key
- 6mm Allen Key
- The help of a friend

NOTES

NOTE 1: Be certain that all assembly is carried out on a flat and stable surface. This will ensure a good final result. Reverse the steps to disassemble the piece.

NOTE 2: Your furniture arrives packed in numerous layers that protect it during transport. It is important that you remove the packaging carefully to avoid damaging your furniture. Refer to our information sheet "Unpacking Your Furniture" for further details.

NOTE 3: Great care is required when assembling our products . Use blankets to soften the assembly surface - hard surfaces such as wood or stone flooring may damage the furniture if in direct contact.

NOTE 4: We advise that assembly and disassembly of De La Espada furniture is undertaken by a minimum of 2 people.

NOTE 5: When screwing in bolts, tighten well, but be sure NOT TO OVERTIGHTEN. This can cause the thread to strip thus resulting in a poor connection.

NOTE 6: While you work, be sure all connections are flush with no gaps.

O
1
N
E
R
I
&
H
U

ASSEMBLY INSTRUCTIONS CONTINUED

762 STRUCTURE TABLE

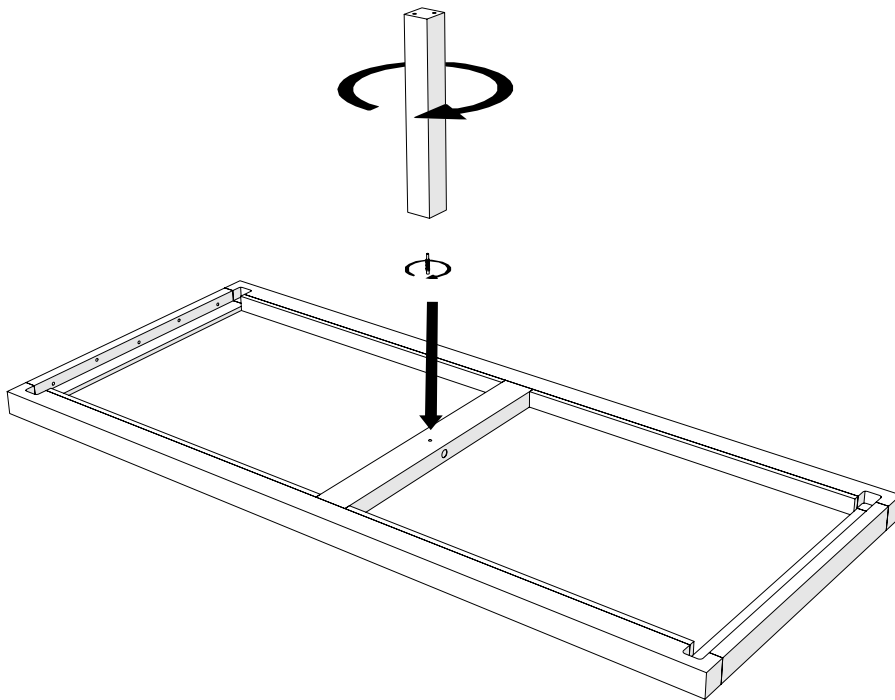
NOTE 7: After assembly, ensure that the table is resting on a level surface.

INSTRUCTIONS

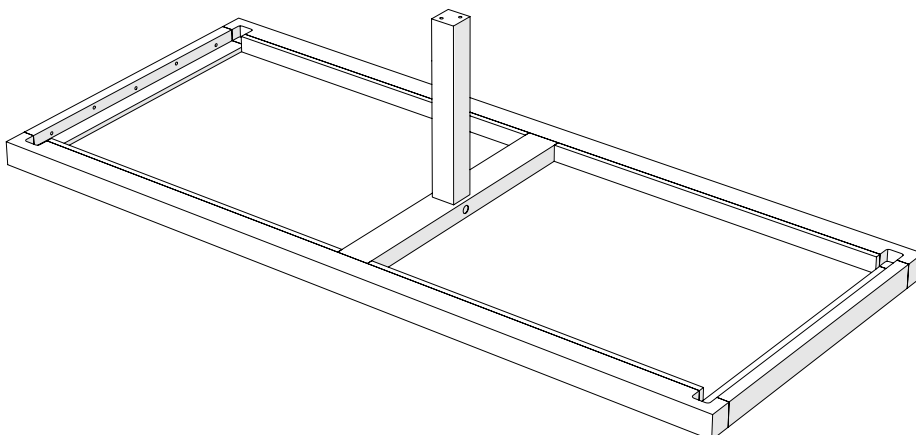
1) ATTACH VERTICAL SUPPORT BEAM TO TABLETOP

a) Place the tabletop upside down a clean, soft surface such as blanket or carpet on the floor.

b) Screw the small threaded rod into the pre-drilled hole in the vertical support beam, then screw it into the central hole on the underside of the tabletop. Tighten firmly without overtightening.



c) The assembly should now look like this.



0

2

N

E

R

I

&

H

U

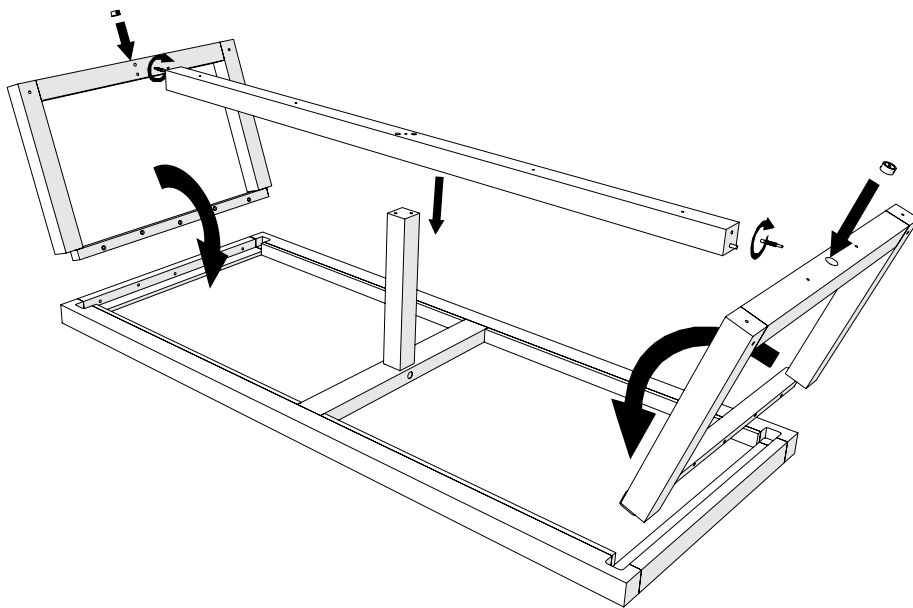
ASSEMBLY INSTRUCTIONS CONTINUED

762 STRUCTURE TABLE

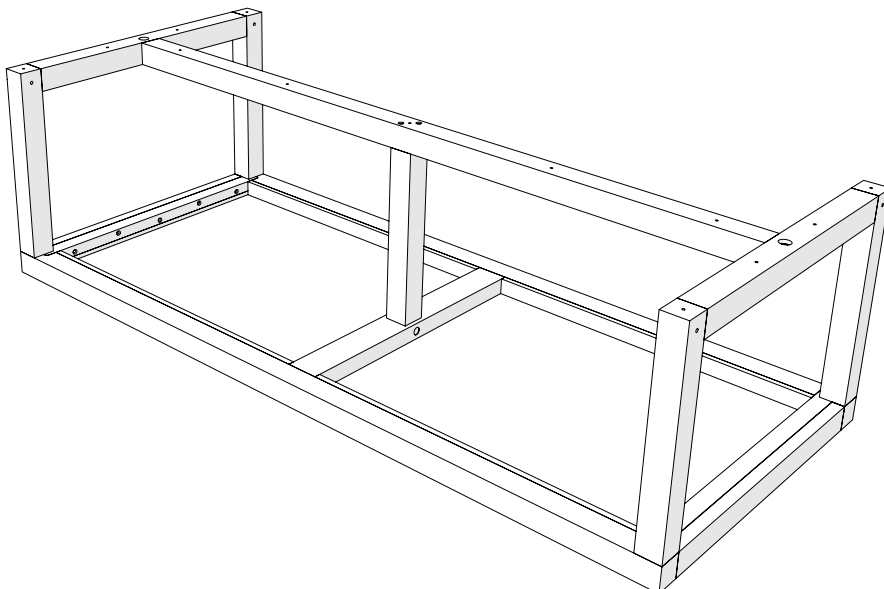
2) ATTACH LEG FRAMES AND CROSS BEAM TO ASSEMBLY

a) Screw the two metal dowels into the pre-drilled holes in either end of the cross beam, and insert the two Universal Connectors into the rebates in each leg frame.

b) Angle the leg frames into the channels at either end of the tabletop while guiding the metal dowels into the Universal Connectors. Tighten the connections with an Allen Key.



c) The assembly should now look like this.



0
3
N
E
R
I
&
H
U

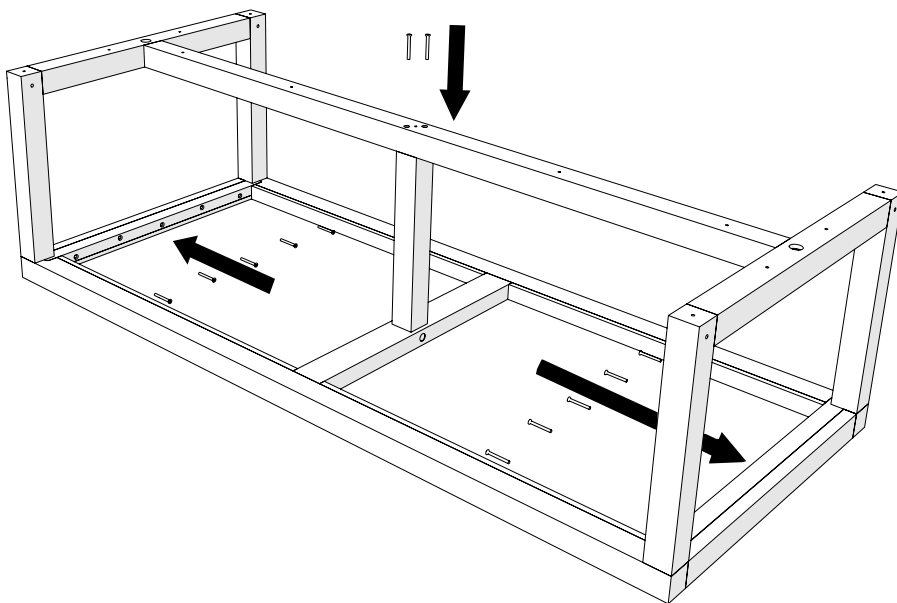
ASSEMBLY INSTRUCTIONS CONTINUED

762 STRUCTURE TABLE

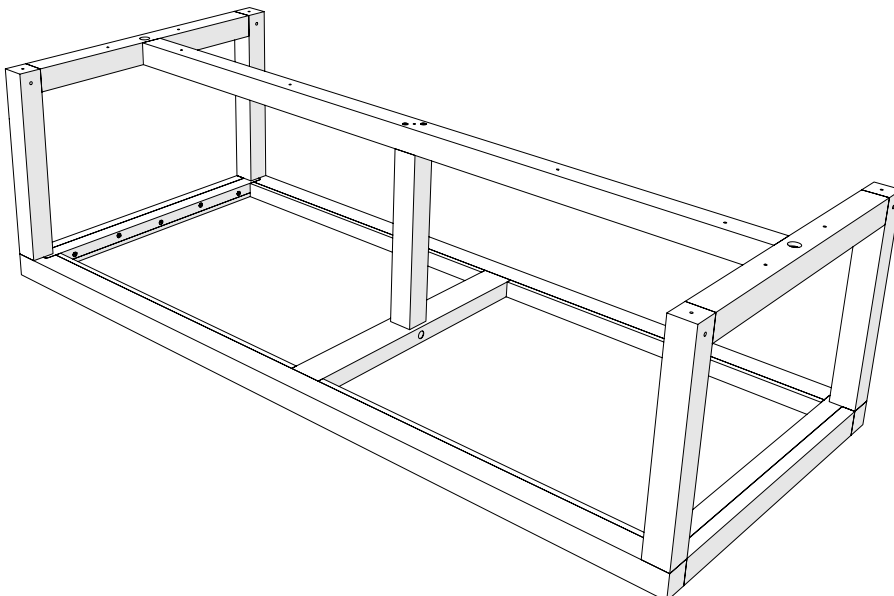
3) SECURE LEG FRAMES TO TABLETOP

a) Insert the two M8x100 bolts into the pre-drilled holes in the cross beam and into the vertical support beam. Tighten with an Allen Key.

b) Insert the ten M8x70 bolts into the pre-drilled holes where the leg frames meet the tabletop frame. Tighten with an Allen Key.



c) The assembly should now look like this.



0
4
N
E
R
I
&
H
U

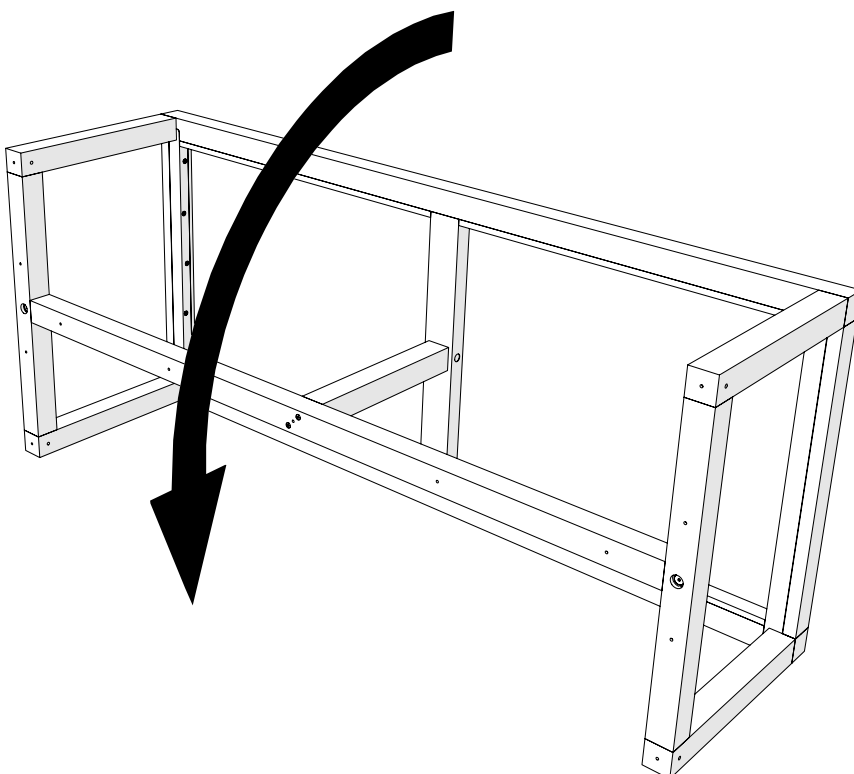
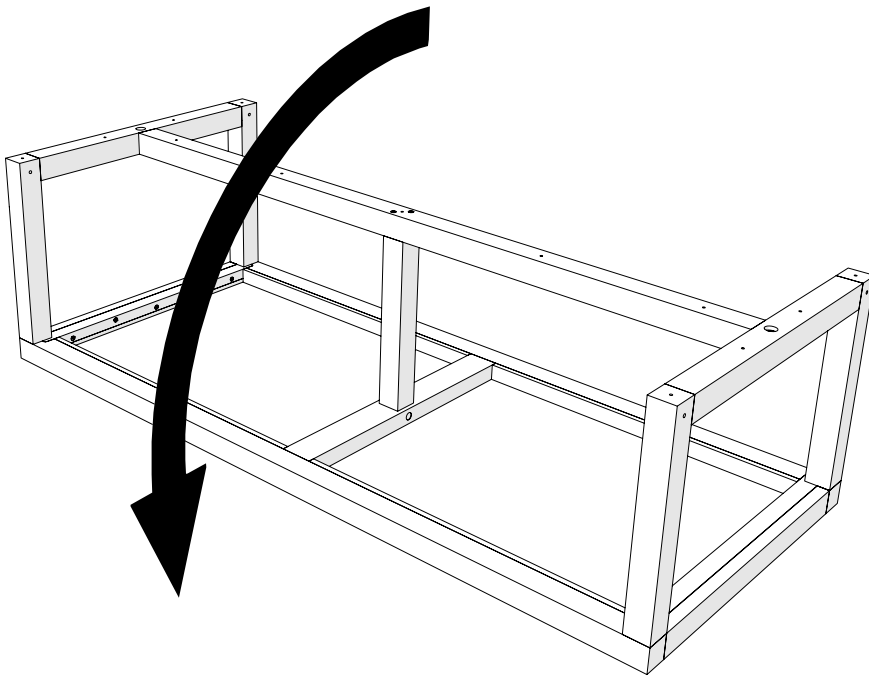
ASSEMBLY INSTRUCTIONS CONTINUED

762 STRUCTURE TABLE

4) TURN THE TABLE INTO AN UPRIGHT POSITION

a) With the help of a friend, carefully turn the table over into an upright position, by first turning it onto its side, then turning it over onto its base. **IMPORTANT:** Be sure to lift the table off the floor completely as it is flipped, as opposed to leaning it on the edges or corners. If this is not possible, use extra blankets and cushioning on the edges.

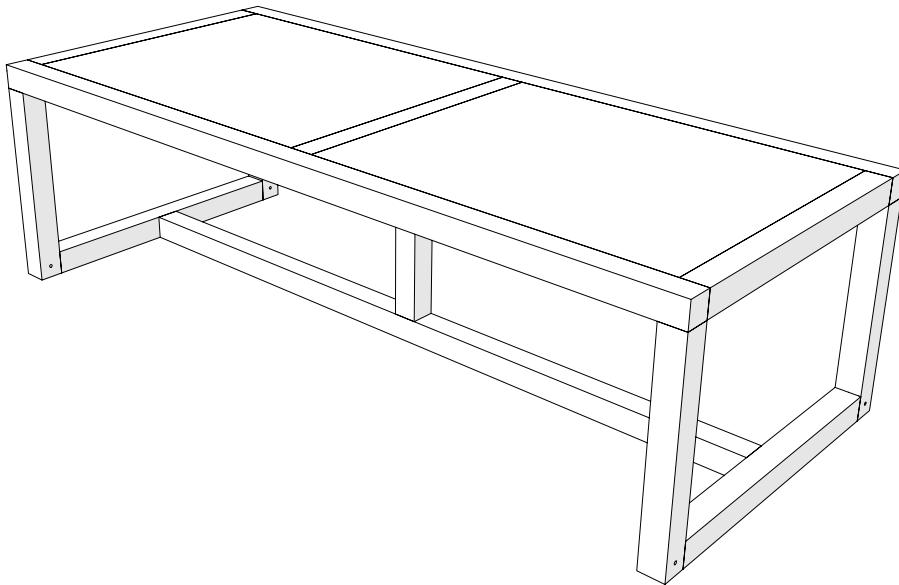
0
5
N
E
R
I
&
H
C



ASSEMBLY INSTRUCTIONS CONTINUED

762 STRUCTURE TABLE

c) The assembly is now complete and the table is ready for use.



0
6
N
E
R
I
&
H
C