

INSTALLATION INSTRUCTIONS

390RS NITERÓI BY MATTHEW HILTON



The components of this light are milled from solid billets of aluminium or brass using highly sophisticated precision engineering. The aluminium has been anodised to increase resistance to corrosion and wear. The brass is inherently resistant to corrosion and wear, and as it is uncoated, will develop a patina over time.

You will notice the components change colour with age, which is normal for these materials.

Refer to the De La Espada website for care instructions specific to each material and finish.

NOTES

NOTE 1: This chandelier must be installed by a professional electrician or De La Espada-approved installer.

NOTE 2: Before you start any kind of electrical work, first isolate the circuit by removing the circuit fuse or by switching and locking the circuit breaker. Double-check it is dead by using a socket tester or voltage tester. Never take risks with electrical safety!

NOTE 3: Great care is required when installing this light, as it can mark easily if banged or dropped. Once you begin attaching the looms, they may have a tendency to swing. To protect the pendants, it is important to keep each wrapped in its protective sleeve until installation is complete.

IMPORTANT! ALWAYS USE GLOVES WHEN HANDLING BRASS PRODUCTS.

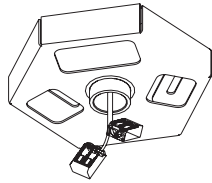
Our brass is uncoated to embrace the natural patina that will develop over time. Never handle brass with your bare hands, as the oils in your skin will cause the surface to oxidise more quickly in the areas you touch, highlighting your finger prints. If you ordered your product in brass, you will find white gloves in the supplied hardware box.

O
1
M
A
T
T
H
E
W
H
I
L
T
O
N

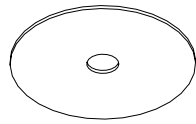
INSTALLATION INSTRUCTIONS
NITERÓI BY MATTHEW HILTON

KEY (NOT TO SCALE)

Anchor Box



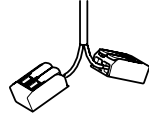
Fascia Plate



Steel Connector



Electrical Connector



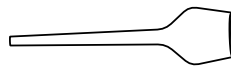
Cable Gripper



Connector



Pendant



Loom



0
2
M
A
T
T
H
E
W
H
I
L
T
O
N

INSTALLATION INSTRUCTIONS CONTINUED

NITERÓI BY MATTHEW HILTON

YOU WILL NEED

- 4mm Allen Key
- Socket tester or voltage tester
- Wall plugs suitable for your ceiling type
- 3x 5mm Screws
- A drill with a 5mm drill bit
- Philips head screwdriver
- A professional electrician
- The help of a friend

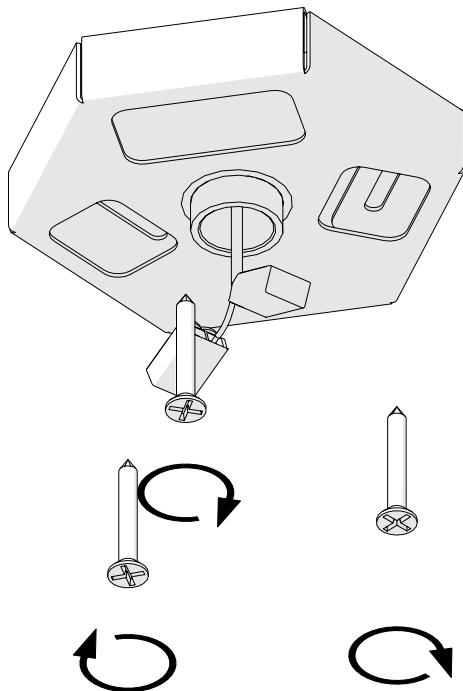
CUSTOMISING DROP LENGTH

Should you require a shorter drop, you can cut the cable to your preferred length. Be sure to add an extra 10cm to your desired cable length to allow the cable to connect comfortably inside the anchor box. Once you have cut a cable, you need to strip back the wires to allow for connection and replace the cable gripper and connector.

INSTRUCTIONS

1) ATTACH ANCHOR BOX TO CEILING

- a) Determine the best placement for the light. Use a pencil to mark the ceiling with the positions of the mounting holes.
- b) Drill holes into the ceiling where marked, and insert a wall plug into each hole.
- c) Place the anchor box onto the ceiling, aligning the holes, and feeding the electric cables through the central hole. Secure the anchor plate with the 5mm screws.



O
3
M
A
T
T
H
E
W
H
I
L
T
O
N

INSTALLATION INSTRUCTIONS CONTINUED

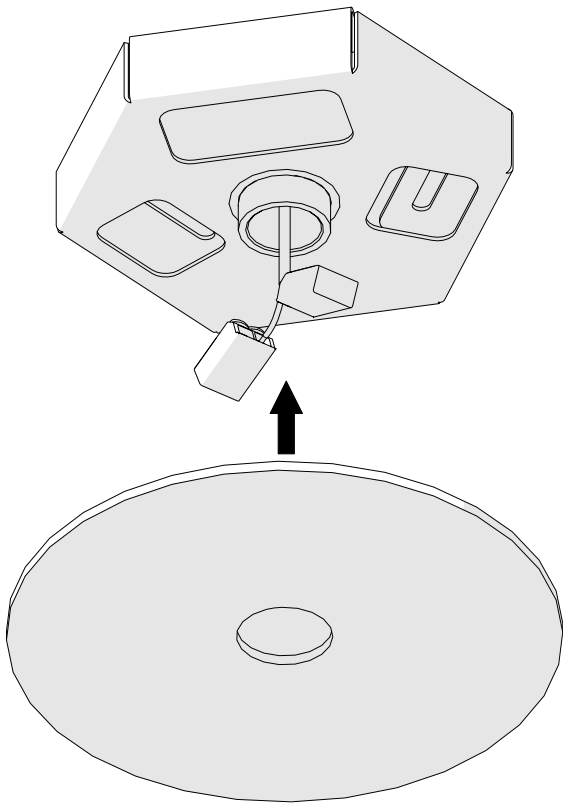
NITERÓI BY MATTHEW HILTON

2) PERFORM THE WIRING

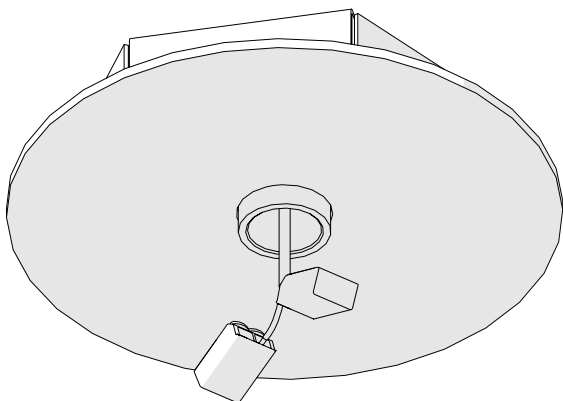
a) Once the anchor box is mounted in place, proceed with the connection of the transformers to the mains electrical feed.

3) ATTACH FASCIA PLATE

a) Position the fascia plate onto the anchor box, pulling the electrical connector through the fascia plate as it is pushed into contact with the anchor box.



b) Hold the fascia plate in position while attaching the loom.



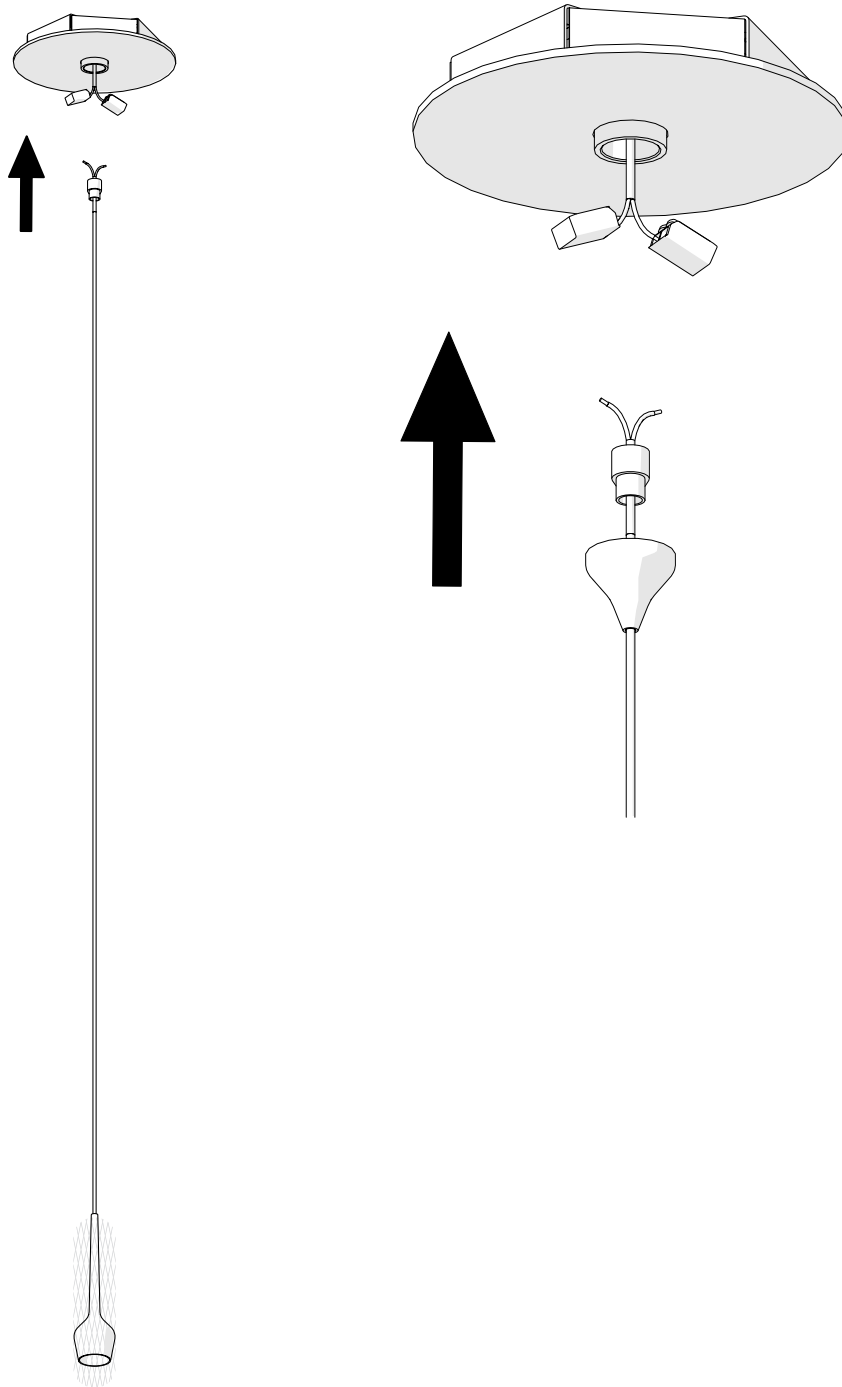
0
4
M
A
T
T
H
E
W
H
I
L
T
O
N

INSTALLATION INSTRUCTIONS CONTINUED

NITERÓI BY MATTHEW HILTON

4) ATTACH THE LOOM

a) Remove the loom from it's box, being sure to keep the protective sleeve in place for protection, and prepare to connect it to the fascia plate.

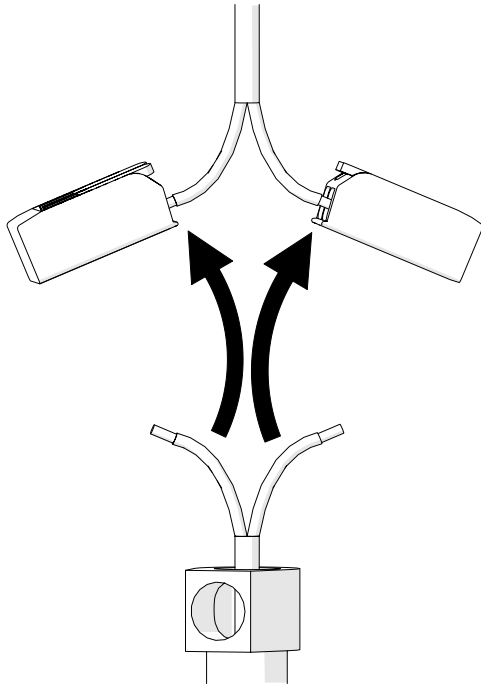


0
5
M
A
T
T
H
E
W
H
I
L
T
O
N

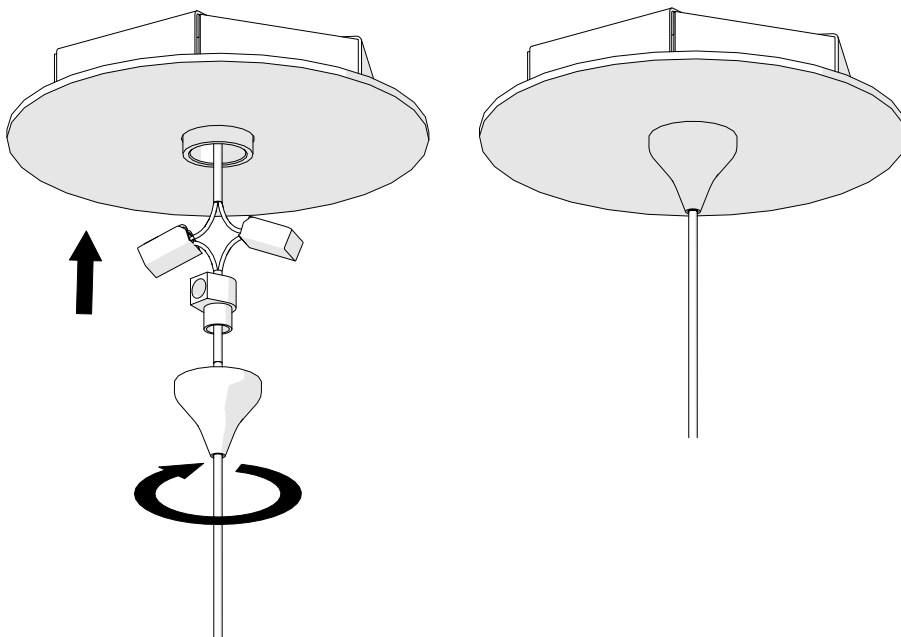
INSTALLATION INSTRUCTIONS CONTINUED

NITERÓI BY MATTHEW HILTON

b) Connect the cables coming out of the loom to the electrical connectors coming out of the anchor box. Ensure the white cable connects to the black cable slot on the electrical connector and the red with the red cable slot.



c) Push the electrical connectors up into the anchor box, and screw the connector onto the steel connector coming out of the fascia plate.

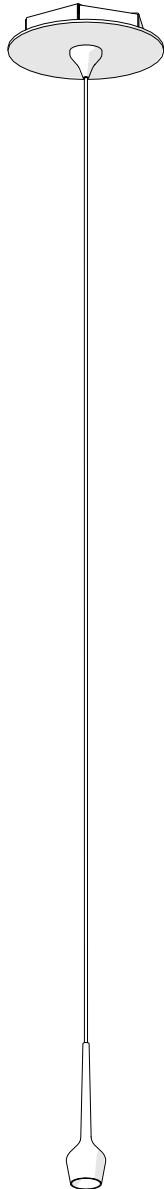


0
6
M
A
T
T
H
E
W
H
I
L
T
O
N

INSTALLATION INSTRUCTIONS CONTINUED

NITERÓI BY MATTHEW HILTON

d) Once the loom is connected, the protective sleeve can be removed. The light is now ready for operation and can be connected to the power.



0
7
M
A
T
T
H
E
W
H
I
L
T
O
N