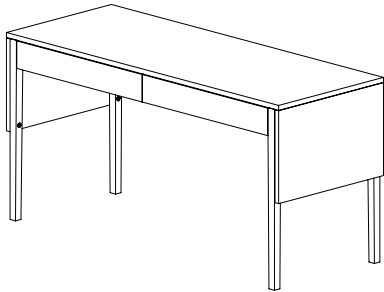


**ASSEMBLY INSTRUCTIONS**

DRAPE DESK BY NERI&HU



PARTS

- 1x Desk body
- 2x Leg frames with leather side panels
- 2x Drawers

Hardware:

- (16x) M8x45 Countersunk Screws



YOU WILL NEED

- 6mm Allen Key
- The help of a friend

NOTES

NOTE 1: Be certain that all assembly is carried out on a flat and stable surface. This will ensure a good final result. Reverse the steps to disassemble the piece.

NOTE 2: Your furniture arrives packed in numerous layers that protect it during transport. It is important that you remove the packaging carefully to avoid damaging your furniture. Refer to our information sheet "Unpacking Your Furniture" for further details.

NOTE 3: Great care is required when assembling our products . Use blankets to soften the assembly surface - hard surfaces such as wood or stone flooring may damage the furniture if in direct contact.

NOTE 4: We advise that assembly and disassembly of De La Espada furniture is undertaken by a minimum of 2 people.

NOTE 5: When screwing in bolts, tighten well, but be sure NOT TO OVERTIGHTEN. This can cause the thread to strip thus resulting in a poor connection.

NOTE 6: While you work, be sure all connections are flush with no gaps.

NOTE 7: After assembly, ensure that the desk is resting on a level surface.

O  
1  
N  
E  
R  
I  
&  
H  
U

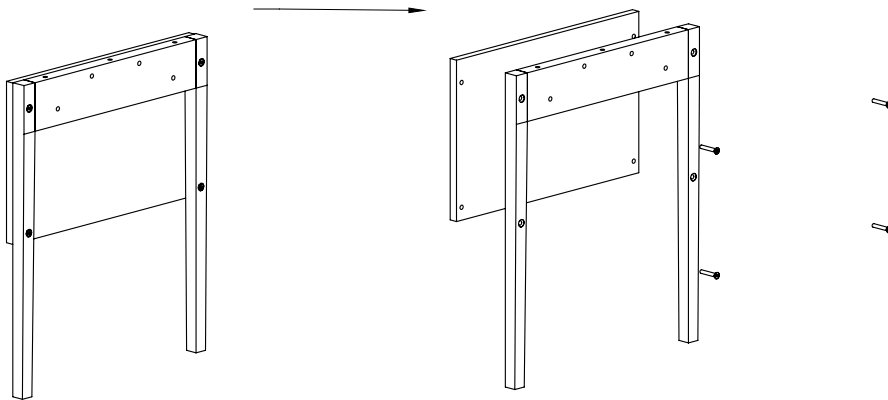
**ASSEMBLY INSTRUCTIONS CONTINUED**

DRAPE DESK BY NERI&HU

INSTRUCTIONS

1. REMOVE LEATHER SIDE PANELS FROM LEG FRAMES

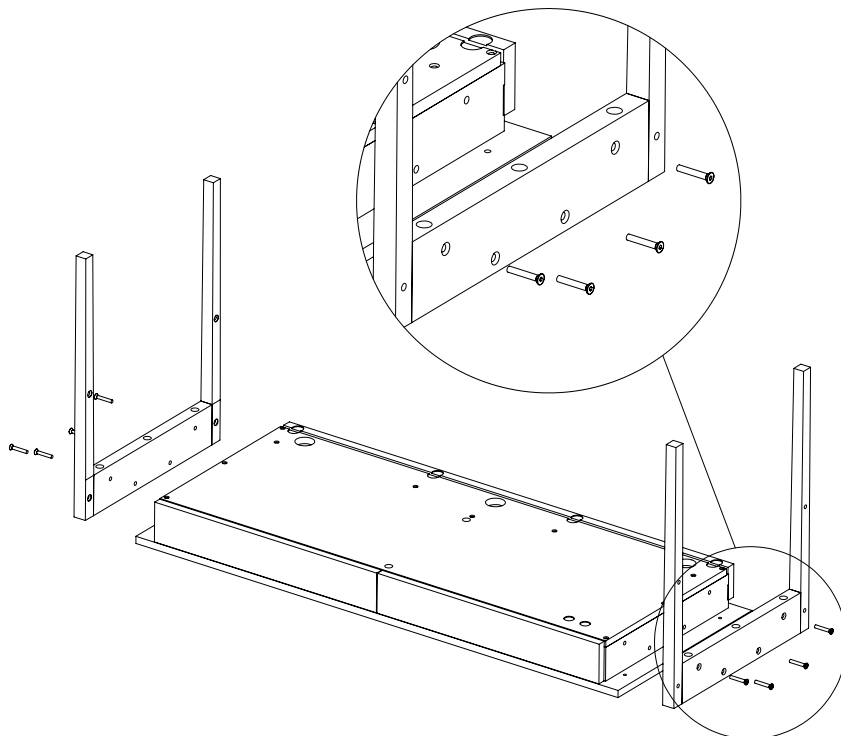
a) Using an Allen Key, unscrew each of the four M8x45 Countersunk screws attaching each leather side panel to each leg frame. Place the leather side panels and screws to one side, to be reattached at a later stage.



2) ATTACH LEG FRAMES TO DESK BODY

a) Carefully place the desk body face down onto a softened surface on the floor.

b) One at a time, attach each leg frame to each side of the desk body, being sure to follow the number markings to ensure the best fit. Insert four M8x45 countersunk screws through each leg frame and into the desk body, tightening firmly with an Allen key.



0

2

N

E

R

I

&

H

U

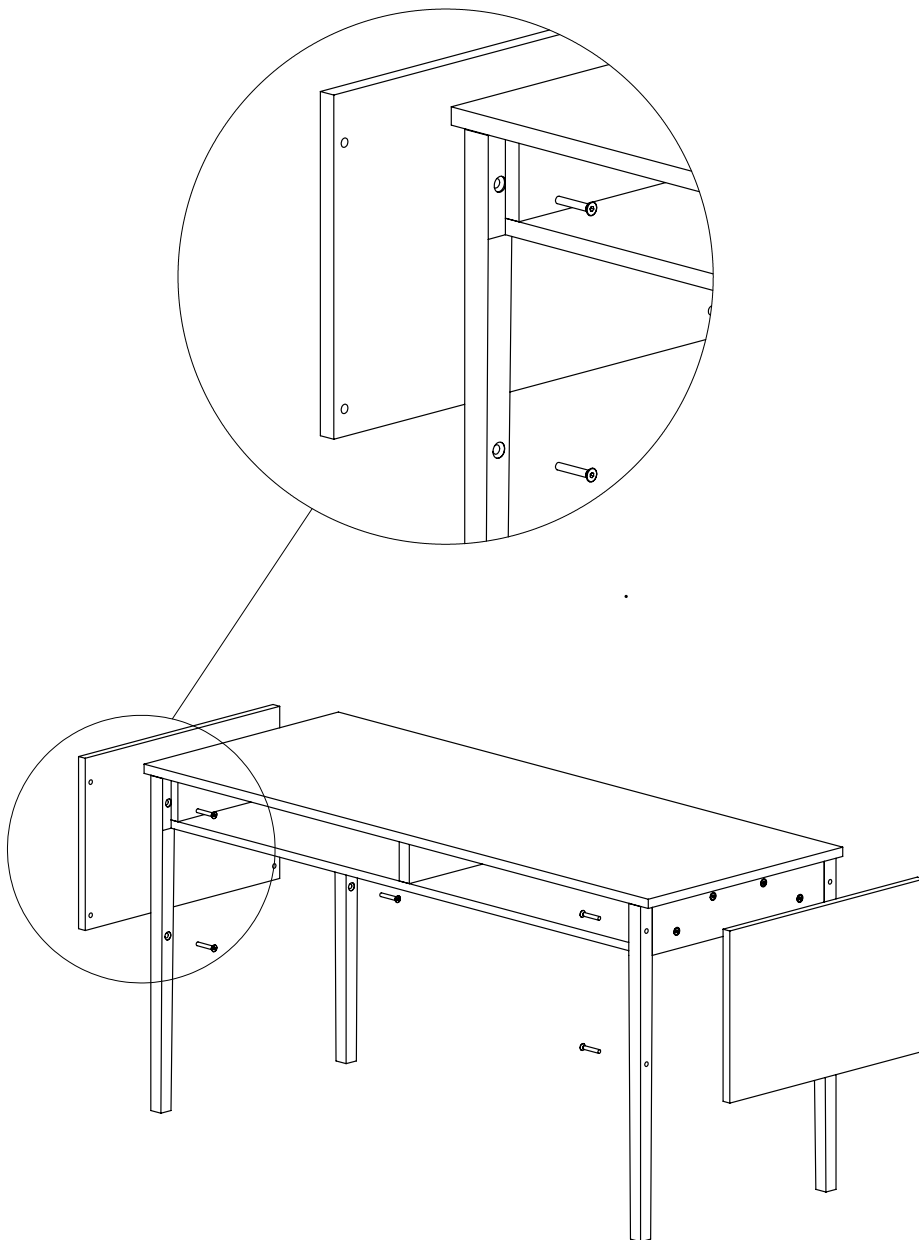
**ASSEMBLY INSTRUCTIONS CONTINUED**

DRAPE DESK BY NERI&HU

3) REATTACH LEATHER SIDE PANELS

a) With the help of a friend, carefully turn the assembled structure over into an upright position, taking care not to place any weight/force on the legs while turning.

b) One at a time, replace the leather side panels, aligning the pre-drilled holes before inserting four M8x45 countersunk screws into each panel and tightening with an Allen key.

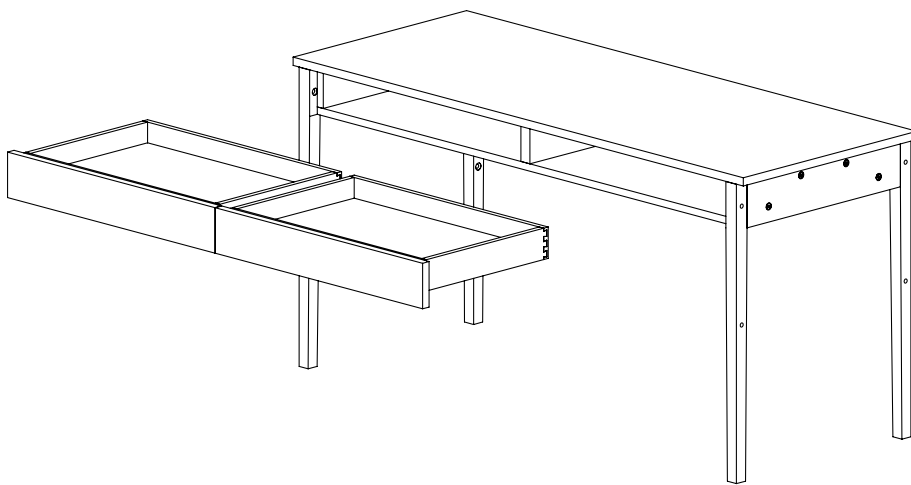


0  
3  
N  
E  
R  
I  
&  
H  
U

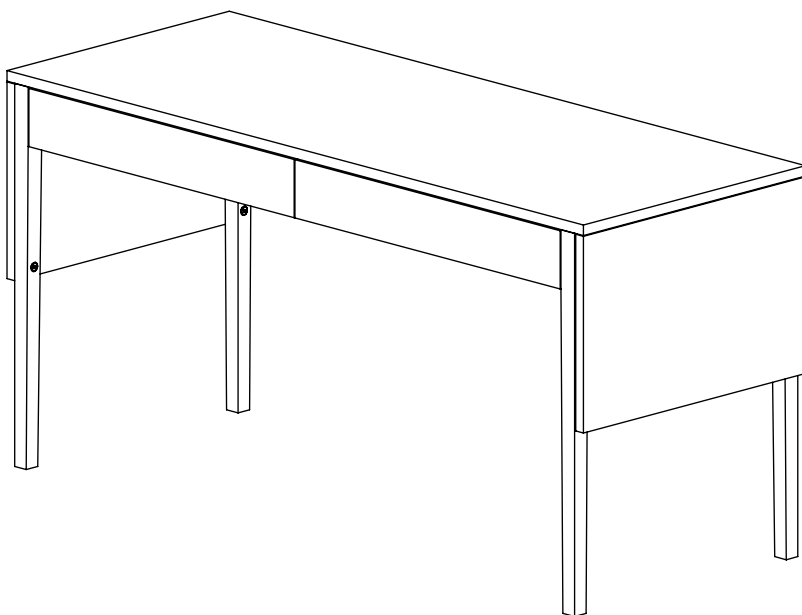
**ASSEMBLY INSTRUCTIONS CONTINUED**  
**DRAPE DESK BY NERI&HU**

4) INSERT DRAWERS

a) One at a time, insert the drawers. Locate the orange release clips on the underside of each drawer. Pull the release clips toward you while pushing the drawer onto the drawer rails, releasing as you push in the drawer fully.



b) Assembly is now complete and the desk is ready for use.



0  
4  
N  
E  
R  
I  
&  
H  
U