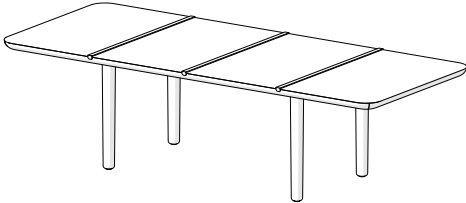


ASSEMBLY INSTRUCTIONS

108ML MARLON RECTANGULAR TABLE BY NICHETTO



PARTS

1x Timber tabletop subframe
4x Marble panels
4x Legs

HARDWARE

(16x) M6x30 Countersunk Screws



YOU WILL NEED

5mm heavy duty Allen Key
The help of a friend

NOTES

NOTE 1: Be certain that all assembly is carried out on a flat and stable surface. This will ensure a good final result. Reverse the steps to disassemble the piece.

NOTE 2: Your furniture arrives packed in numerous layers that protect it during transport. It is important that you remove the packaging carefully to avoid damaging your furniture. Refer to our information sheet "Unpacking Your Furniture" for further details.

NOTE 3: Great care is required when assembling our products . Use blankets to soften the assembly surface - hard surfaces such as wood or stone flooring may damage the furniture if in direct contact.

NOTE 4: We advise that assembly and disassembly of De La Espada furniture is undertaken by a minimum of 2 people.

NOTE 5: When screwing in bolts, tighten well, but be sure NOT TO OVERTIGHTEN. This can cause the thread to strip thus resulting in a poor connection.

NOTE 6: All mating parts are numbered. You will ensure the best possible fit if all parts are mated with the corresponding numbered parts. While you work, be sure all connections are flush with no gaps.

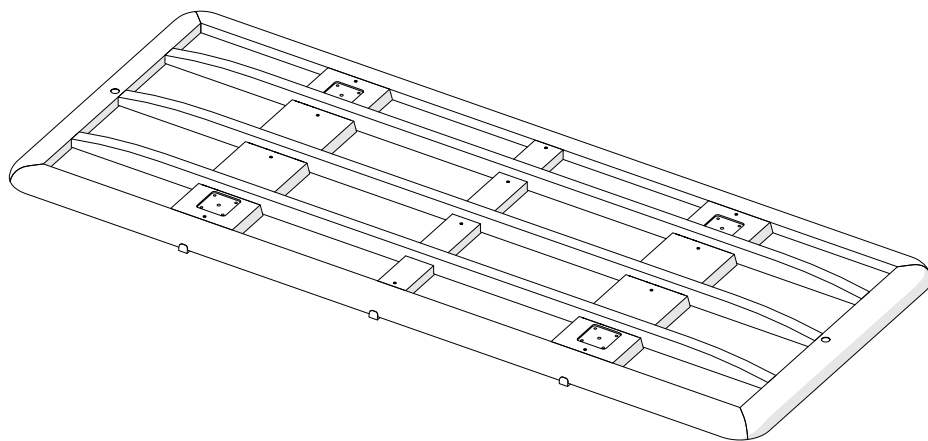
O
1
N
I
C
H
E
T
T
O

ASSEMBLY INSTRUCTIONS CONTINUED
108ML MARLON RECTANGULAR TABLE

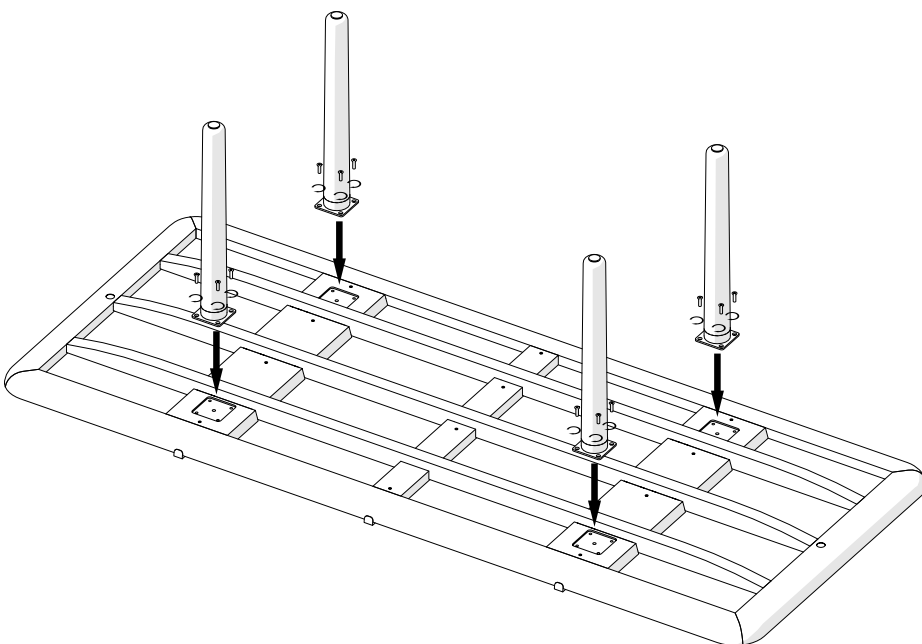
INSTRUCTIONS

1) ATTACH LEGS TO TABLETOP SUBFRAME

a) Place the timber tabletop subframe face down on the floor.



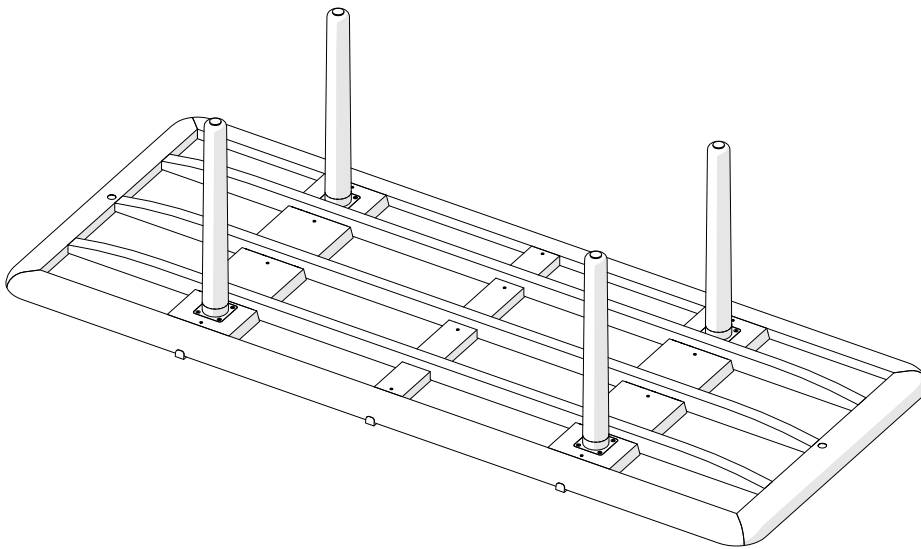
b) One at a time, turn each leg upside down, position it into the relevant rebate in the underside of the tabletop subframe, and secure with 4x M6x30 Countersunk screws tightened with an Allen key.



0
2
N
I
C
H
E
T
H
I
C

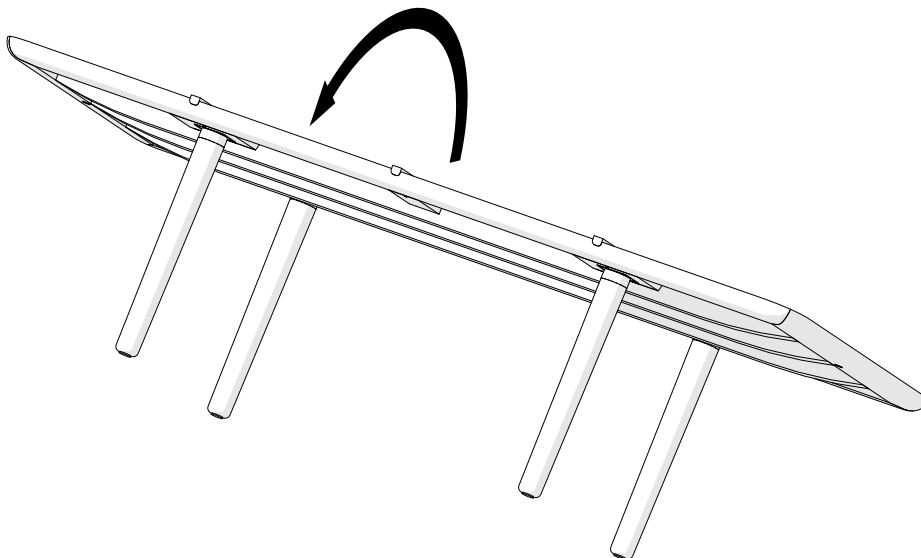
ASSEMBLY INSTRUCTIONS CONTINUED
108ML MARLON RECTANGULAR TABLE

c) The assembly should now look like this



2) TURN TABLE INTO NATURAL POSITION

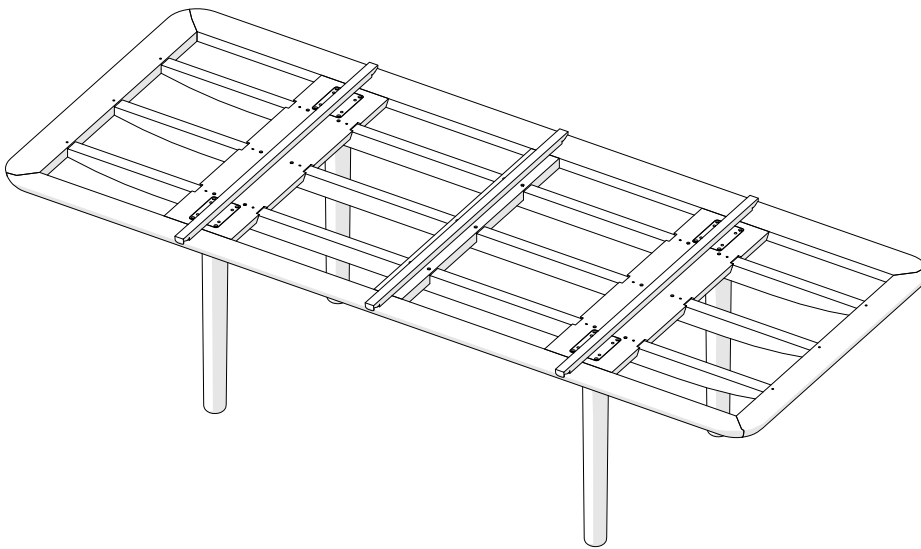
a) With the help of a partner, flip the table so that it is resting on its legs. Please ensure that the table is not rested on two legs as it is flipped over as this may cause damage to the table.



0
3
N
I
C
H
E
H
H
O

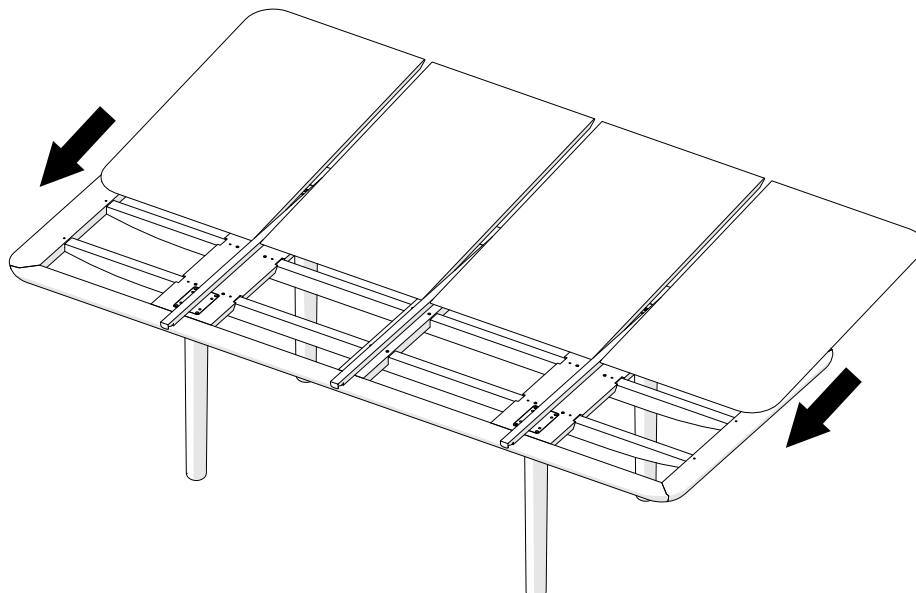
ASSEMBLY INSTRUCTIONS CONTINUED
108ML MARLON RECTANGULAR TABLE

b) The assembly should now look like this:



3) PLACE MARBLE PANELS ONTO TIMBER TABLETOP SUBFRAME

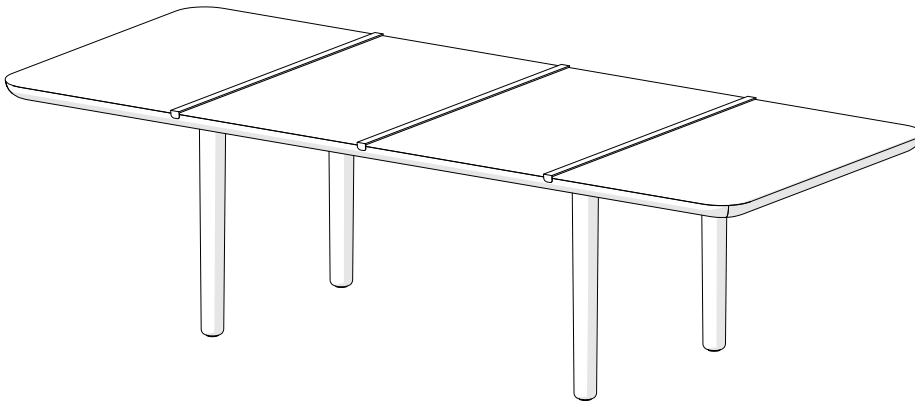
a) One at a time, carefully place the marble panels into position on the timber tabletop subframe. It is extremely important to support the bottom of the marble panel while gently sliding it into place on the table. Use the utmost care when lowering the marble panel onto the timber frame as it can crack or break if dropped.



0
4
N
I
C
H
E
T
H
I
C

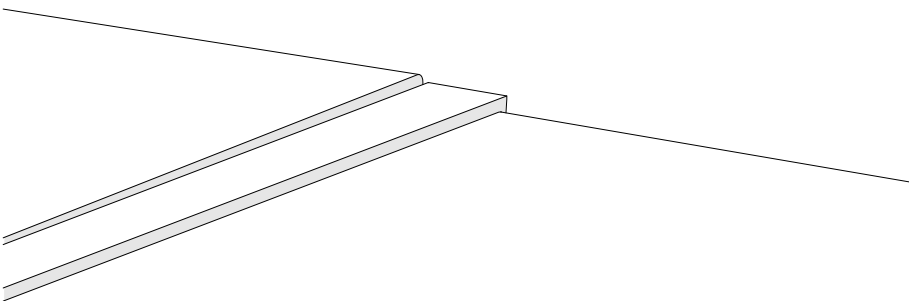
ASSEMBLY INSTRUCTIONS CONTINUED
108ML MARLON RECTANGULAR TABLE

b) The assembly should now look like this:

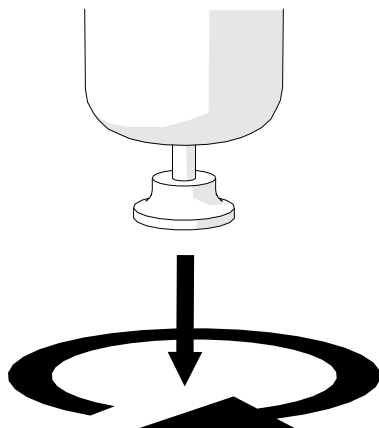


4) LEVEL THE TABLE IF NECESSARY

a) If the table is not levelled, then the marble panels may not sit completely level with the edges of the timber frame, as below:



To level the table, gently lift the lower corner of the table while your partner adjusts the levellers in the feet.

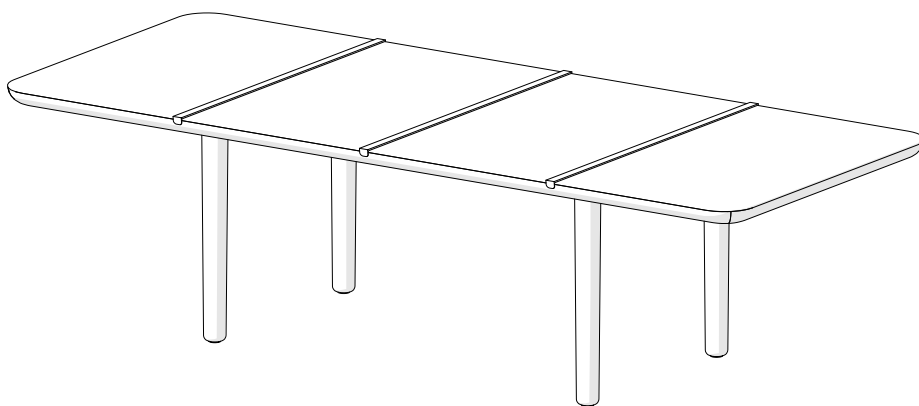


0
5
N
I
C
H
E
F
H
I
O

ASSEMBLY INSTRUCTIONS CONTINUED
108ML MARLON RECTANGULAR TABLE

5) ASSEMBLY IS COMPLETE

Once the table has been levelled, the assembly is complete and the product is ready for use.



0
6
N
I
C
H
E
F
H
I
O