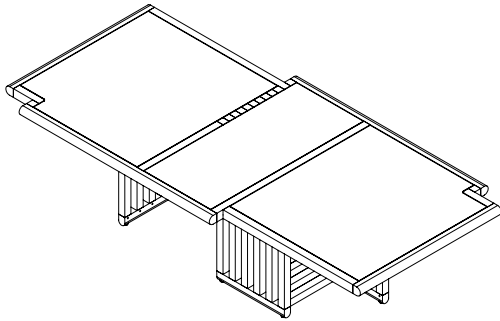


**ASSEMBLY INSTRUCTIONS**

MAZE TABLE BY AUTOBAN



PARTS

- 1x Tabletop
- 3x Glass panes
- 2x Leg frames

HARDWARE

(18x) Universal connector  
with metal dowel

(18x) Square wood caps



YOU WILL NEED

- 5mm heavy duty Allen Key
- The help of a friend

NOTES

NOTE 1: Be certain that all assembly is carried out on a flat and stable surface. This will ensure a good final result. Reverse the steps to disassemble the piece.

NOTE 2: Your furniture arrives packed in numerous layers that protect it during transport. It is important that you remove the packaging carefully to avoid damaging your furniture. Refer to our information sheet "Unpacking Your Furniture" for further details.

NOTE 3: Great care is required when assembling our products . Use blankets to soften the assembly surface - hard surfaces such as wood or stone flooring may damage the furniture if in direct contact.

NOTE 4: We advise that assembly and disassembly of De La Espada furniture is undertaken by a minimum of 2 people.

NOTE 5: When screwing in bolts, tighten well, but be sure NOT TO OVERTIGHTEN. This can cause the thread to strip thus resulting in a poor connection.

NOTE 6: All mating parts are numbered. You will ensure the best possible fit if all parts are mated with the corresponding numbered parts. While you work, be sure all connections are flush with no gaps.

O  
1  
A  
U  
T  
O  
B  
A  
N

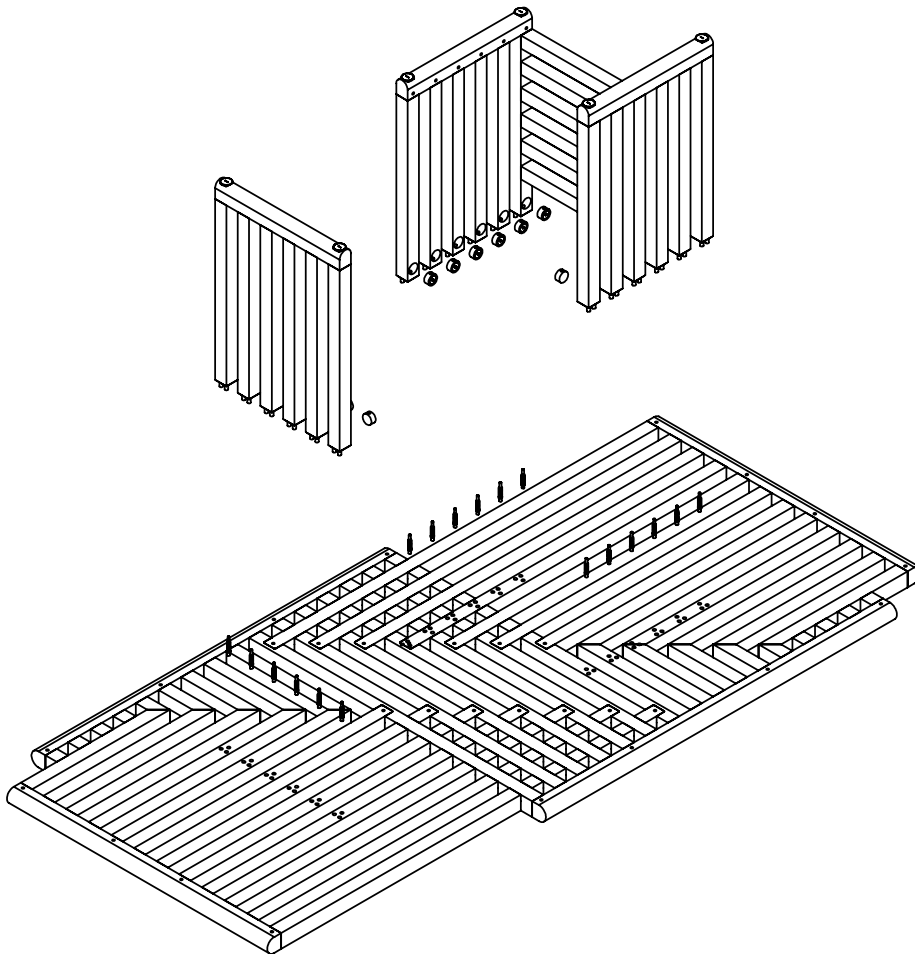
**ASSEMBLY INSTRUCTIONS CONTINUED**

MAZE TABLE

INSTRUCTIONS

1) ATTACH LEGS TO TABLETOP

- a) Place the tabletop face down on the floor.
- b) Screw a metal dowel into each of the 18 pre-drilled holes on the underside of the tabletop.
- c) Insert a Universal Connector (large round metal hardware) into the pre-drilled holes in the leg frames. One at a time, turn each leg frame upside down, and connect it to the underside of the tabletop by guiding the metal dowels into the Universal Connectors. Tighten with an Allen Key.

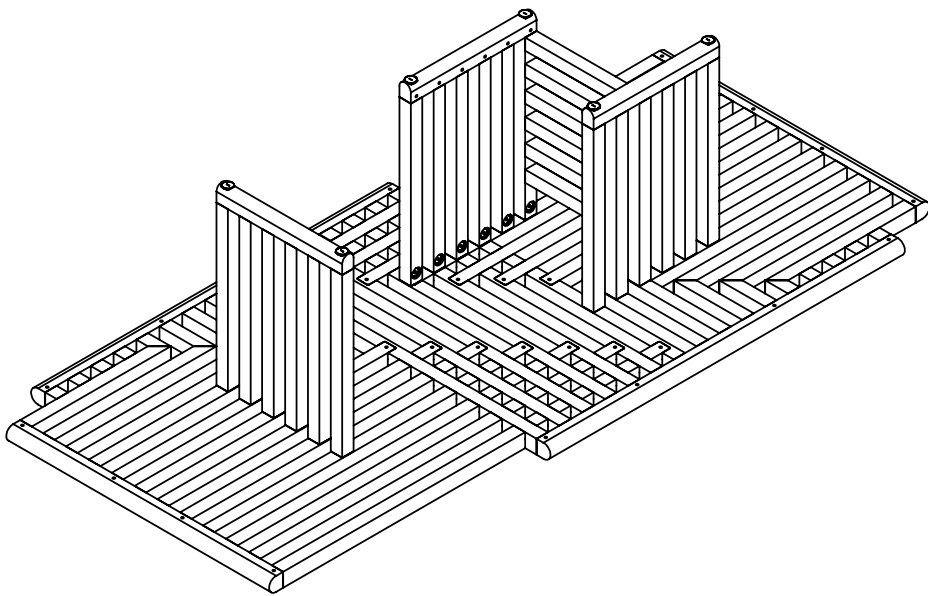


0  
2  
A  
U  
T  
O  
B  
A  
N

**ASSEMBLY INSTRUCTIONS CONTINUED**

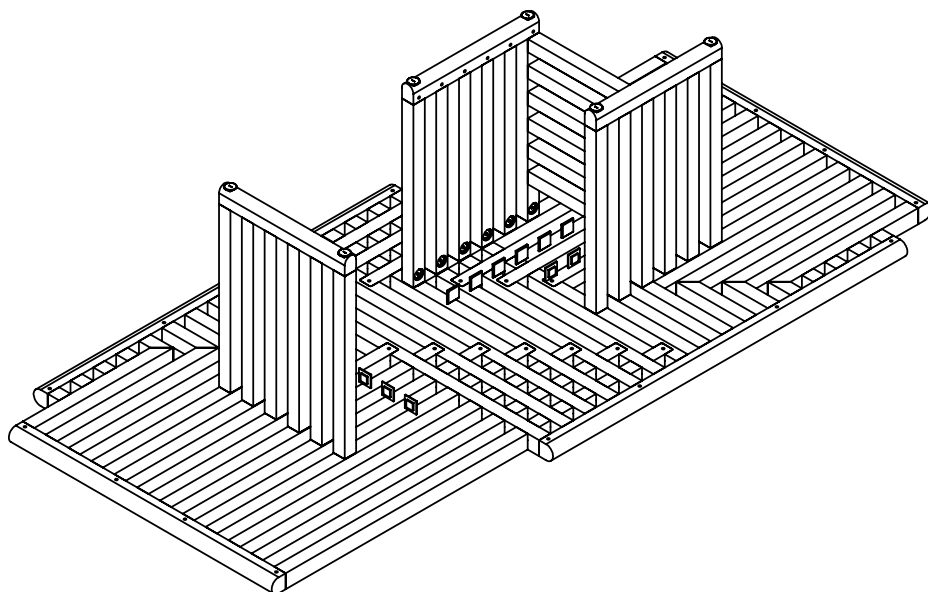
MAZE TABLE

d) The assembly should now look like this



2) COVER HARDWARE WITH WOOD CAPS

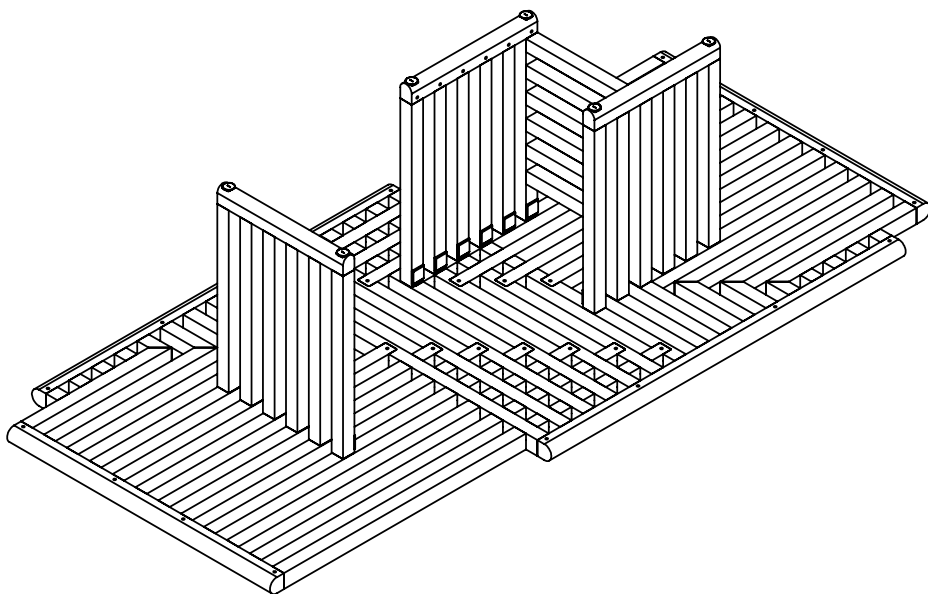
a) Place a square wood cap over each Universal Connector to conceal the hardware.



0  
3  
A  
U  
T  
O  
B  
A  
N

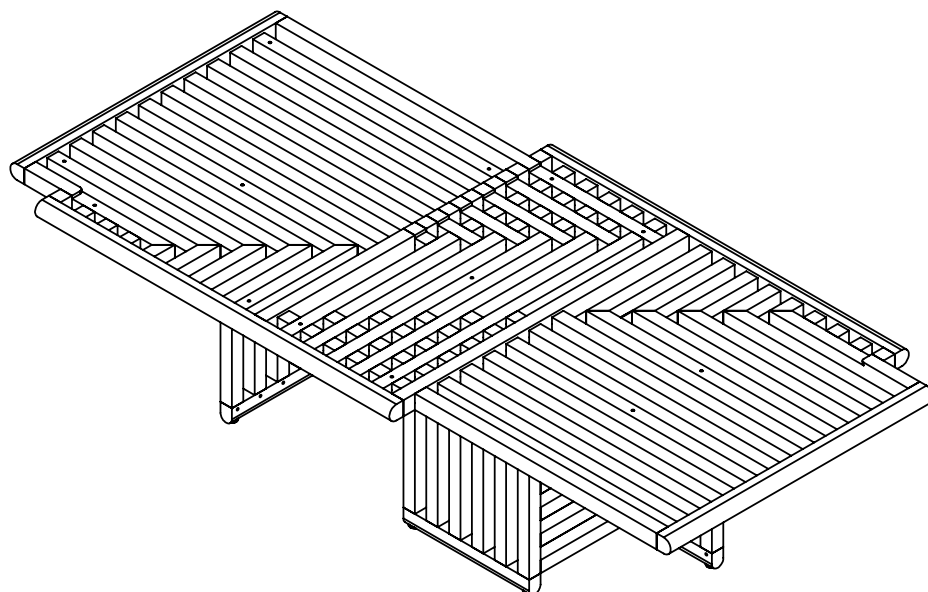
**ASSEMBLY INSTRUCTIONS CONTINUED**  
**MAZE TABLE**

b) The assembly should now look like this



3) TURN TABLE INTO NATURAL POSITION

a) With the help of a partner, flip the table so that it is resting on its legs. Please ensure that the table is not rested on two legs as it is flipped over as this may cause damage to the table.



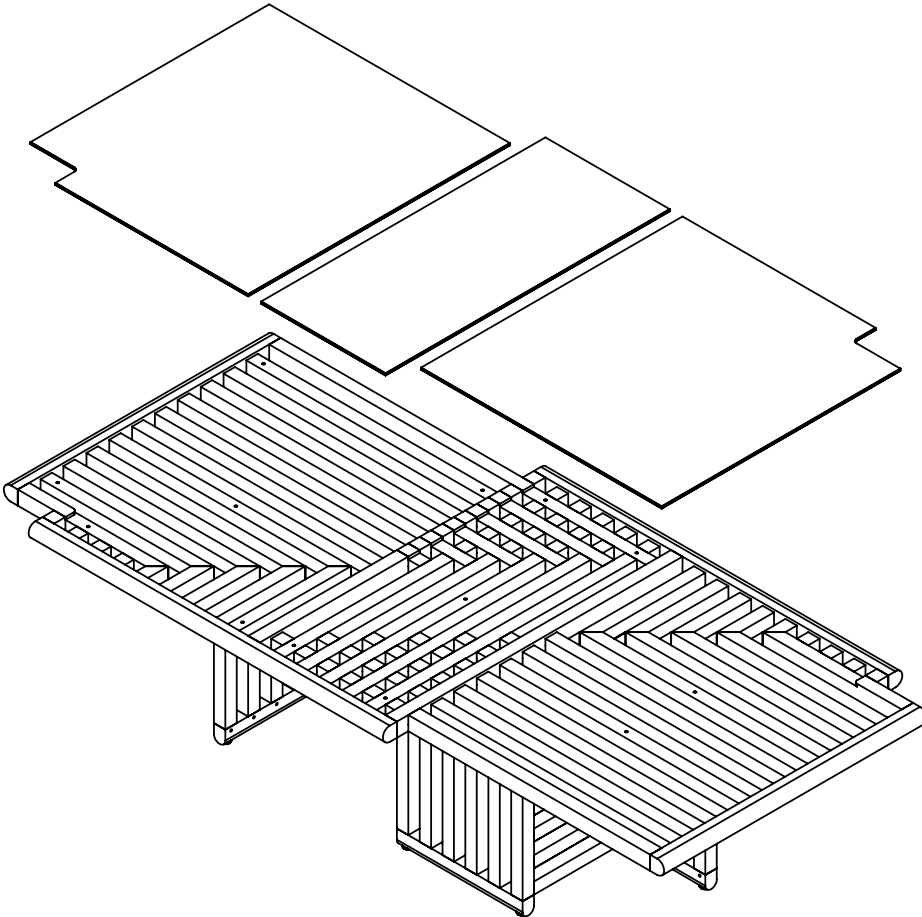
0  
4  
A  
U  
T  
O  
B  
A  
N

**ASSEMBLY INSTRUCTIONS CONTINUED**

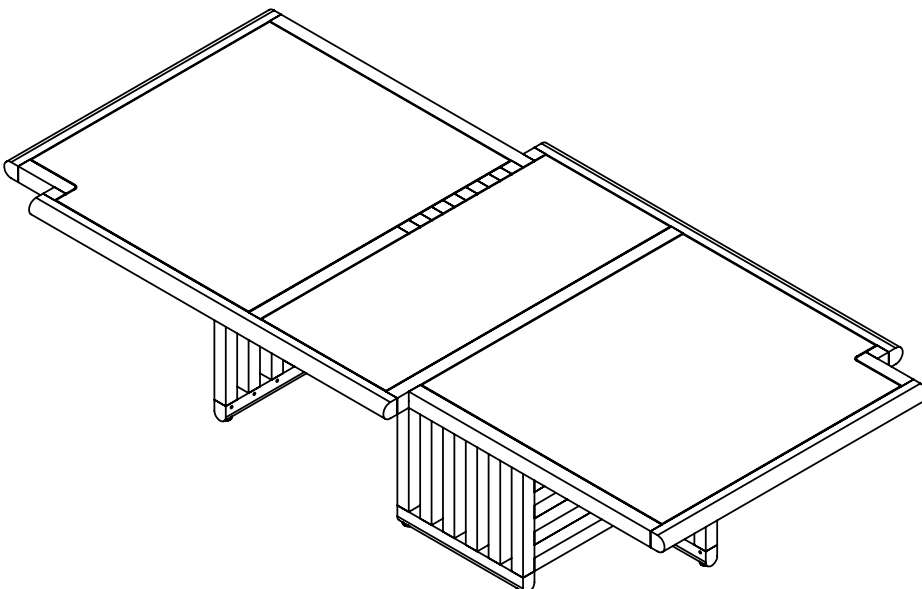
MAZE TABLE

4) PLACE GLASS PANES ON TABLETOP

a) With the help of a friend, carefully place each glass pane onto the tabletop.



b) Assembly is now complete and the table is ready for use.



0  
5  
A  
U  
T  
O  
B  
A  
N