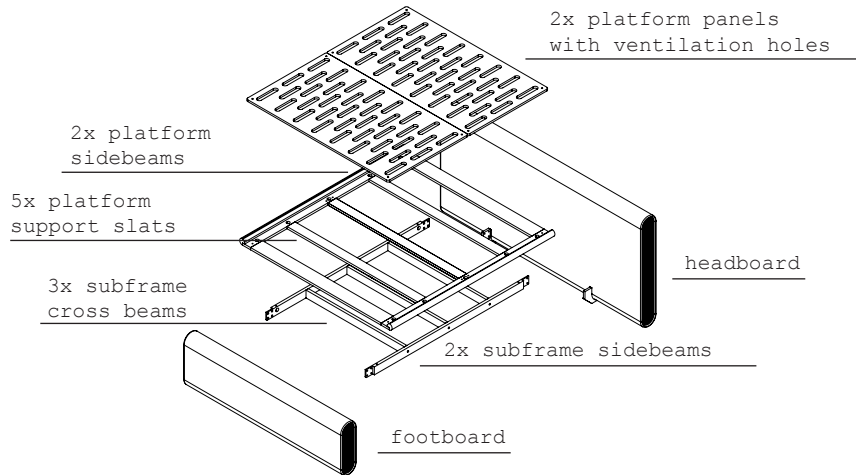


ASSEMBLY INSTRUCTIONS

UNION BED BY AUTOBAN

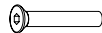
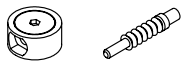
PARTS



O
1
A
U
T
O
B
A
N

HARDWARE

(14x) Universal connector with metal dowel (6x) M8x45 countersunk screws



(16x) M8x20 countersunk screws (8x) M6x25 countersunk screws



(4x) M8x30 countersunk screws



YOU WILL NEED

5mm Allen Key
6mm Allen Key
The help of a partner

NOTES

NOTE 1: Be certain that all assembly is carried out on a flat and stable surface. This will ensure a good final result. Reverse the steps to disassemble the piece.

NOTE 2: Your furniture arrives packed in numerous layers that protect it during transport. It is important that you remove the packaging carefully to avoid damaging your furniture. Refer to our information sheet "Unpacking Your Furniture" for further details.

NOTE 3: Great care is required when assembling our products. Use blankets to soften the assembly surface - hard surfaces such as wood or stone flooring may damage the furniture if in direct contact.

NOTE 4: We advise that assembly and disassembly of De La Espada furniture is undertaken by a minimum of 2 people.

ASSEMBLY INSTRUCTIONS CONTINUED

UNION BED

NOTE 5: When screwing in bolts, tighten well, but be sure NOT TO OVERTIGHTEN. This can cause the thread to strip thus resulting in A poor connection.

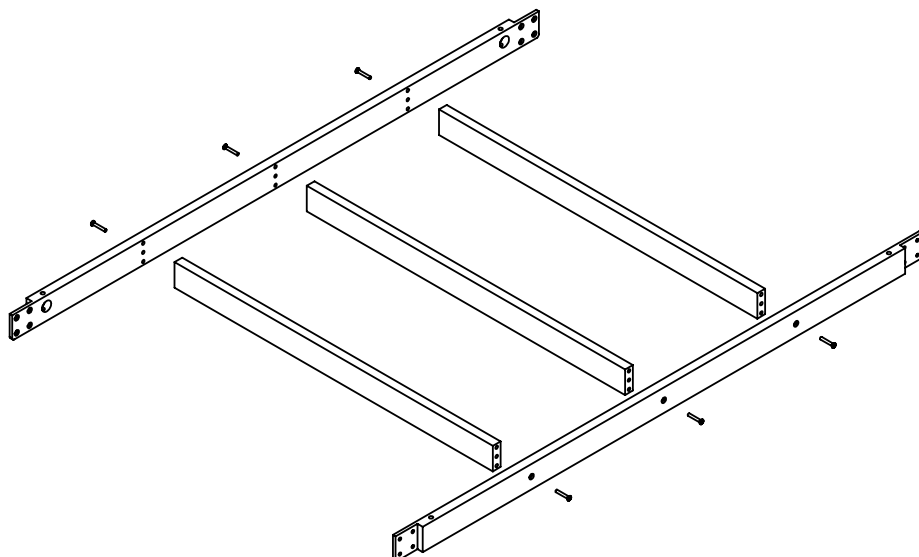
NOTE 6: All mating parts are numbered so they correspond to the appropriate part around the frame of the bed. you will ensure the best possible fit if all parts are mated with the corresponding numbered parts. While you work, be sure all connections are flush with no gaps.

INSTRUCTIONS

1.ASSEMBLE THE SUBFRAME

a) Identify the subframe sidebeams and subframe cross beams and lay them out in the correct orientation, checking for number markings. There are three holes in the subframe sidebeams at each point where the subframe cross beam meets it. The top and bottom hole are for receiving the dowels, and the central hole is for receiving the screw.

b) Attach the parts by guiding the dowels in the cross beams into the corresponding pre-drilled holes in the sidebeams. Insert three M8x45 countersunk screws through each sidebeam and into the cross beams. Tighten with an Allen Key.



0
2
A
U
T
O
B
A
N

ASSEMBLY INSTRUCTIONS CONTINUED

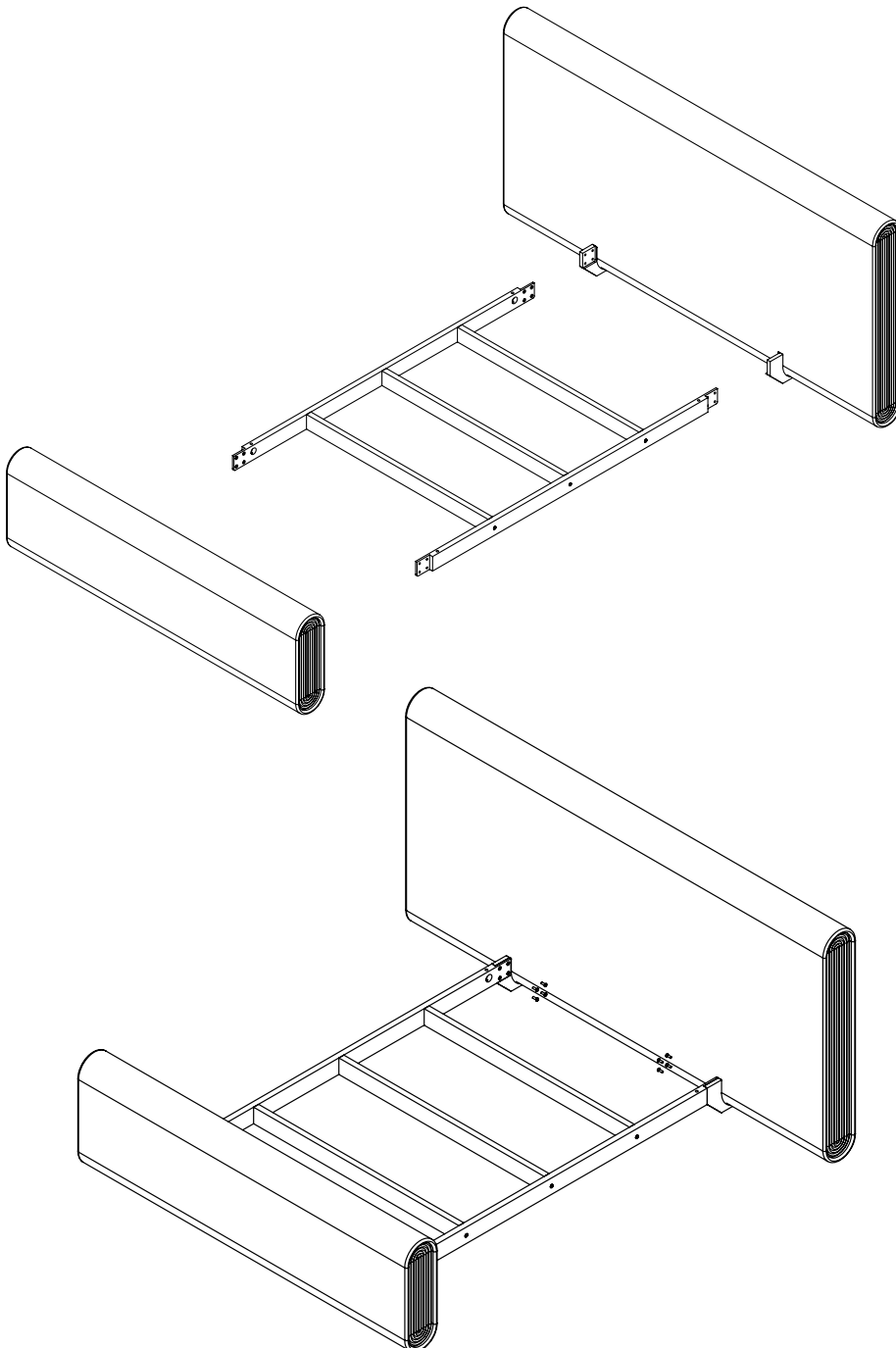
UNION BED

2. ATTACH THE HEADBOARD AND FOOTBOARD TO THE SUBFRAME

a) With the help of a friend, hold the headboard in its natural upright position while you guide it toward the subframe, aligning the holes on the connection hardware with the corresponding pre-drilled holes on the subframe.

b) Insert four M8x20 countersunk screws into each of the two connection points and tighten with an Allen Key.

c) Repeat the above process to connect the footboard to the subframe.



0
3
A
U
T
O
B
A
N

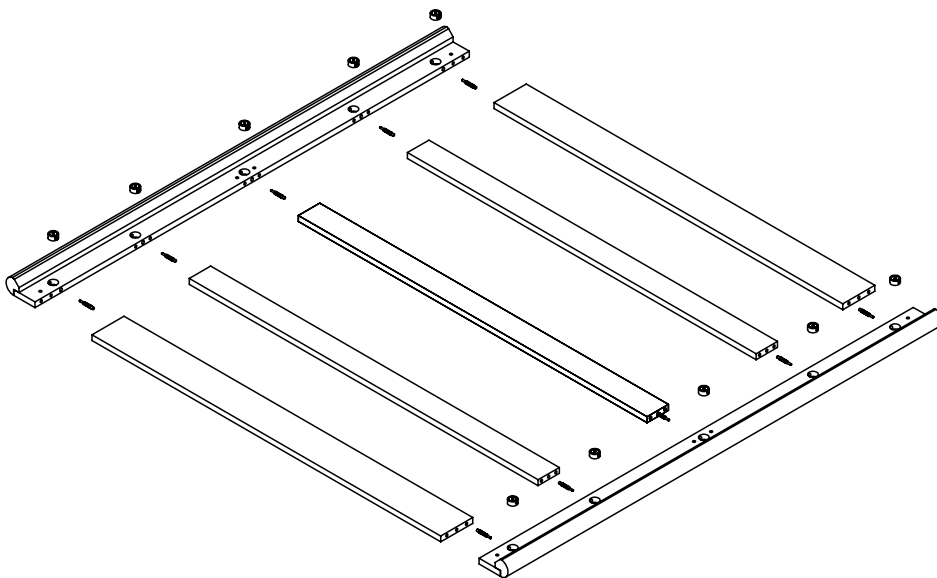
ASSEMBLY INSTRUCTIONS CONTINUED

UNION BED

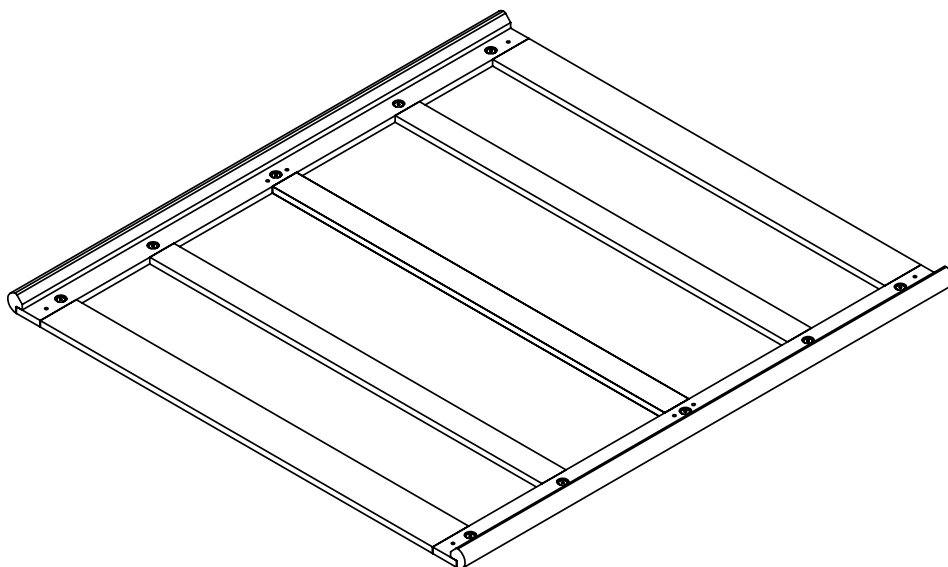
3. ASSEMBLE THE PLATFORM BASE

a) Locate the platform sidebeams and five support slats and lay them out in the correct orientation, checking for number markings.

b) Insert a Universal Connector (large round metal hardware) into the pre-drilled holes in the top of each platform sidebeam. Screw a metal dowel into each of the corresponding holes in each end of the platform support slats.



c) Connect the parts by guiding the metal dowels into the Universal Connectors, then tightening with an Allen Key.



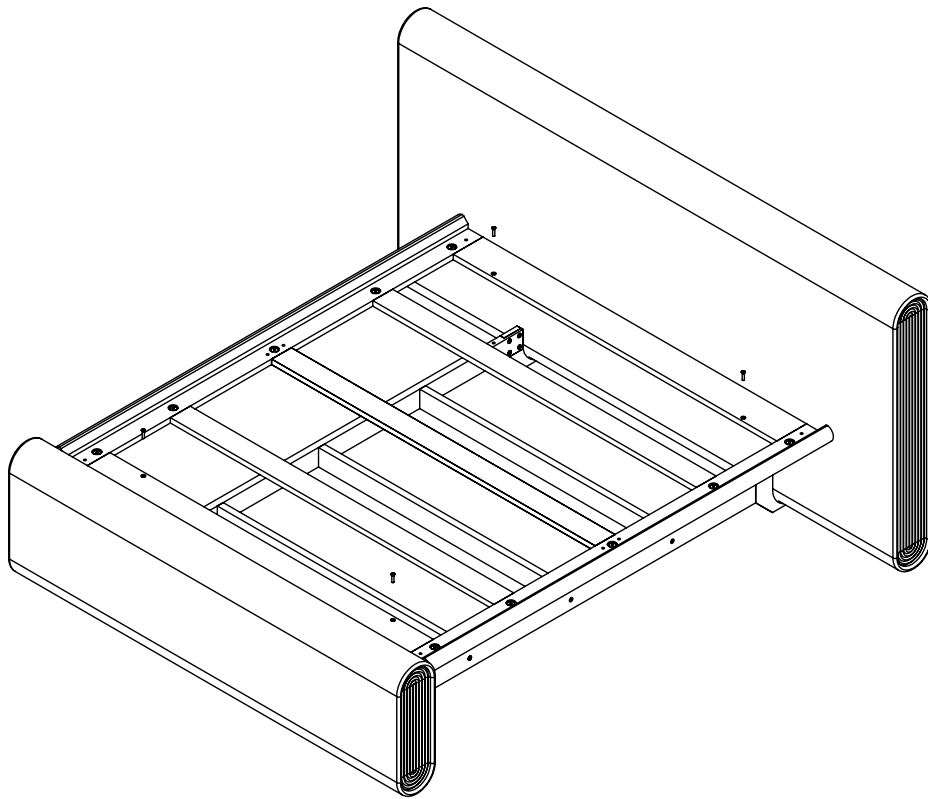
0
4
A
U
T
O
B
A
N

ASSEMBLY INSTRUCTIONS CONTINUED

UNION BED

4. ATTACH THE ASSEMBLED PLATFORM BASE TO BED ASSEMBLY

a) With the help of a friend, carefully lower the platform base onto the bed assembly. Align the pre-drilled holes, then insert one M8x30 screw into each of the four corners. Tighten with an Allen key.

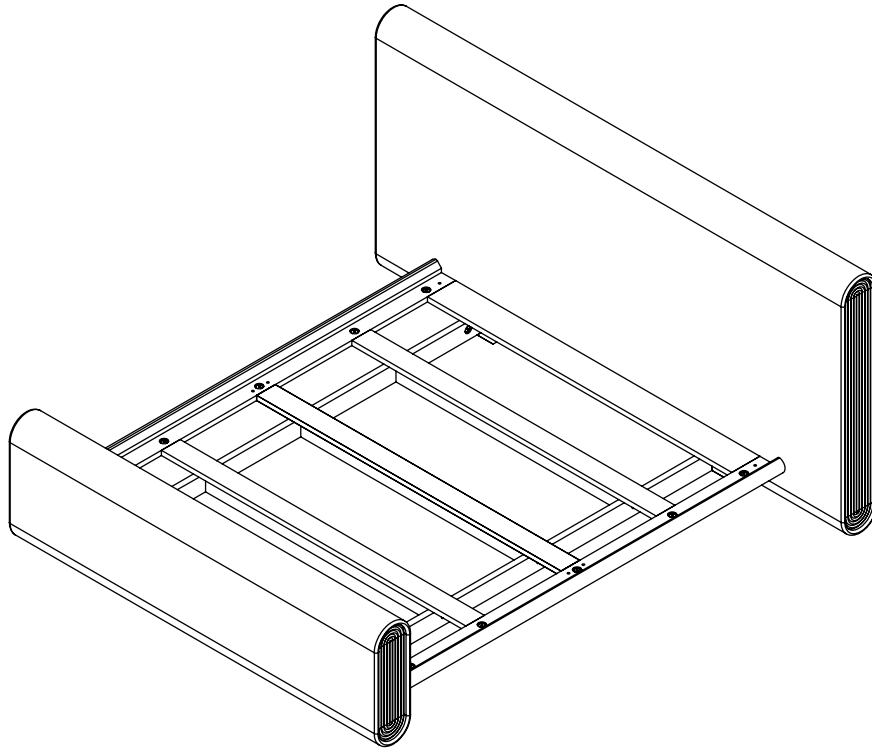


0
5
A
U
T
O
B
A
N

ASSEMBLY INSTRUCTIONS CONTINUED

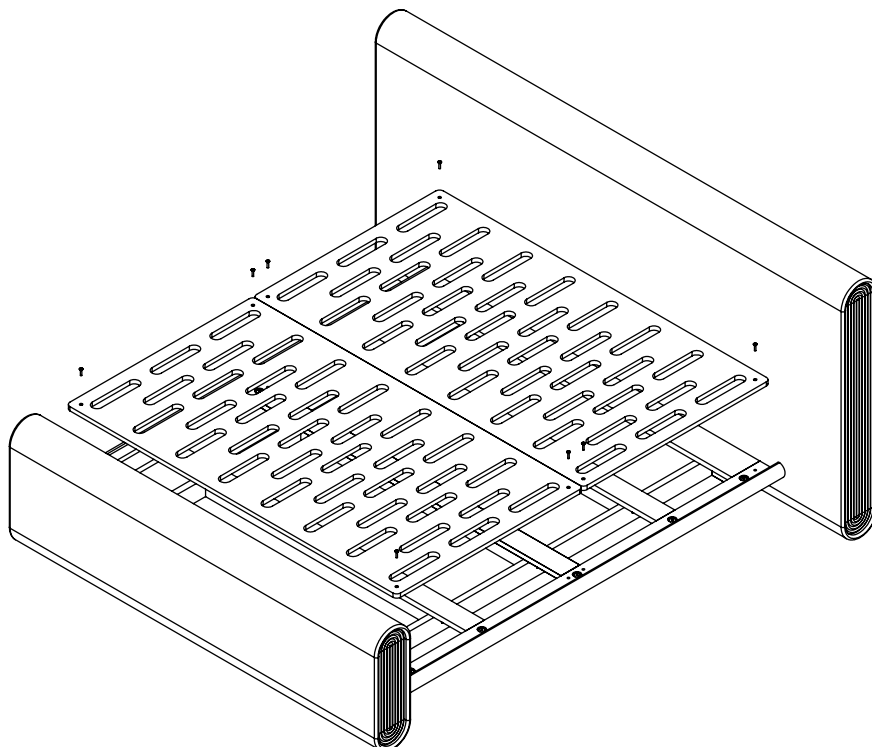
UNION BED

c) The assembly should now look like this.



5. ATTACH PLATFORM PANELS

a) Place the platform panels onto the platform base of the bed, insert an M6x25 countersunk screw through each of the eight pre-drilled holes in the panels, and into the platform base, then tighten with an Allen key.

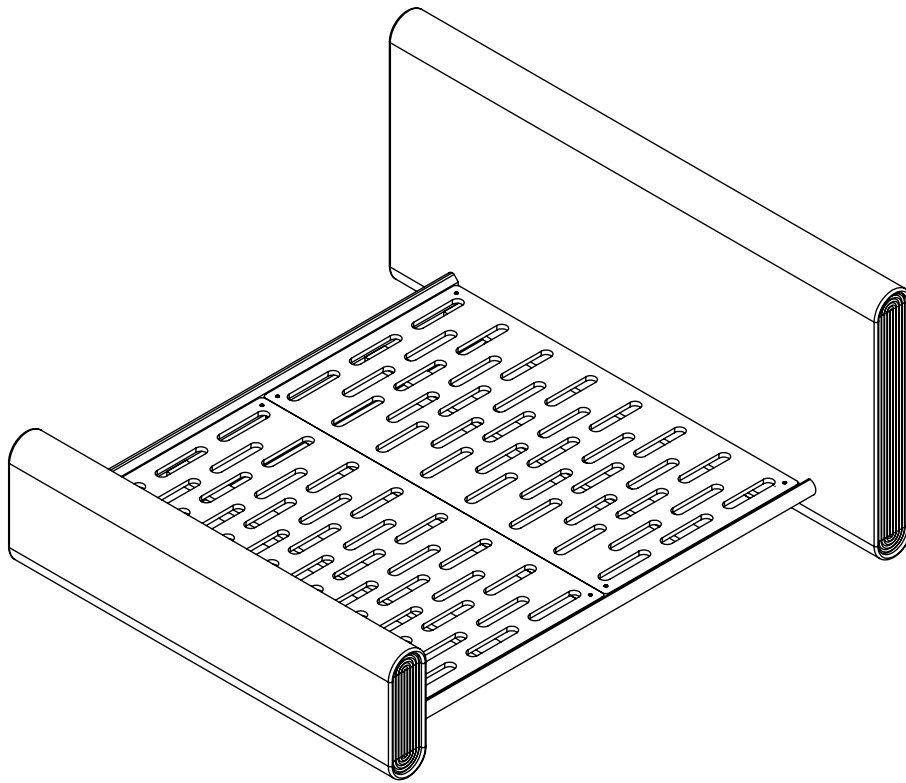


0
6
A
U
T
O
B
A
N

ASSEMBLY INSTRUCTIONS CONTINUED

UNION BED

c) Assembly is now complete, and the bed is ready to receive a mattress.



0
7
A
U
T
O
B
A
N