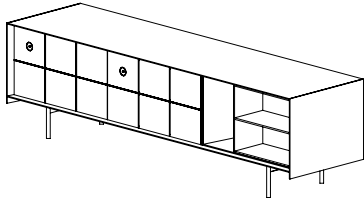


ASSEMBLY INSTRUCTIONS

109S MITCH LOW CABINET BY NICHETTO



PARTS

- 1x Cabinet body
- 1x Leg frame
- 2x Sliding doors
- 1x Loose storage box

HARDWARE

- (10x) M8x20 bolts

YOU WILL NEED

- 6mm heavy duty Allen Key
- The help of a friend

NOTES

NOTE 1: Be certain that all assembly is carried out on a flat and stable surface. This will ensure a good final result. Reverse the steps to disassemble the piece.

NOTE 2: Your furniture arrives packed in numerous layers that protect it during transport. It is important that you remove the packaging carefully to avoid damaging your furniture. Refer to our information sheet "Unpacking Your Furniture" for further details.

NOTE 3: Great care is required when assembling our products as they can mark very easily if banged or dropped. Use blankets to soften the assembly surface - hard surfaces such as wood or stone flooring may damage the furniture if in direct contact.

NOTE 4: We advise that assembly and disassembly of De La Espada furniture is undertaken by a minimum of 2 people.

NOTE 5: When screwing in bolts, tighten well, but be sure NOT TO OVERTIGHTEN. This can cause the thread to strip thus resulting in a poor connection.

NOTE 6: To prevent injury, it is important to complete the assembly of the main body before attaching the sliding doors.

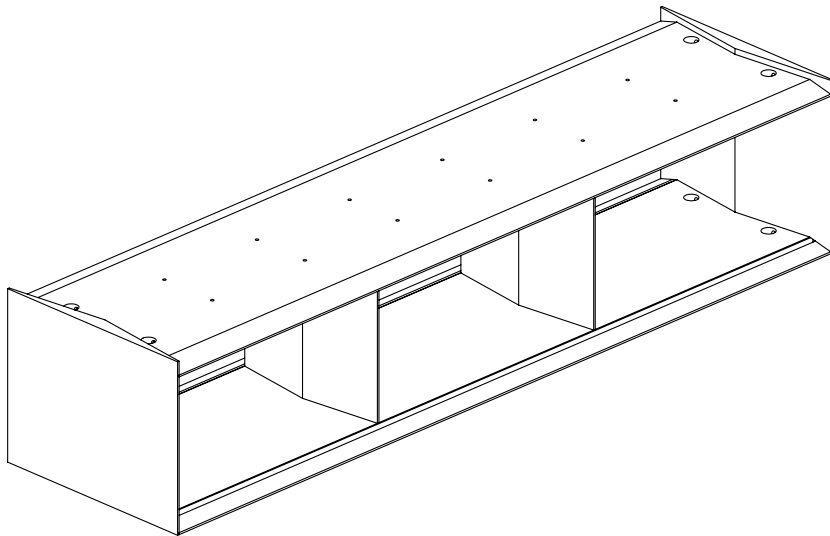
O
1
N
I
C
H
E
T
T
O

ASSEMBLY INSTRUCTIONS CONTINUED

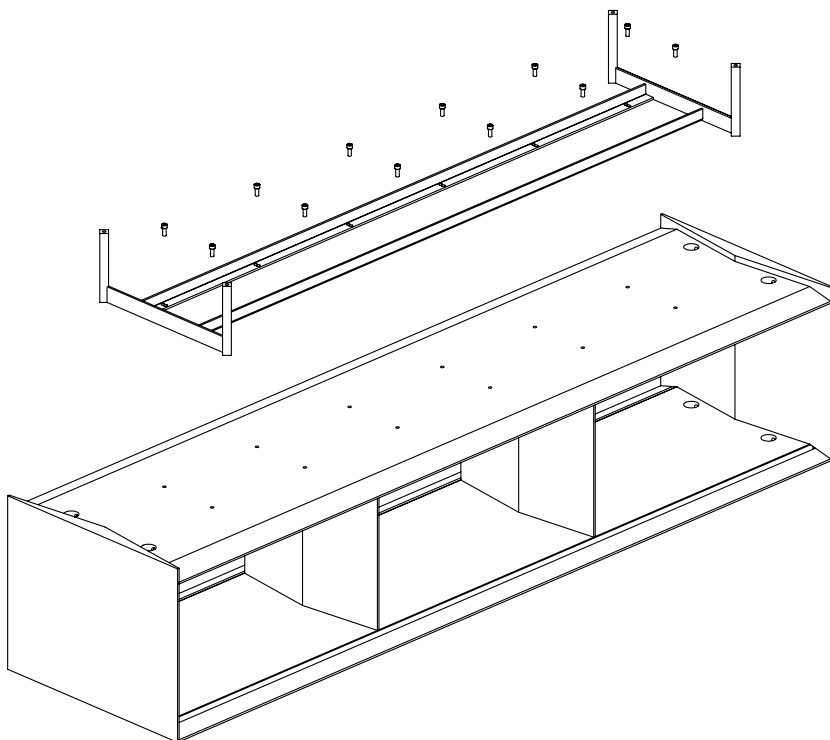
109S MITCH LOW CABINET

INSTRUCTIONS

- 1) ATTACH LEG FRAME TO CABINET BODY
- a) Place cabinet body upside down on the floor.



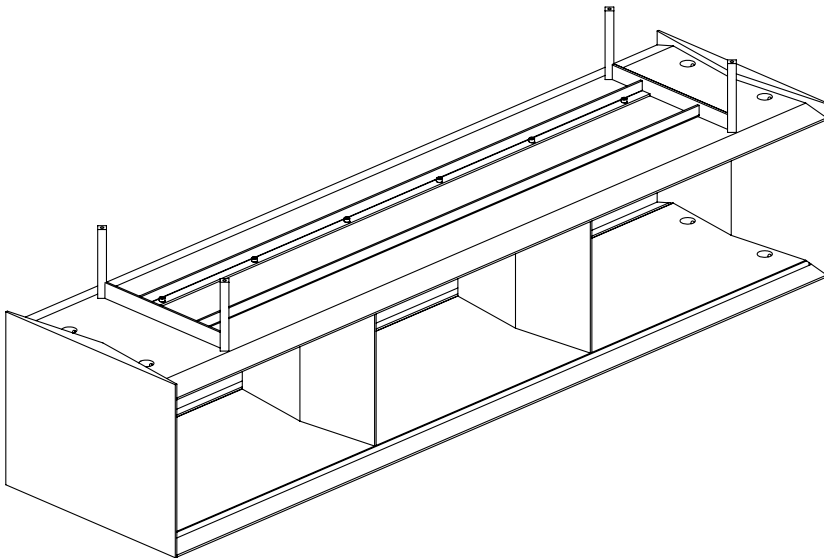
- b) Place the leg frame onto the underside of the cabinet body, aligning the pre-drilled holes. Connect the two parts with the 10x M8x20 bolts, tightened with an Allen key.



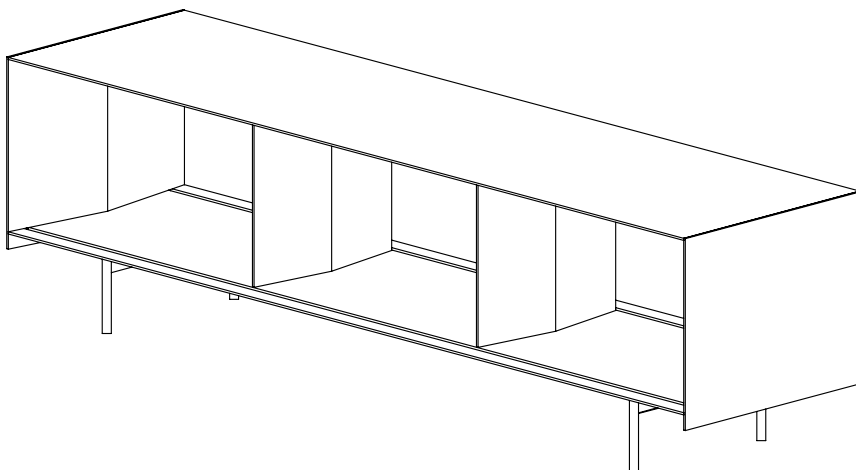
0
2
N
I
C
H
E
T
H
O

ASSEMBLY INSTRUCTIONS CONTINUED
109S MITCH LOW CABINET

c) The assembly should now look like this.



2) TURN THE CABINET BODY INTO AN UPRIGHT POSITION
a) With the help of a friend, carefully turn the cabinet body over into an upright position, taking care not to place any weight/force on the legs while turning.



0
3
N
I
C
H
E
H
H
O

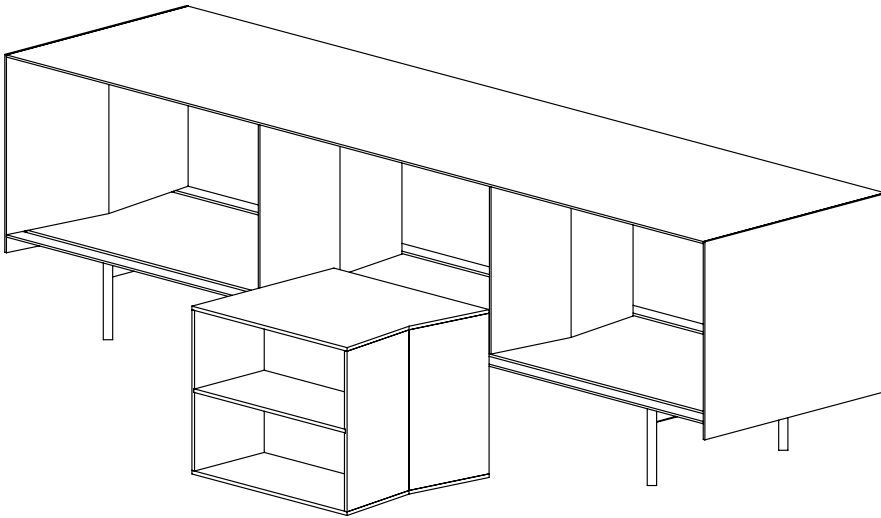
ASSEMBLY INSTRUCTIONS CONTINUED

109S MITCH LOW CABINET

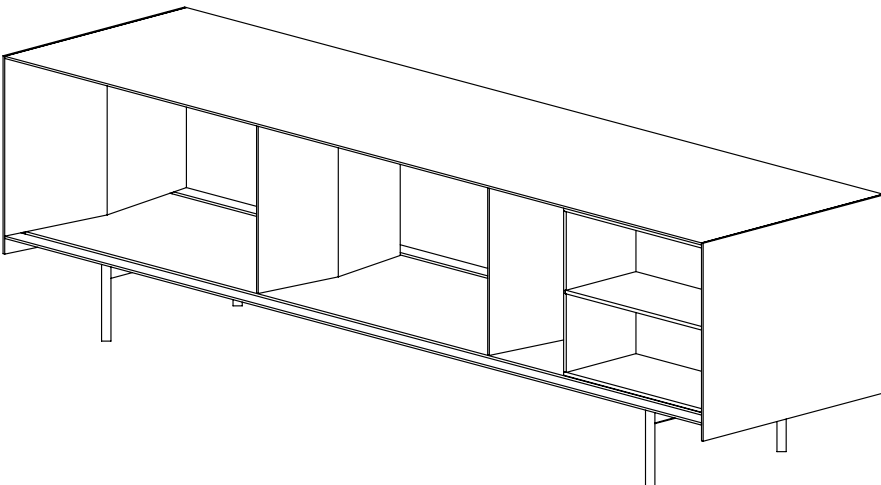
3) INSERT THE LOOSE STORAGE BOX

- a) Insert the loose storage box into the cabinet body.

0
4
N
I
C
H
E
F
F
I
C



- b) The assembly should now look like this.

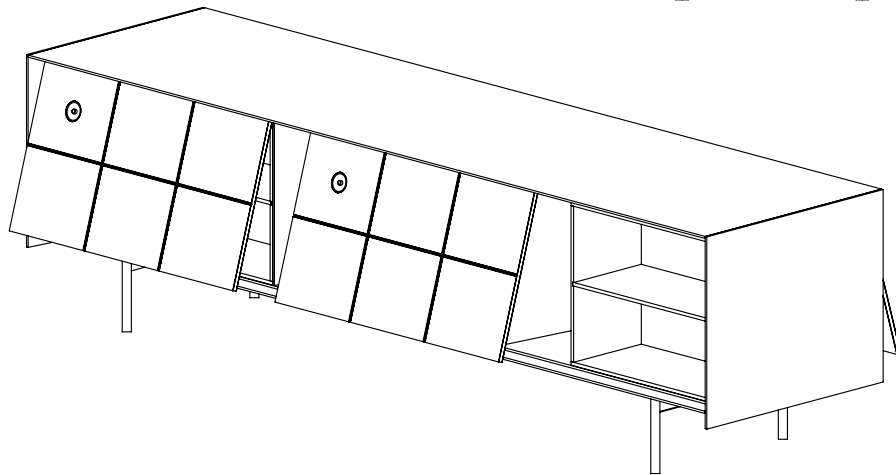
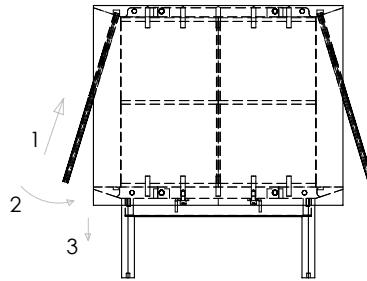


ASSEMBLY INSTRUCTIONS CONTINUED
109S MITCH LOW CABINET

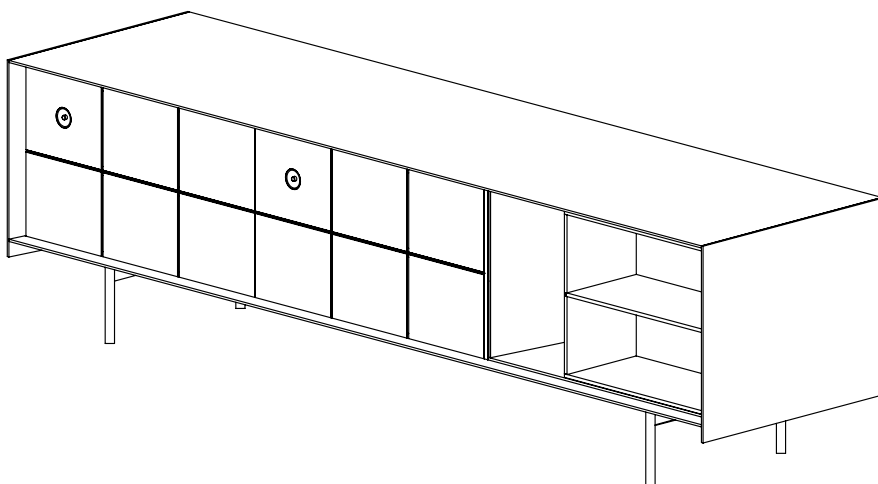
4) ATTACH THE SLIDING DOORS

a) Attach one sliding door at a time using the following procedure. First, holding the door at an angle, place the top lip of the door into the rebate in the top panel of the cabinet. While pushing the door upward into the rebate, swing the bottom of the door so it is in line with the bottom rebate then pull down so it slots into the bottom rebate. The door should now slide freely.

NOTE: You can attach the doors to either side of the cabinet body as preferred.



b) The assembly is now complete and the cabinet is ready for use.



0
5
N
I
C
H
E
H
I
O