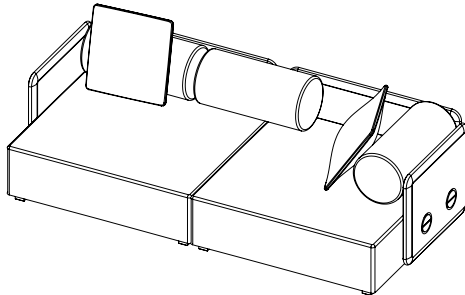


ASSEMBLY INSTRUCTIONS

DECO SOFA BY AUTOBAN



PARTS

2x seat modules
3x bolster cushions
2x scatter cushions

HARDWARE

(3x) M8x130 socket head screws
(3x) M8 nuts

YOU WILL NEED

Adjustable spanner (wrench)
6mm Allen key
The help of a friend

NOTES

NOTE 1: Be certain that all assembly is carried out on a flat and stable surface. This will ensure a good final result. Reverse the steps to disassemble the piece.

NOTE 2: Your furniture arrives packed in numerous layers that protect it during transport. It is important that you remove the packaging carefully to avoid damaging your furniture. Refer to our information sheet "Unpacking Your Furniture" for further details.

NOTE 3: Great care is required when assembling our products as they can mark very easily if banged or dropped. Use blankets to soften the assembly surface - hard surfaces such as wood or stone flooring may damage the furniture if in direct contact.

NOTE 4: We advise that assembly and disassembly of De La Espada furniture is undertaken by a minimum of 2 people.

NOTE 5: When screwing in bolts, tighten well, but be sure NOT TO OVERTIGHTEN. This can cause the thread to strip thus resulting in a poor connection.

O
1
A
U
T
O
B
A
N

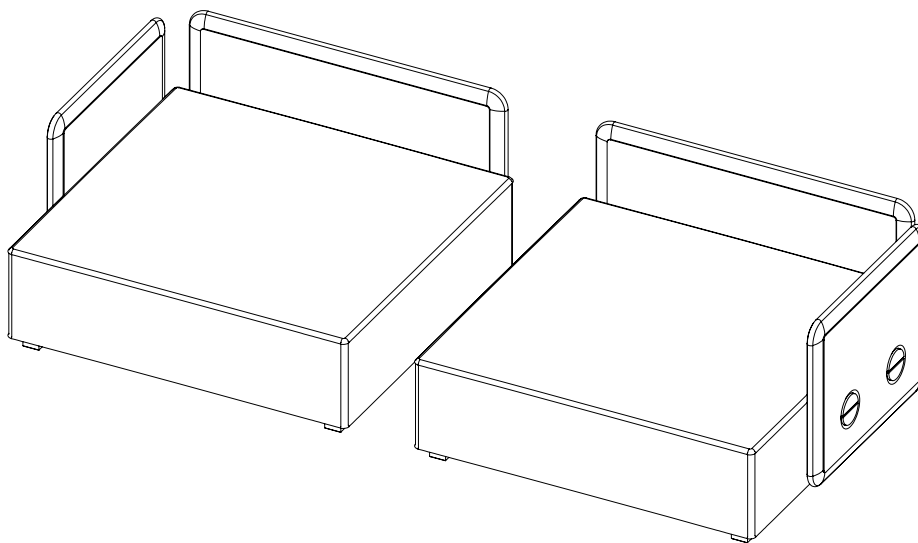
ASSEMBLY INSTRUCTIONS CONTINUED

DECO SOFA BY AUTOBAN

INSTRUCTIONS

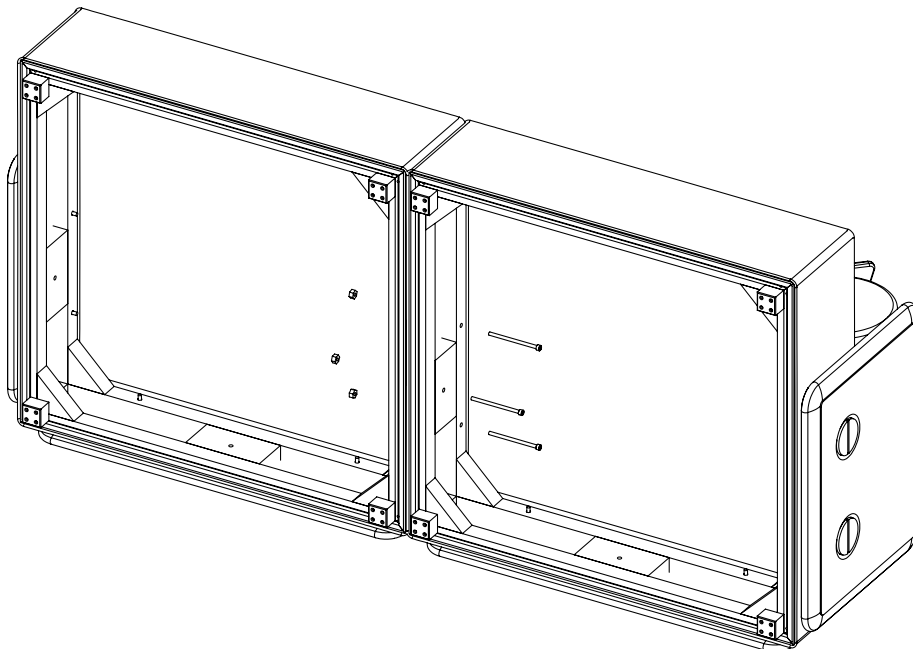
1) CONNECT THE TWO SEAT MODULES

a) Unpack the seat modules and set them out so they are in the correct orientation.



b) Place the seat modules on their backs on the floor, and push them together. Unzip the lining, then align the pre-drilled holes.

c) Insert the 3x M8x130 socket head screws through the pre-drilled holes and secure the nuts on the end with a spanner (wrench). Use the 6mm Allen Key to tighten the screws. Once complete, zip up the lining.



0
2
A
U
T
O
B
A
N

ASSEMBLY INSTRUCTIONS CONTINUED

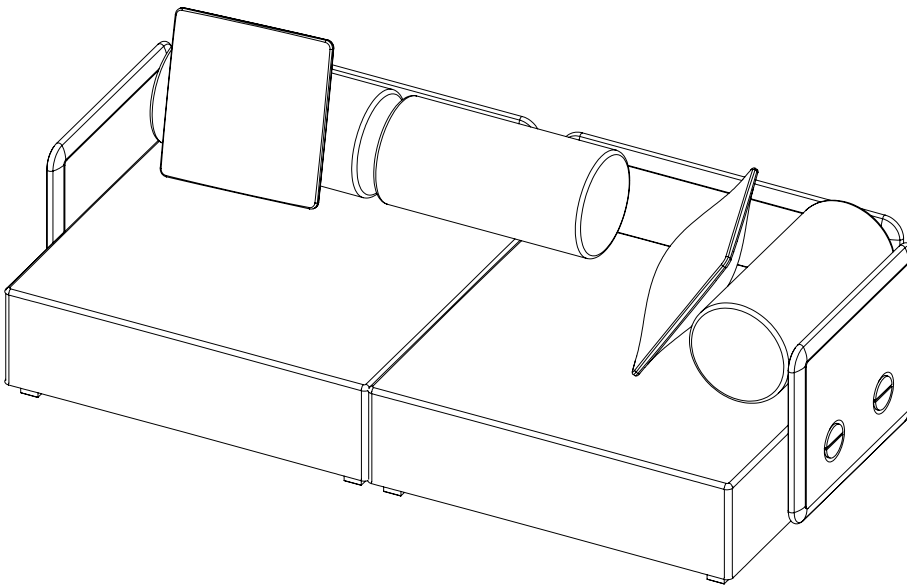
DECO SOFA BY AUTOBAN

2) TURN THE SOFA INTO UPRIGHT POSITION

a) With the help of a friend, carefully turn the sofa so it is resting in its natural upright position.

b) Place the bolster and scatter cushions onto the sofa body.

c) Assembly is now complete and the sofa is ready for use.



0
3
A
U
T
O
B
A
N