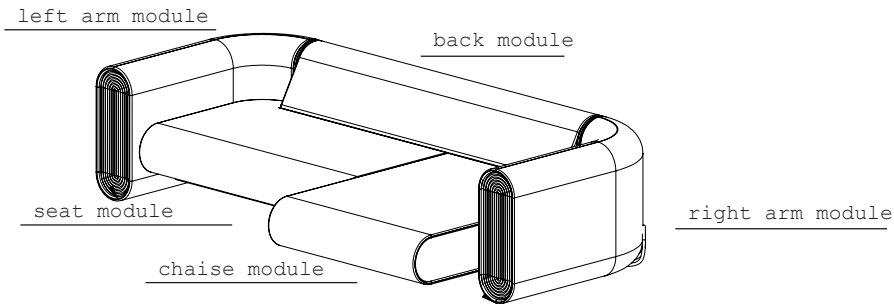


**ASSEMBLY INSTRUCTIONS**

280CL/CR UNION CORNER UNIT SOFA BY AUTOBAN



PARTS

- 2x arm modules
- 1x back module
- 1x seat module
- 1x chaise module
- 1x support beam

HARDWARE

- (14x) M8x60 countersunk screws
- (20x) M8x60 Allen Key screws
- (6x) M8x130 Allen Key screws
- (5x) M8 threaded rods
- (10x) nuts
- (30x) washers

YOU WILL NEED

- 8mm socket/ratchet set OR spanner (wrench)
- 8mm heavy duty Allen Key
- The help of 2 or 3 friends

NOTES

NOTE 1: Be certain that all assembly is carried out on a flat and stable surface. This will ensure a good final result. Reverse the steps to disassemble the piece.

NOTE 2: Your furniture arrives packed in numerous layers that protect it during transport. It is important that you remove the packaging carefully to avoid damaging your furniture. Refer to our information sheet "Unpacking Your Furniture" for further details.

NOTE 3: Great care is required when assembling our products as they can mark very easily if banged or dropped. Use blankets to soften the assembly surface - hard surfaces such as wood or stone flooring may damage the furniture if in direct contact.

NOTE 4: We advise that assembly and disassembly of De La Espada furniture is undertaken by a minimum of 2 people.

NOTE 5: When screwing in bolts, tighten well, but be sure NOT TO OVERTIGHTEN. This can cause the thread to strip thus resulting in a poor connection.

O  
1  
A  
U  
T  
O  
B  
A  
N

**ASSEMBLY INSTRUCTIONS CONTINUED**

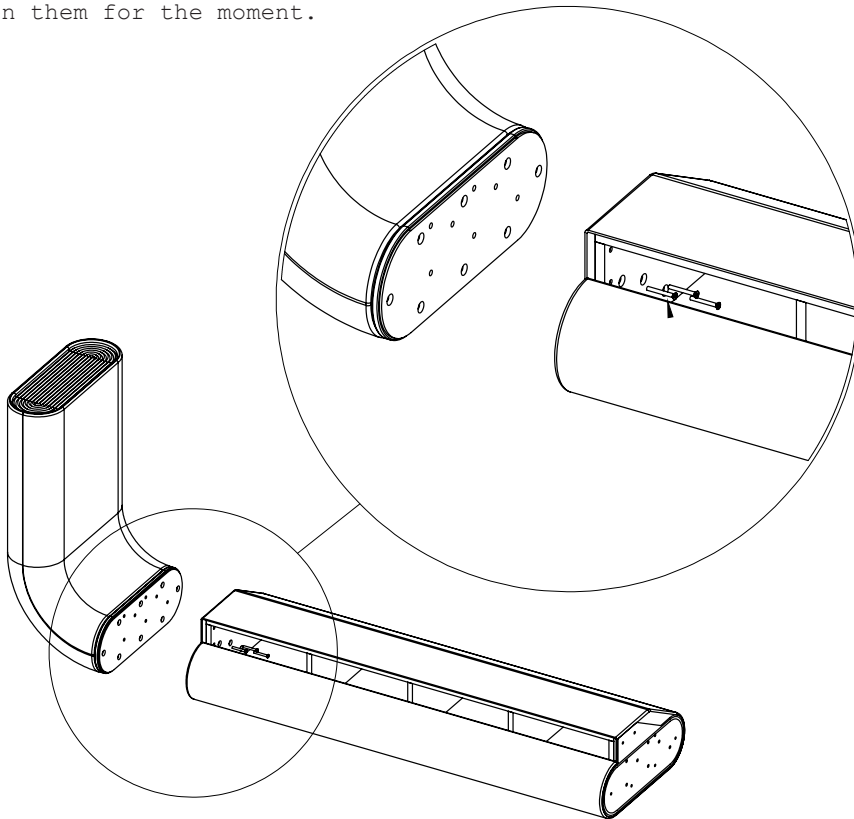
280CL/CR UNION CORNER UNIT SOFA BY AUTOBAN

INSTRUCTIONS

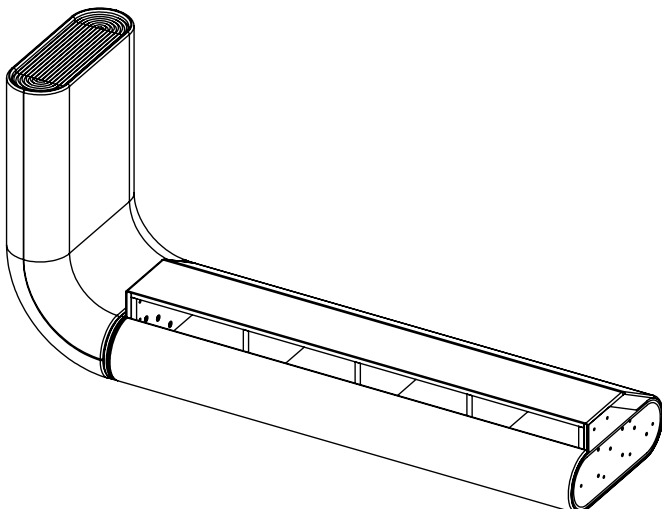
1) ATTACH LEFT ARM MODULE TO BACK MODULE

a) Unpack components and lay them out so they are in the correct orientation. Place the back module and left arm module on their backs on the floor.

b) Push the two modules together, and support the arm module to keep it at a right angle to the floor. Insert 7x M8x60 Counter-sunk Screws into the pre-drilled holes, and only **loosely** tighten them for the moment.



c) The assembly should now look like this.



0  
2  
A  
U  
T  
O  
B  
A  
N

**ASSEMBLY INSTRUCTIONS CONTINUED**

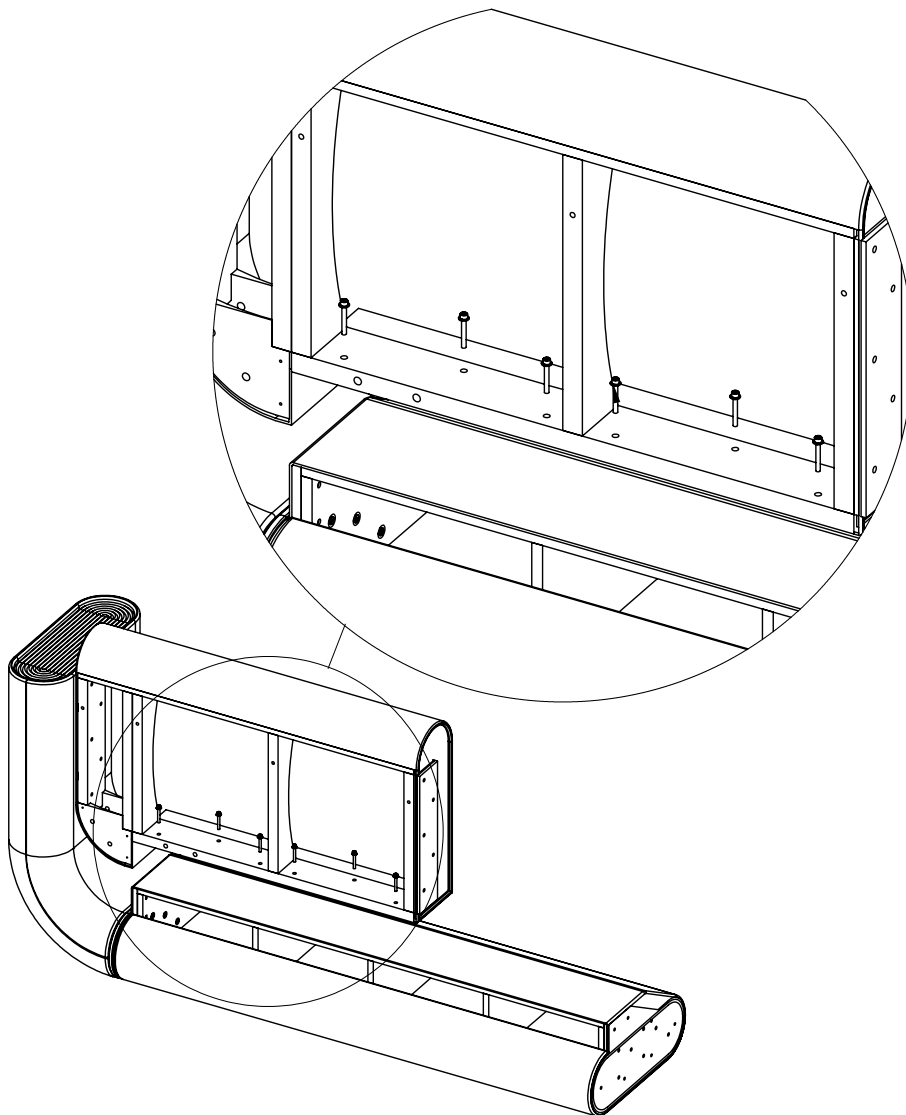
280CL/CR UNION CORNER UNIT SOFA BY AUTOBAN

2) ATTACH THE SEAT MODULE

a) Position the seat module into the left arm/backrest assembly.

b) Unzip the lining on the underside of the seat module to reveal the structure beneath.

c) Place a washer onto each of 6x M8x60 Allen Key Screws, then insert the screws into the pre-drilled holes where the seat module and backrest meet. Tighten with an Allen Key.

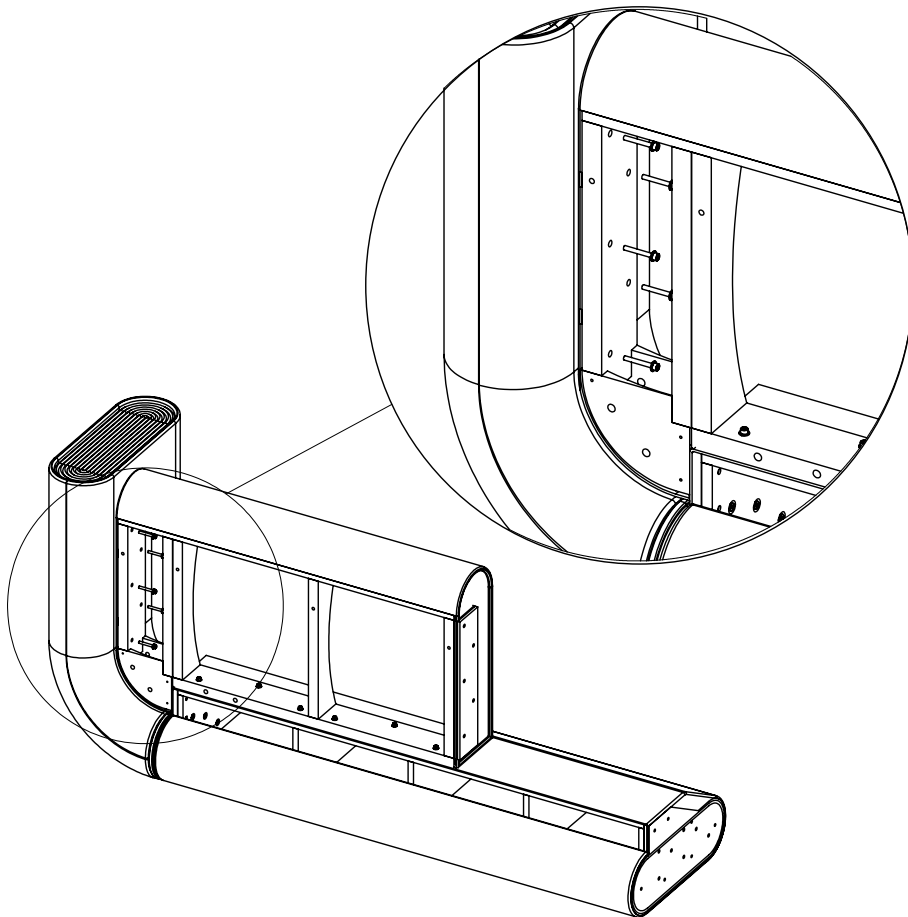


0  
3  
A  
U  
T  
O  
B  
A  
N

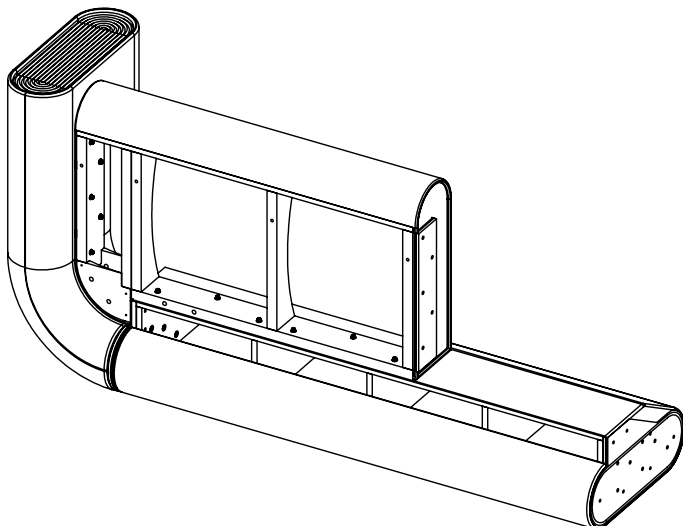
**ASSEMBLY INSTRUCTIONS CONTINUED**

280CL/CR UNION CORNER UNIT SOFA BY AUTOBAN

c) Place a washer onto each of 6x M8x130 Allen Key Screws, then insert the screws into the pre-drilled holes where the seat module and left arm module meet. Tighten with an Allen Key.



d) The assembly should now look like this.



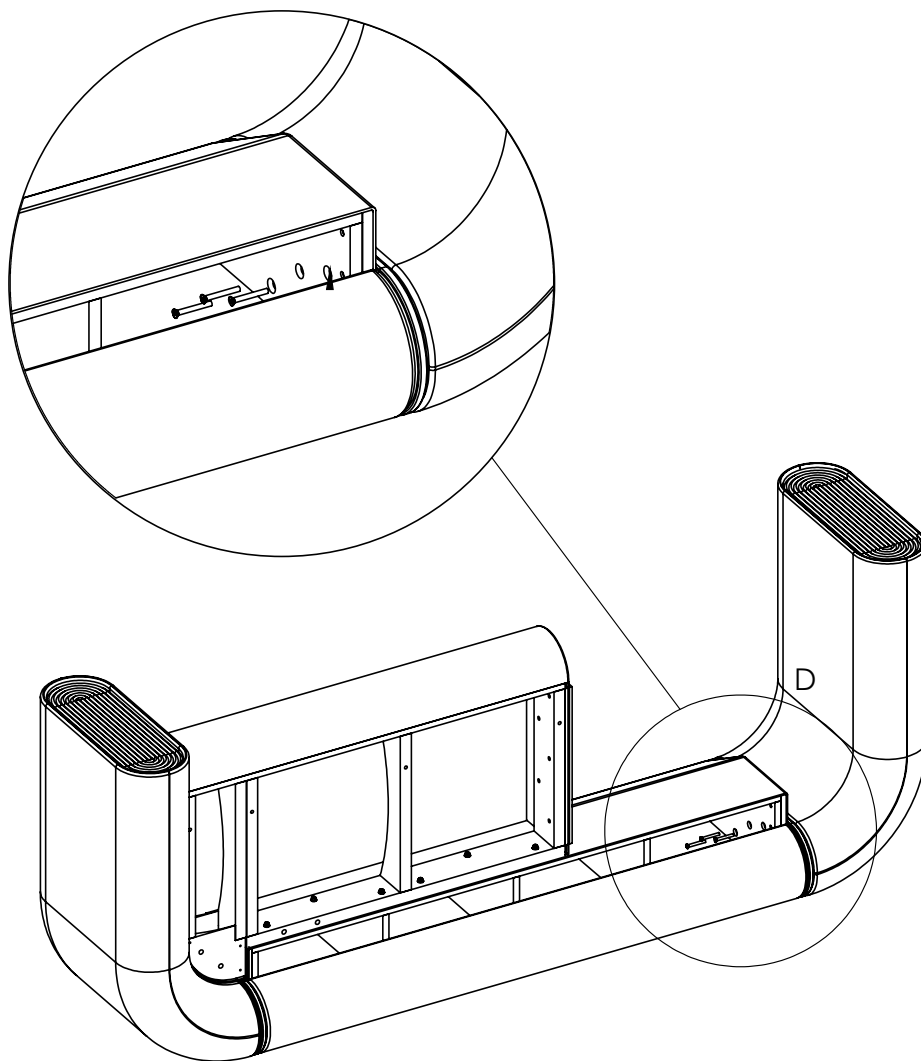
0  
4  
A  
U  
T  
O  
B  
A  
N

**ASSEMBLY INSTRUCTIONS CONTINUED**

280CL/CR UNION CORNER UNIT SOFA BY AUTOBAN

3) ATTACH RIGHT ARM MODULE TO BACK MODULE

a) Push the two modules together, and support the arm module to keep it at a right angle to the floor. Insert 7x M8x60 Counter-sunk Screws into the pre-drilled holes, and only **loosely** tighten them for the moment.



0  
5  
A  
U  
T  
O  
B  
A  
N

**ASSEMBLY INSTRUCTIONS CONTINUED**

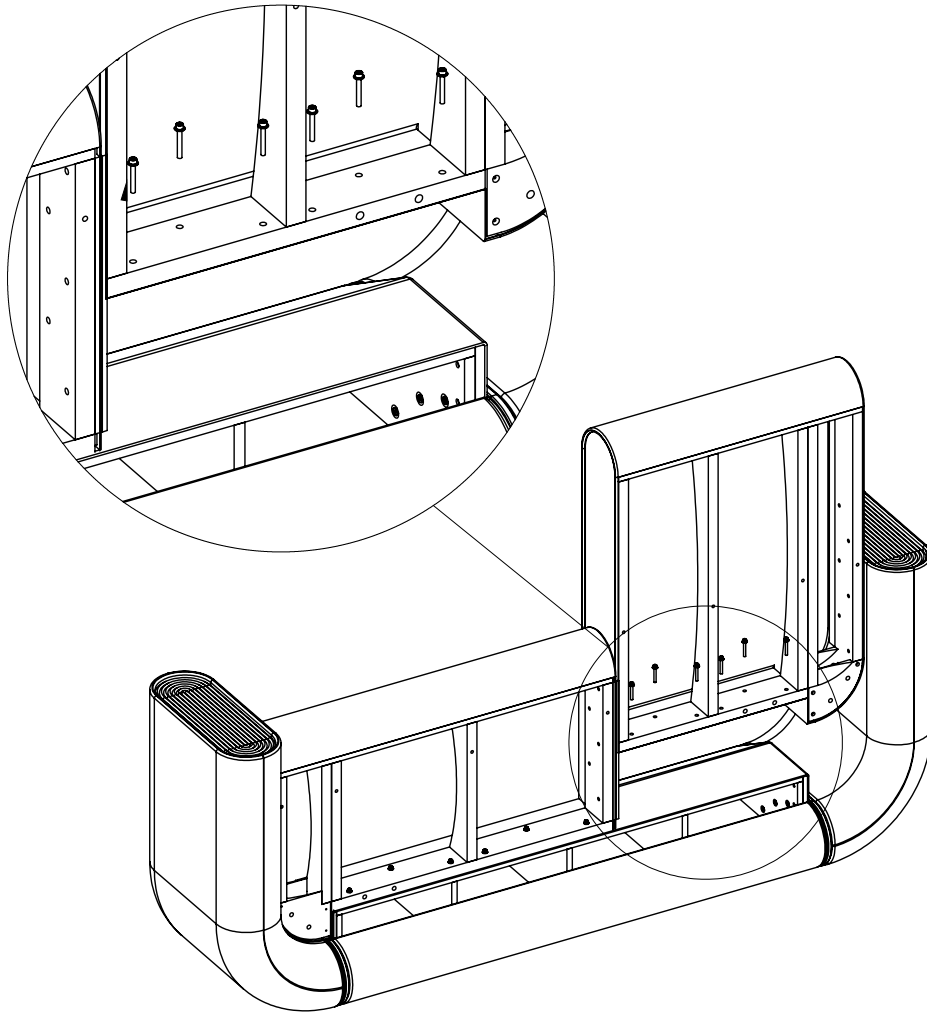
280CL/CR UNION CORNER UNIT SOFA BY AUTOBAN

4) ATTACH CHAISE MODULE

a) Position the chaise module into the right arm/backrest assembly.

b) Unzip the lining on the underside of the chaise module to reveal the structure beneath.

c) Place a washer onto each of 6x M8x60 Allen Key Screws, then insert the screws into the pre-drilled holes where the chaise module and backrest meet. Tighten with an Allen Key.

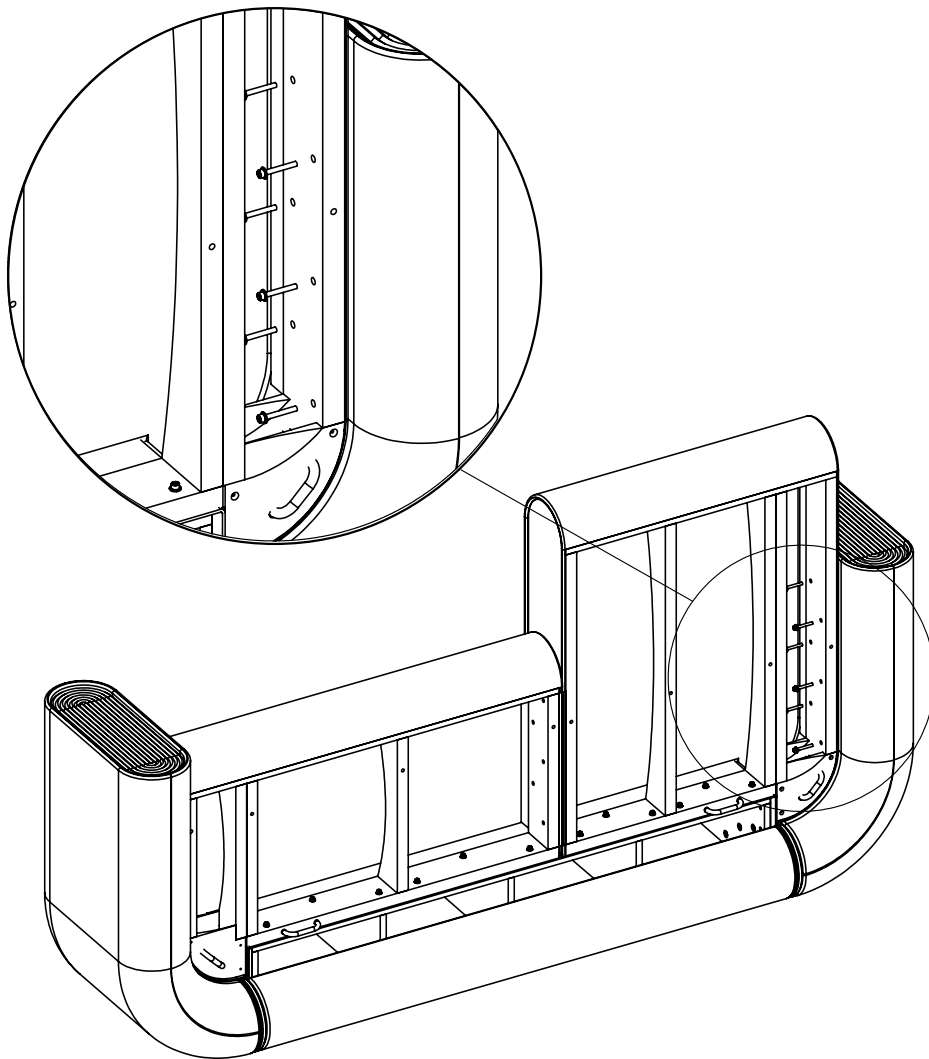


0  
6  
A  
U  
T  
O  
B  
A  
N

**ASSEMBLY INSTRUCTIONS CONTINUED**

**280CL/CR UNION CORNER UNIT SOFA BY AUTOBAN**

c) Place a washer onto each of 6x M8x130 Allen Key Screws, then insert the screws into the pre-drilled holes where the seat module and right arm module meet. Tighten with an Allen Key.



0  
7  
A  
U  
T  
O  
B  
A  
N

**ASSEMBLY INSTRUCTIONS CONTINUED**

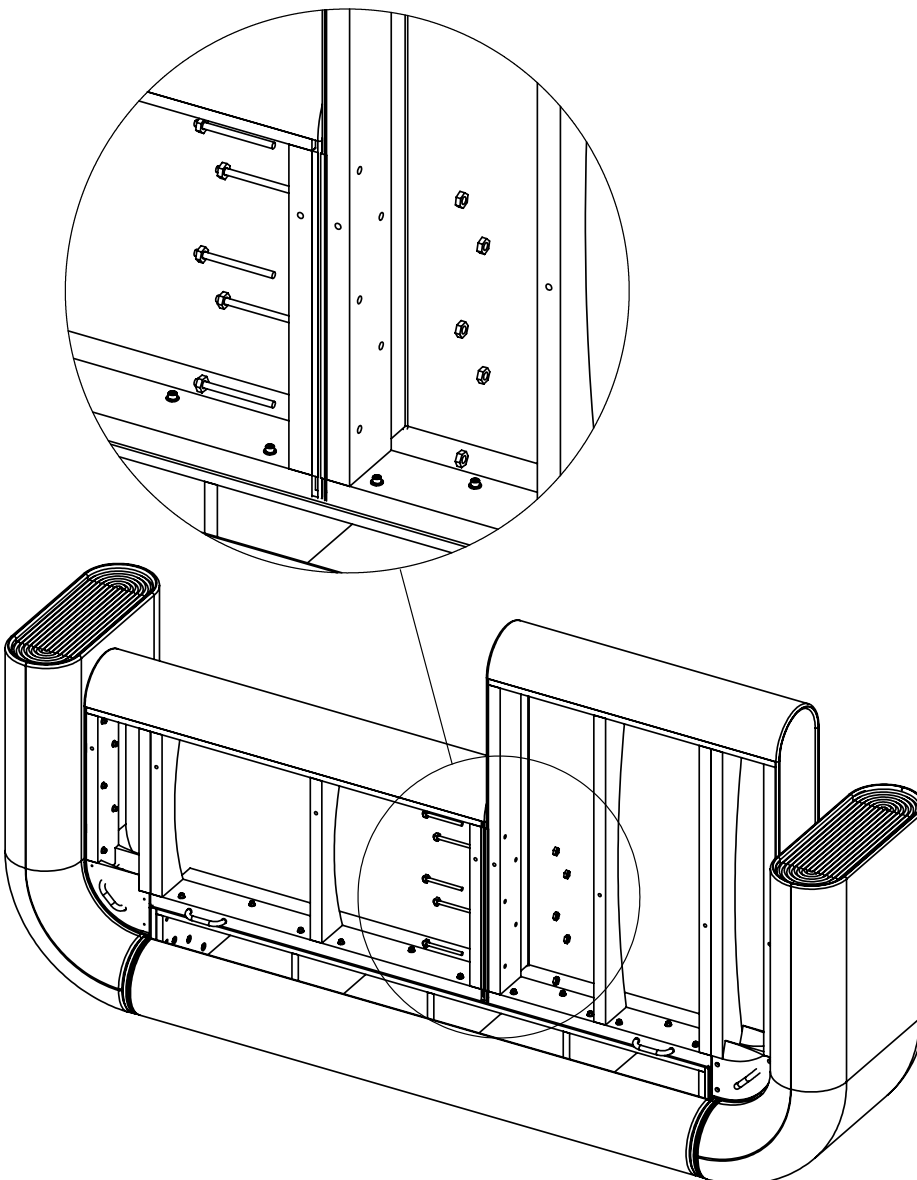
280CL/CR UNION CORNER UNIT SOFA BY AUTOBAN

5) ATTACH THE SEAT AND CHAISE MODULES

a) Insert 5x M8 threaded rods into the pre-drilled holes where the two seat modules meet. Place one nut and one washer on each side of each rod, and tighten with the socket/ratchet set or spanner (wrench).

b) Now go back and look at the sofa, making sure all of the parts are aligned neatly. Make any adjustments necessary.

c) Once you are satisfied with the alignment, tighten all hardware firmly.



0  
8  
A  
U  
T  
O  
B  
A  
N



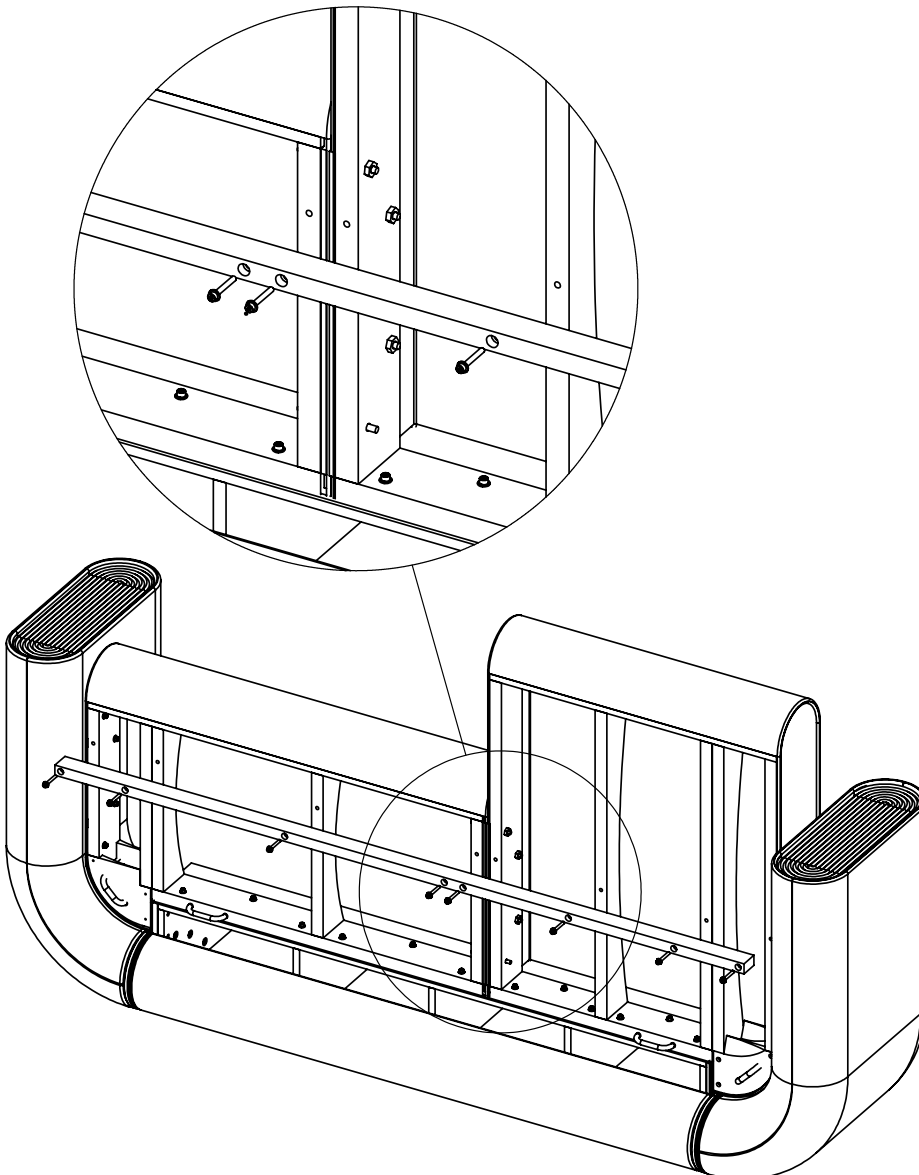
**ASSEMBLY INSTRUCTIONS CONTINUED**

280CL/CR UNION CORNER UNIT SOFA BY AUTOBAN

6) ATTACH SUPPORT BEAM

a) Once all hardware is secured firmly, zip up the lining on the underside of the seat and chaise modules.

b) Position the support beam so the pre-drilled holes align with the holes on the underside of the seat and chaise modules. Place a washer onto each of 8x M8x60 Allen Key Screws, then insert the screws into the pre-drilled holes. Tighten with an Allen Key.



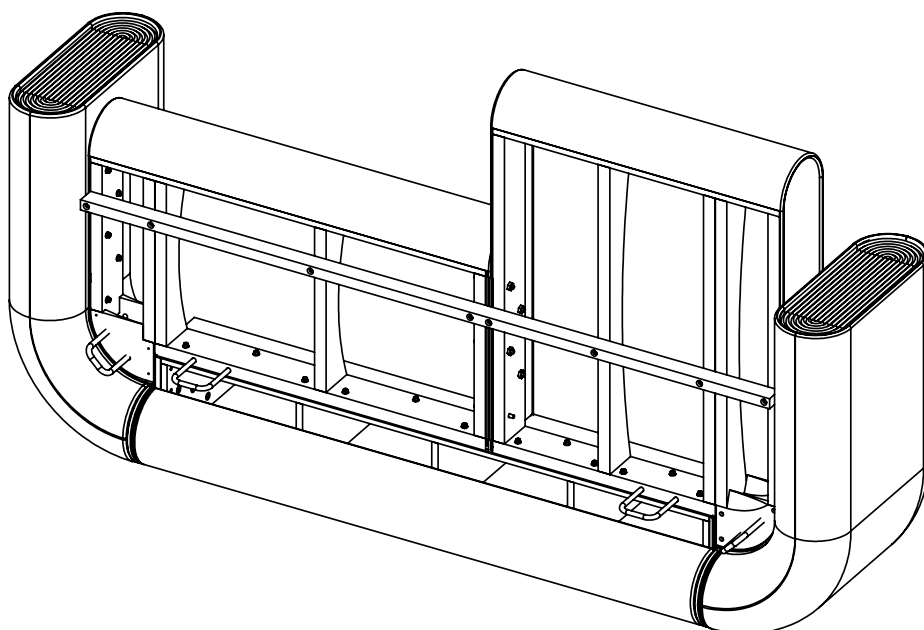
0  
9  
A  
U  
T  
O  
B  
A  
N

**ASSEMBLY INSTRUCTIONS CONTINUED**

280CL/CR UNION CORNER UNIT SOFA BY AUTOBAN

7) EXTEND THE ROPE HANDLES

a) Locate the rope handles on the underside of the sofa, near the backrest. Pull each handle toward you to extend it to its full size.



1  
0  
A  
U  
T  
O  
B  
A  
N

**ASSEMBLY INSTRUCTIONS CONTINUED**

**280CL/CR UNION CORNER UNIT SOFA BY AUTOBAN**

8) FLIP THE SOFA INTO ITS NATURAL UPRIGHT POSITION

a) With the help of a few friends, flip the sofa into its natural upright position, by holding the front of the arms and the rope handles provided which will also help you position the sofa.

1

1

A

U

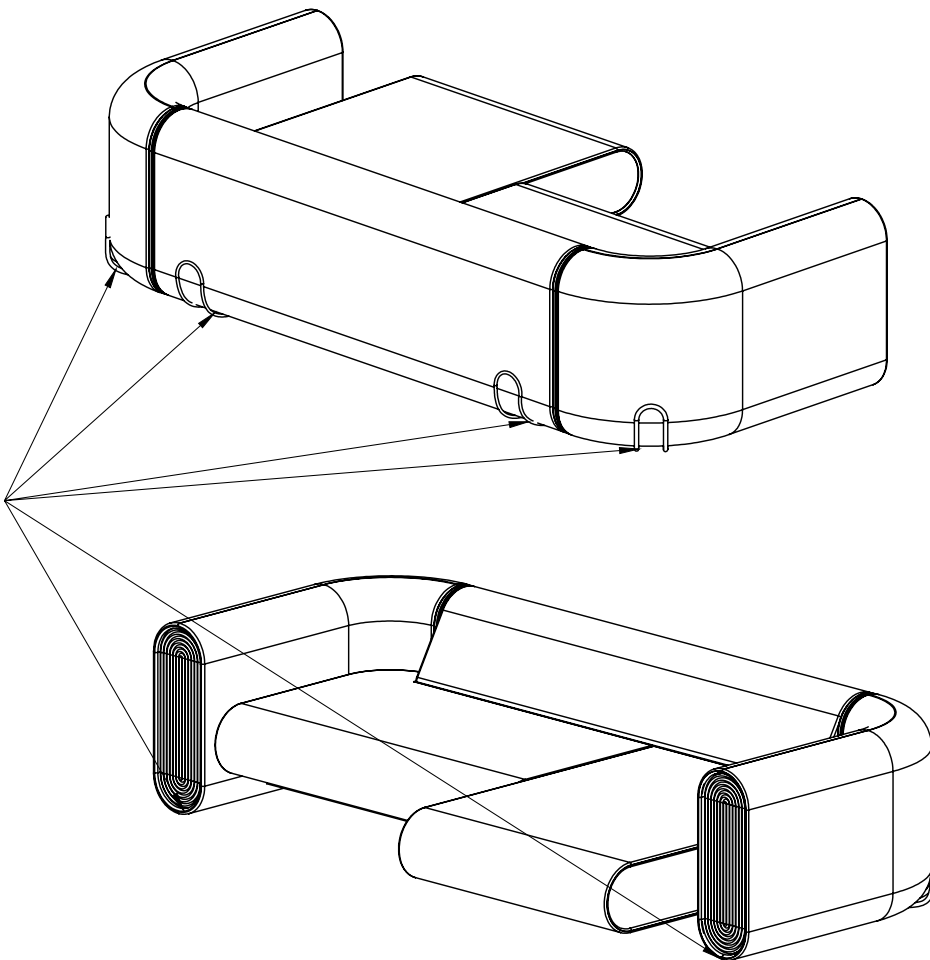
T

O

B

A

N

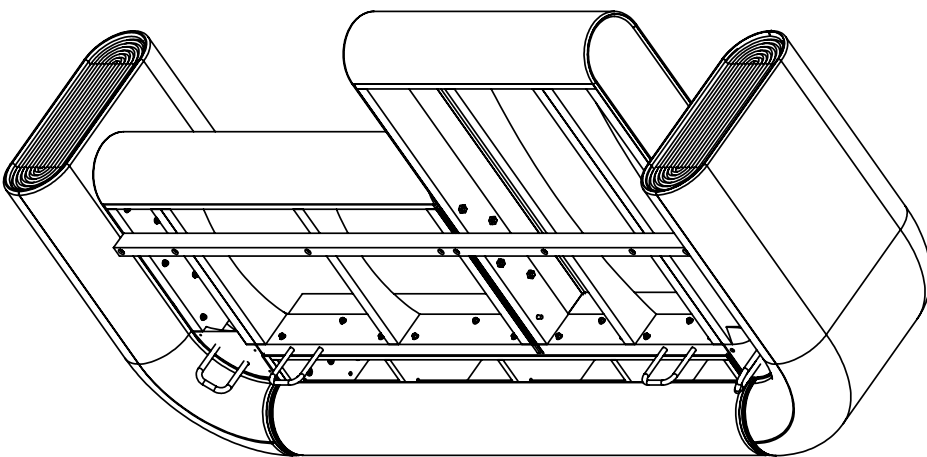


**ASSEMBLY INSTRUCTIONS CONTINUED**

280CL/CR UNION CORNER UNIT SOFA BY AUTOBAN

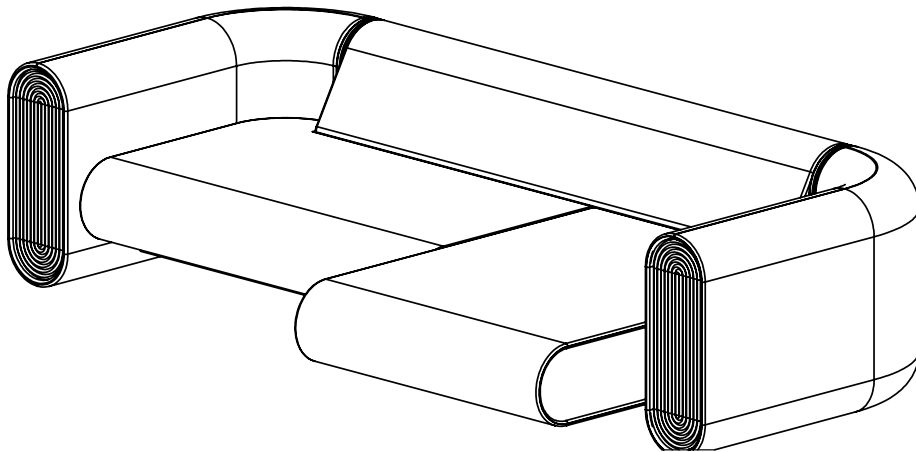
9) TUCK IN THE ROPE HANDLES

a) Once the sofa is positioned as desired, you can tuck the ropes under the sofa to hide them until they are needed again. First, tilt the sofa frame, then unzip the lining before pushing the rope handles into the lining and zipping back up. Carefully place the sofa back in its natural upright position once complete.



b) Place the loose cushions onto the sofa as desired.

c) Assembly is now complete and the sofa is ready for use.



1  
2  
A  
U  
T  
O  
B  
A  
N