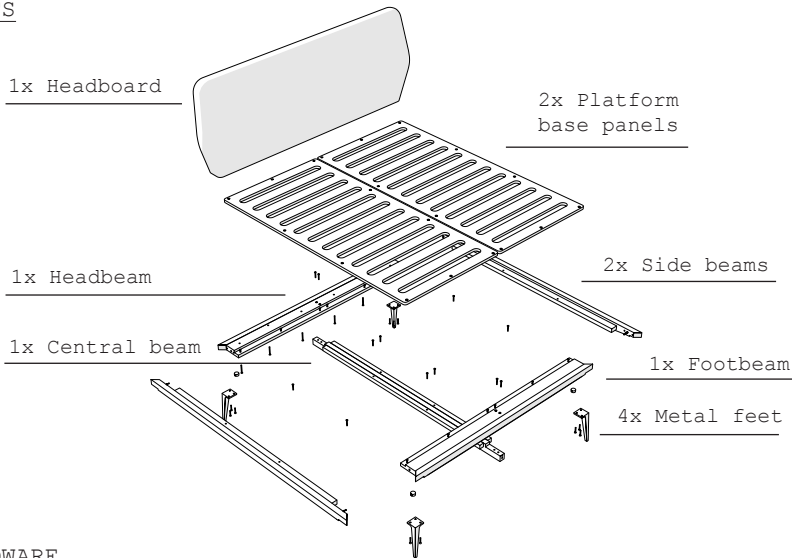


**ASSEMBLY INSTRUCTIONS**

**BRETTON BED BY MATTHEW HILTON**

**PARTS**



**HARDWARE**

(4x) Universal connector



(4x) M8x40 Metal dowel



(12x) M6x20 bolts



(10x) M6x45 bolts



(20x) M6x50 countersunk screws



**YOU WILL NEED**

- Phillips head screwdriver
- 6mm and 5mm Allen Key
- The help of a friend

**NOTES**

NOTE 1: Be certain that all assembly is carried out on a flat and stable surface. This will ensure a good final result. Reverse the steps to disassemble the piece.

NOTE 2: Your furniture arrives packed in numerous layers that protect it during transport. It is important that you remove the packaging carefully to avoid damaging your furniture. Refer to our information sheet "Unpacking Your Furniture" for further details.

NOTE 3: Great care is required when assembling our products . Use blankets to soften the assembly surface - hard surfaces such as wood or stone flooring may damage the furniture if in direct contact.

NOTE 4: We advise that assembly and disassembly of De La Espada furniture is undertaken by a minimum of 2 people.

O  
1  
M  
A  
T  
T  
H  
E  
W  
H  
E  
N

**ASSEMBLY INSTRUCTIONS CONTINUED**

BRETTON BED

NOTE 5: When screwing in bolts, tighten well, but be sure NOT TO OVERTIGHTEN. This can cause the thread to strip thus resulting in a poor connection.

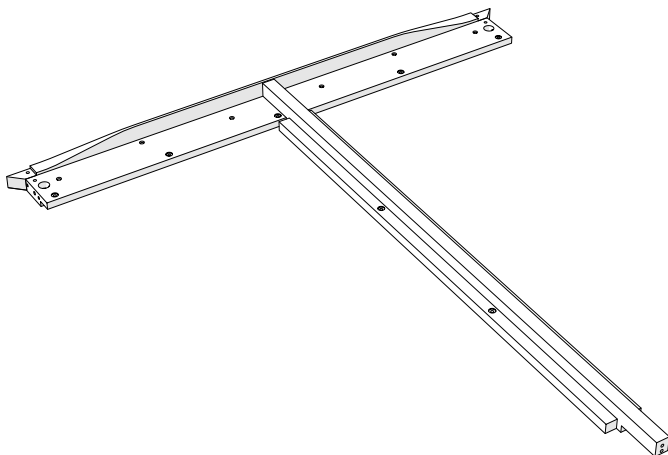
NOTE 6: All mating parts are numbered so they correspond to the appropriate part around the frame of the bed. you will ensure the best possible fit if all parts are mated with the corresponding numbered parts. While you work, be sure all connections are flush with no gaps.

INSTRUCTIONS

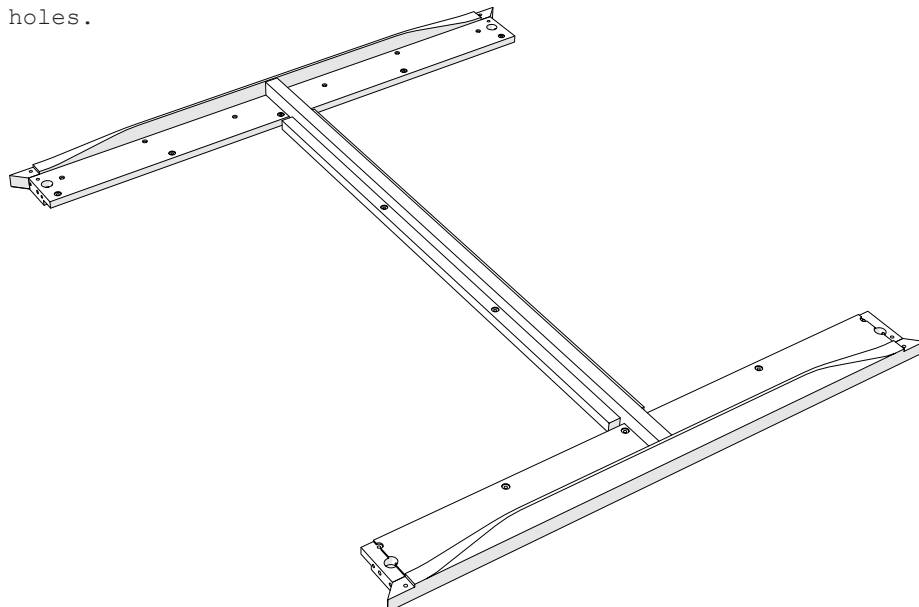
1. ATTACH CENTRAL BEAM TO HEADBEAM AND FOOTBEAM

a) Unpack components and lay them face down on the floor, so they are in the correct orientation. Check for number markings.

b) Place cutout of central beam onto the cutout on the head-beam, by slotting the wooden dowels into the corresponding holes.



c) Place cutout of central beam onto the cutout on the foot-beam, by slotting the wooden dowels into the corresponding holes.

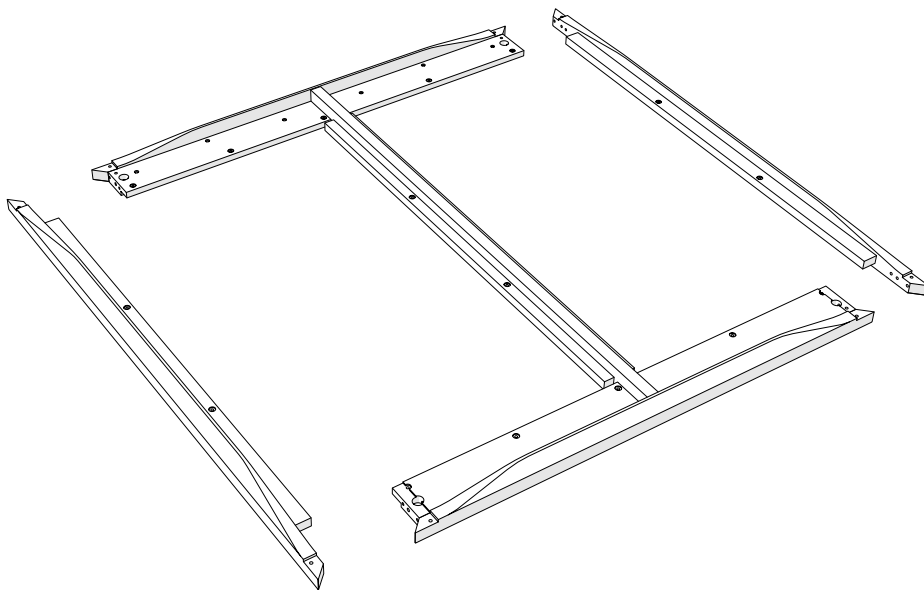


0  
2  
M  
A  
T  
T  
H  
E  
W  
H  
I  
L  
E  
O  
N

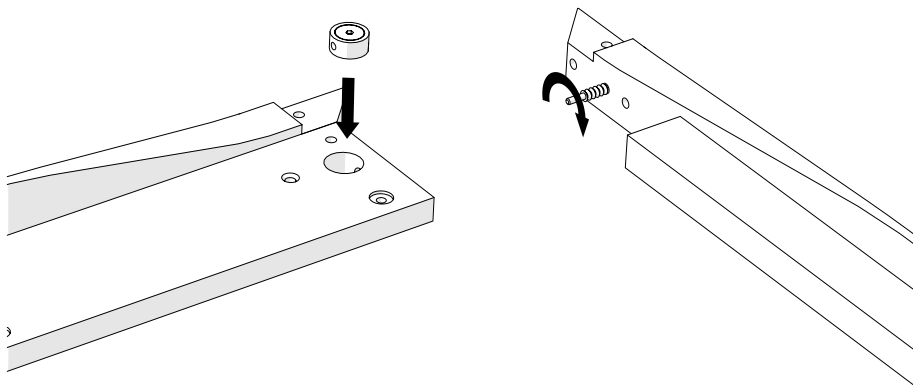
**ASSEMBLY INSTRUCTIONS CONTINUED**  
**BRETTON BED**

2. ATTACH SIDEBEAMS

a) Lay the sidebeams face down on the floor, so they are in the correct orientation. Check for number markings.



b) At each corner, place a Universal Connector in the rebate in the headbeam and footbeam, and insert a metal dowel into each end of each sidebeam. Guide the metal dowels into the Universal Connectors and tighten firmly with an Allen Key.



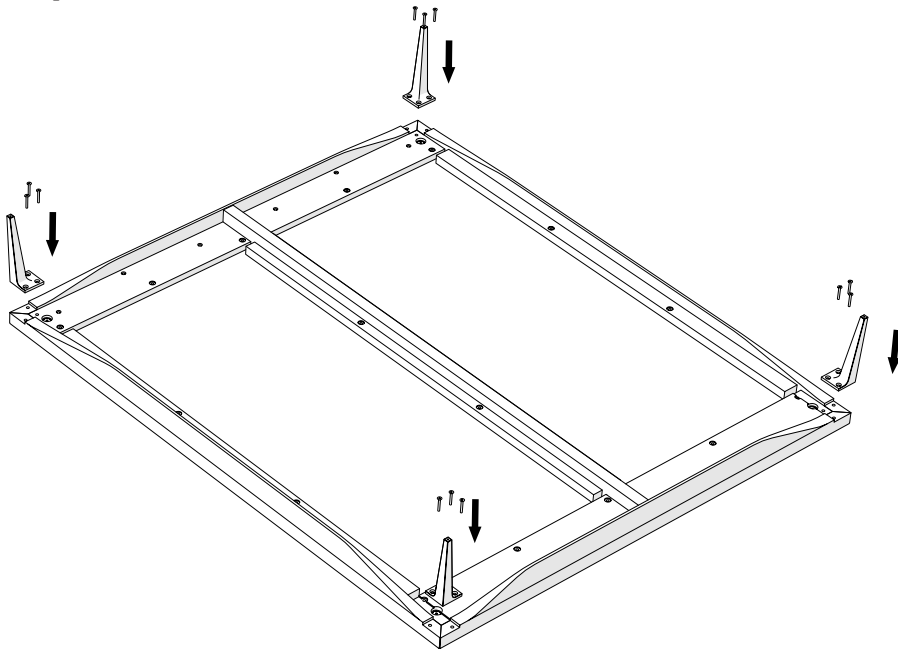
0  
3  
M  
A  
T  
T  
H  
E  
W  
H  
I  
L  
I  
O  
N

**ASSEMBLY INSTRUCTIONS CONTINUED**  
**BRETTON BED**

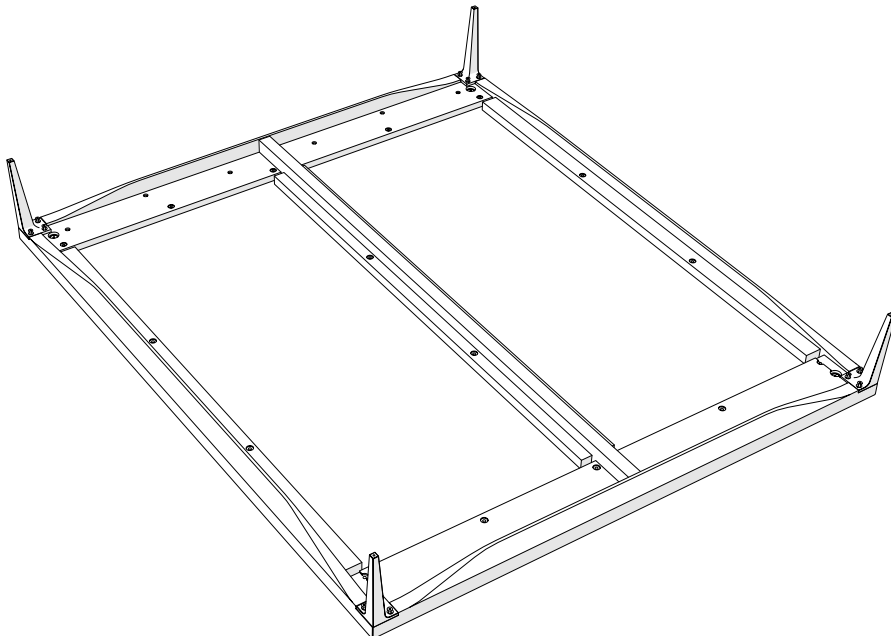
3. ATTACH METAL FEET

a) Place a metal foot into the recess in each corner and secure with three M6x20 bolts, tightened with an Allen Key.

NOTE: The Bretton legs are made from gravity die-cast aluminium. Small surface irregularities are a normal result of this production process, and once installed on the Bretton, these tend to be imperceptible. Each Bretton Bed is sent with two legs with minimal surface irregularities for installation at the front, and two legs which may contain one or more cavities, for placement at the back.



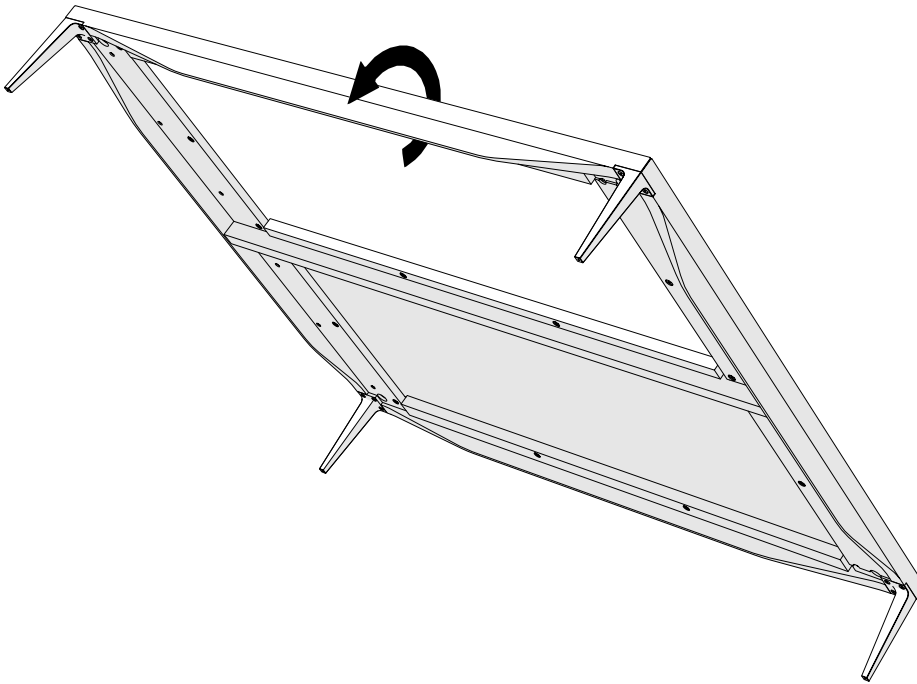
b) The frame should now look like this.



0  
4  
M  
A  
T  
T  
H  
E  
W  
H  
I  
L  
H  
O  
N

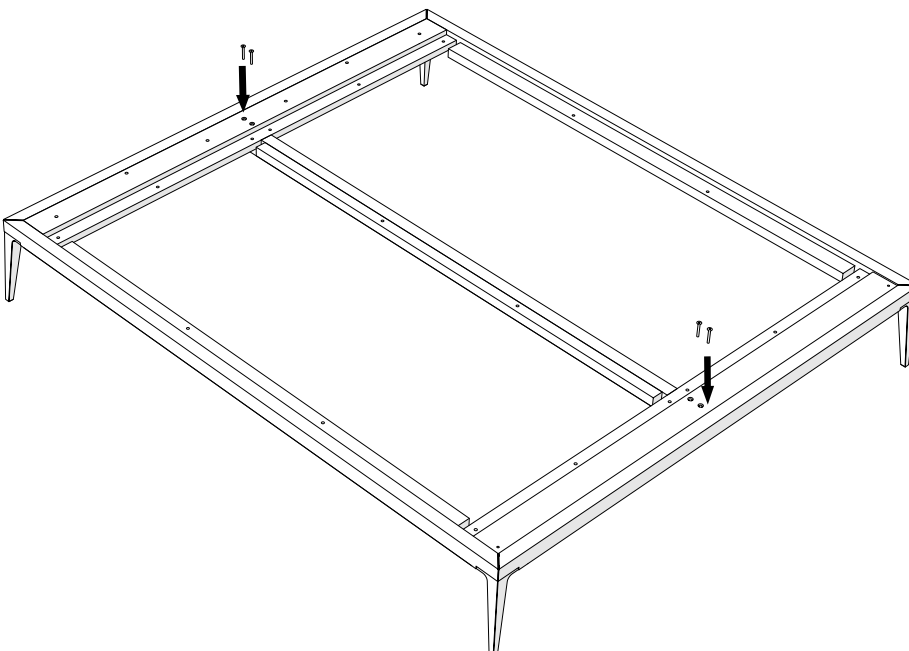
**ASSEMBLY INSTRUCTIONS CONTINUED**  
**BRETTON BED**

c) With the help of a friend, carefully turn over the frame so it is in its natural upright position.



**4. SECURE CENTRAL BEAM**

a) Secure the central beam by inserting 2x M6x45 bolts through the headbeam and footbeam and into the central beam. Tighten with an Allen Key.

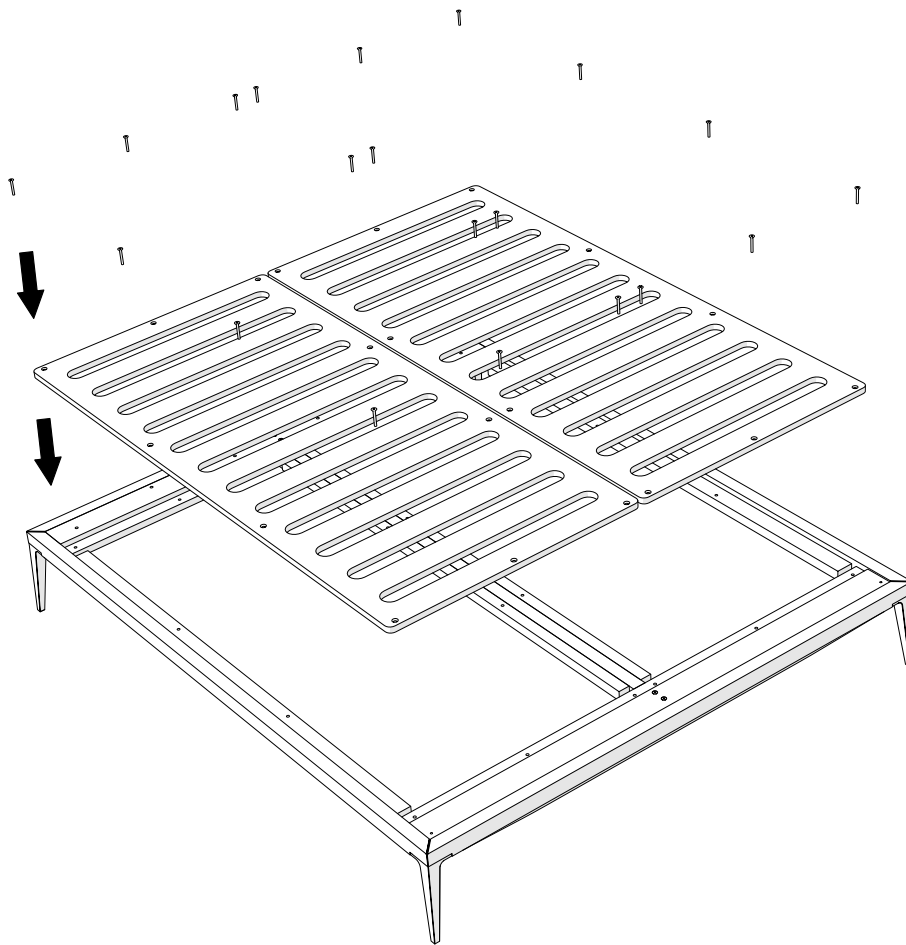


0  
5  
M  
A  
T  
T  
H  
E  
W  
H  
I  
L  
T  
I  
O  
N

**ASSEMBLY INSTRUCTIONS CONTINUED**  
**BRETTON BED**

5. ATTACH THE PLATFORM BASE PANELS TO THE FRAME

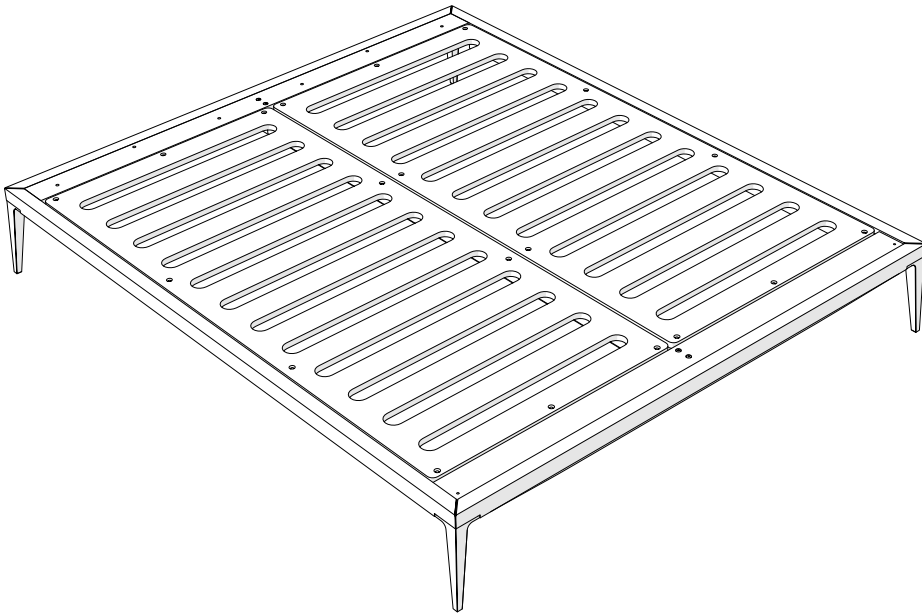
- a) Position the platform base panels onto the bed frame, aligning the holes in the panels with those on the frame.
- b) Place an M6x50 countersunk screw into each hole and tighten with a screwdriver.



0  
6  
M  
A  
T  
T  
H  
E  
W  
H  
I  
L  
I  
O  
N

**ASSEMBLY INSTRUCTIONS CONTINUED**  
**BRETTON BED**

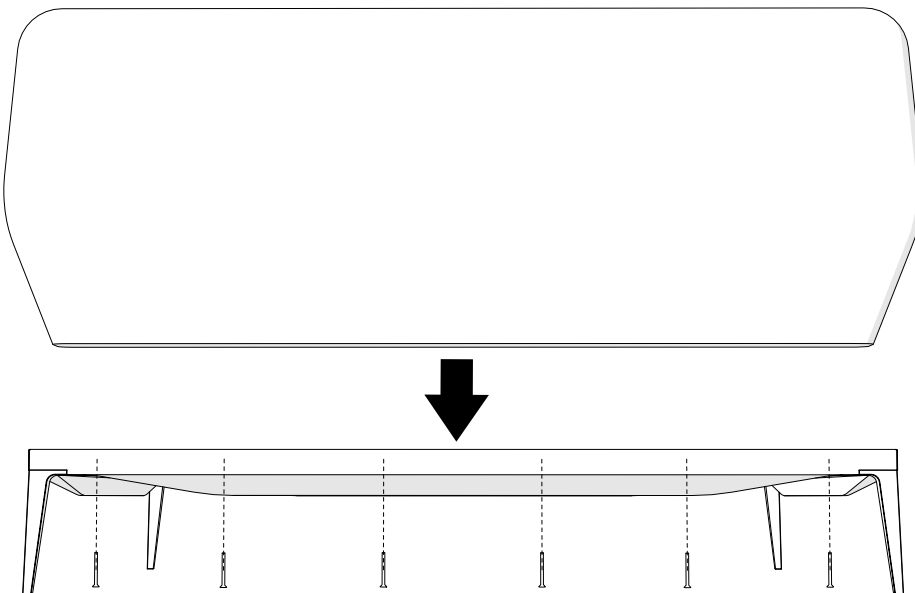
c) The platform base should now look like this.



**6. ATTACH THE HEADBOARD**

a) Place the headboard onto the platform base at the headbeam end, being sure to align the pre-drilled holes.

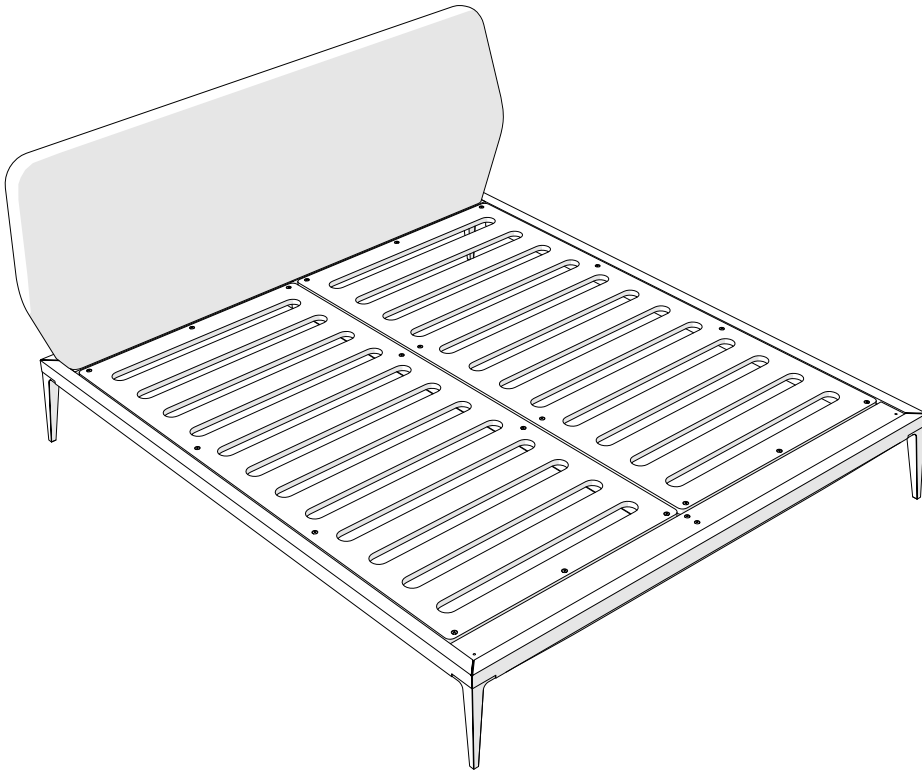
b) From below, insert 6x M6x45 bolts through the platform base and into the headboard, tightening with an Allen Key.



0  
7  
M  
A  
T  
T  
H  
E  
W  
H  
I  
L  
I  
O  
N

**ASSEMBLY INSTRUCTIONS CONTINUED**  
**BRETTON BED**

c) Assembly is now complete and the bed is ready to receive a mattress.



0  
8  
M  
A  
T  
T  
H  
E  
W  
H  
I  
L  
H  
O  
N