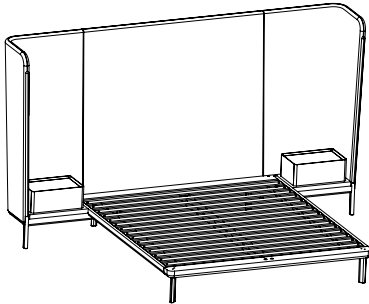


ASSEMBLY INSTRUCTIONS

DUBOIS BED BY NICHETTO



PARTS

- 1x Headboard
- 2x Headboard wings
- 1x Headboard beam
- 1x Beech linking beam
- 1x Footboard
- 2x Sidebeams
- 1x Central beam
- 2x Bedside tables
- 15x Timber slats (NOTE: California King size has 16x Timber slats plus 2x additional M5x40 bolts and washers)

HARDWARE

- (12x) Universal connector
- (12x) M8x40 Metal dowel



- (4x) M6x30 bolts
- (10x) M8x40 bolts



- (3x) M8x60 bolts
- (4x) M8x50 Thumb bolts



- (30x) M5x40 bolts
- (30x) M5 washers



YOU WILL NEED

- 5mm socket/ratchet set OR cordless drill with the appropriate attachment
- 4mm Allen Key
- 5mm Allen Key
- The help of a friend

NOTES

NOTE 1: Be certain that all assembly is carried out on a flat and stable surface. This will ensure a good final result. Reverse the steps to disassemble the piece.

NOTE 2: Your furniture arrives packed in numerous layers that protect it during transport. It is important that you remove the packaging carefully to avoid damaging your furniture. Refer to our information sheet "Unpacking Your Furniture" for further details.

NOTE 3: Great care is required when assembling our products . Use blankets to soften the assembly surface - hard surfaces

ASSEMBLY INSTRUCTIONS CONTINUED

DUBOIS BED

such as wood or stone flooring may damage the furniture if in direct contact.

NOTE 4: We advise that assembly and disassembly of De La Espada furniture is undertaken by a minimum of 2 people.

NOTE 5: When screwing in bolts, tighten well, but be sure NOT TO OVERTIGHTEN. This can cause the thread to strip thus resulting in a poor connection.

NOTE 6: All mating parts are numbered so they correspond to the appropriate part around the frame of the bed. you will ensure the best possible fit if all parts are mated with the corresponding numbered parts. While you work, be sure all connections are flush with no gaps.

INSTRUCTIONS

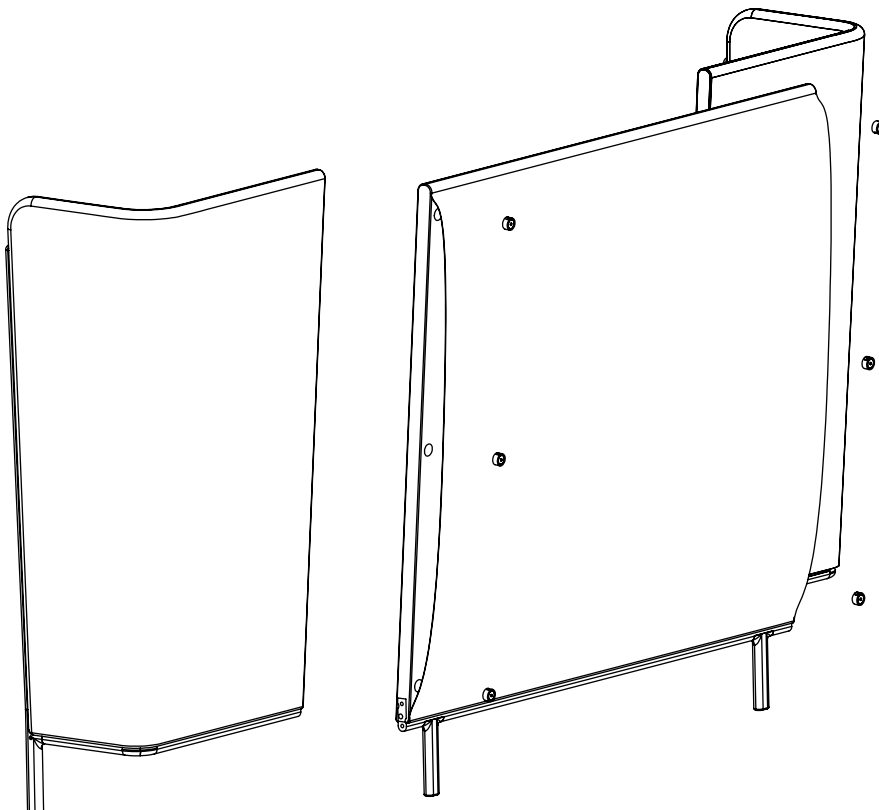
1. ATTACH HEADBOARD TO HEADBOARD WINGS

a) Unpack components and set them out so they are in the correct orientation. Check for number markings.

b) On the back of the headboard, reveal the pre-drilled holes by peeling back the fabric flap held by velcro.

c) Insert the Universal connectors into the headboard, and the metal dowels into the headboard wings, then guide the dowels into the Universal Connectors. Tighten with an Allen Key.

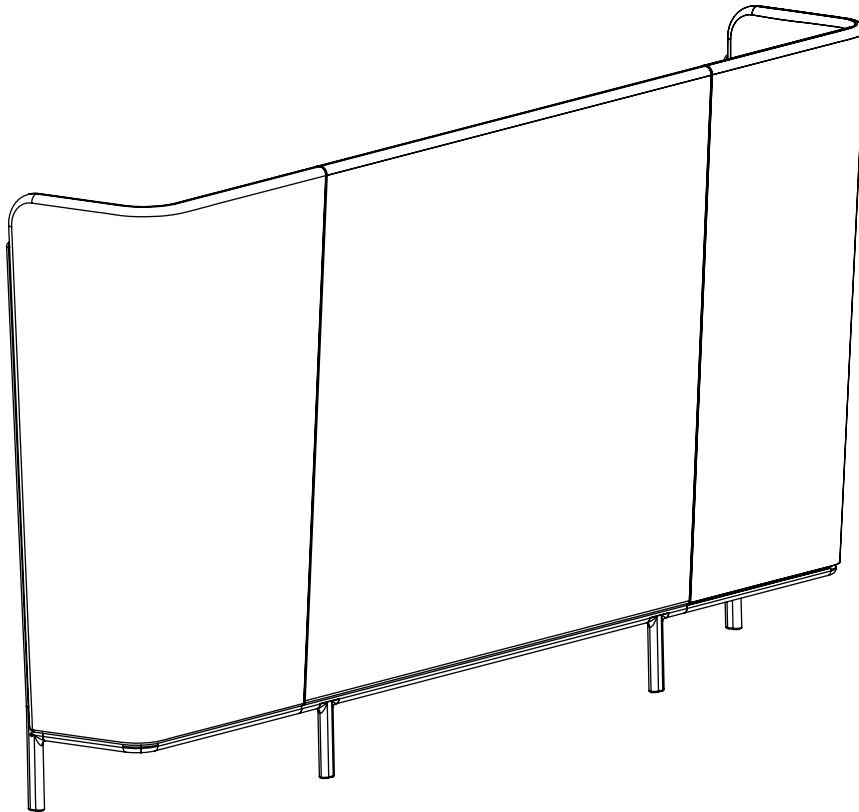
0
2
N
I
C
H
E
H
I
O



ASSEMBLY INSTRUCTIONS CONTINUED

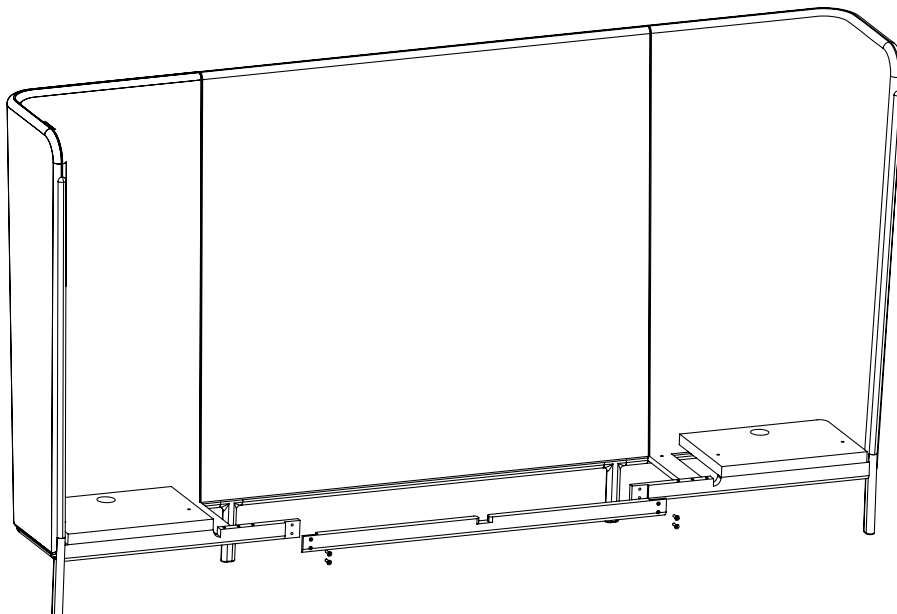
DUBOIS BED

d) Replace the fabric flap by reattaching the velcro, being sure to align with the beam. The headboard should now look like this from the back.



2. ATTACH THE BEECH LINKING BEAM

a) Position the beech linking beam, and secure with the 4x M6x30 bolts. Tighten with an Allen Key.



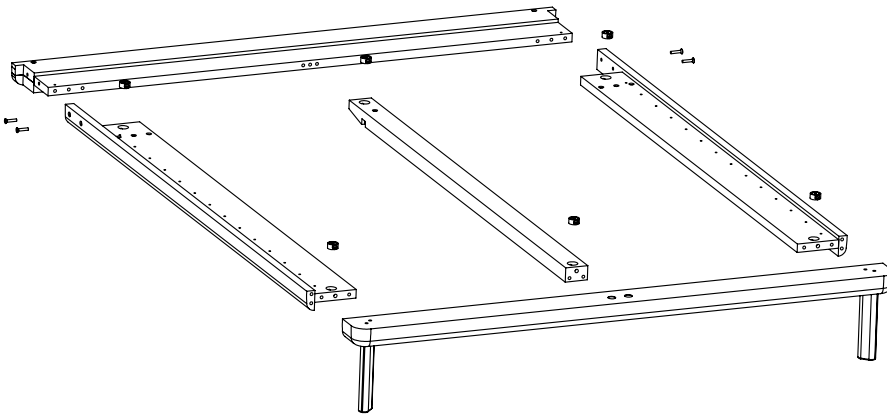
0
3
N
I
C
H
E
H
H
I
O

ASSEMBLY INSTRUCTIONS CONTINUED
DUBOIS BED

3. CONSTRUCT PLATFORM BASE

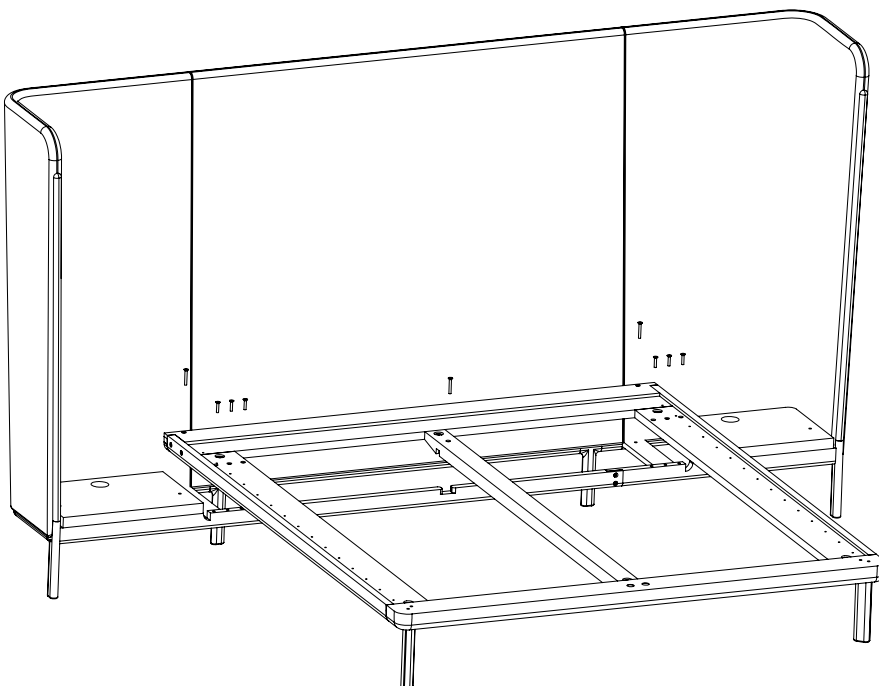
NOTE: you must attach the central beam and both side beams to the headboard beam before attaching the footboard.

- a) Set out components so they are in the correct orientation. Check for number markings.
- b) Insert Universal Connectors into relevant rebates and metal dowels into corresponding holes then guide the dowels into the Universal Connectors. Tighten with an Allen Key.
- c) Insert 2x M8x40 bolts into each side beam near the head end of the bed and tighten with an Allen Key.



4. ATTACH THE PLATFORM BASE TO THE HEADBOARD

- a) Guide the platform base onto the base of the headboard, aligning the pre-drilled holes and cut outs.
- b) Insert 6x M8x40 bolts and 3x M8x60 bolts and tighten with an Allen Key.



0
4
N
I
C
H
E
H
H
O

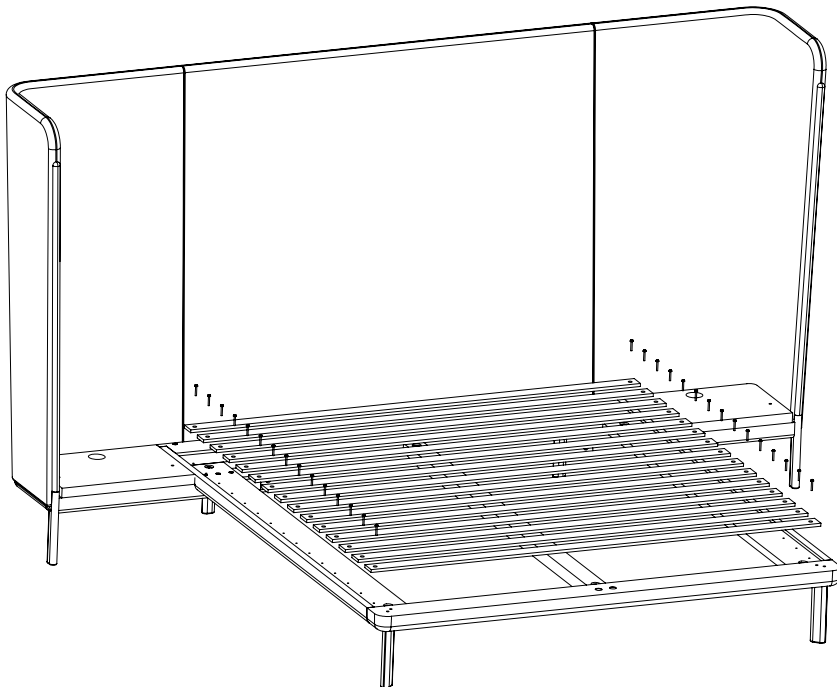
ASSEMBLY INSTRUCTIONS CONTINUED

DUBOIS BED

5. ATTACH THE TIMBER SLATS TO THE PLATFORM BASE

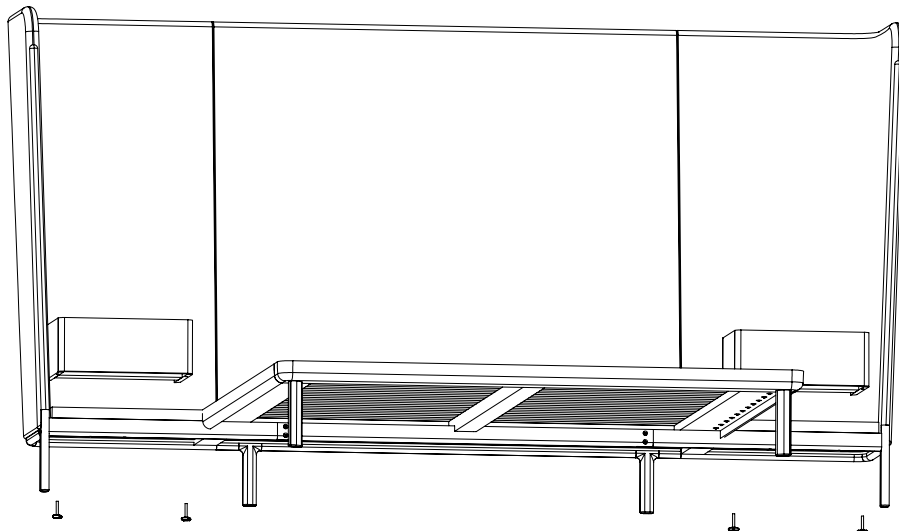
a) Space out the bed slats so they are aligned with the corresponding holes on the timber lip on the inner face of the side beams. The underside of the each slat has a threaded sleeve fixed inside. If the sleeve drops out, there are spares you can use. The top of each slat has a recess for the washer.

b) Place a washer in the recess of each slat and insert an M5x40 bolt through the slat and into the sidebeam. Using a cordless drill or socket set, tighten the bolts.



6. ATTACH THE BEDSIDE TABLES

a) Place the bedside tables in position, aligning the pre-drilled holes with those in the base, and insert the 4x M8x50 Thumb bolts from below. Tighten with your hand.

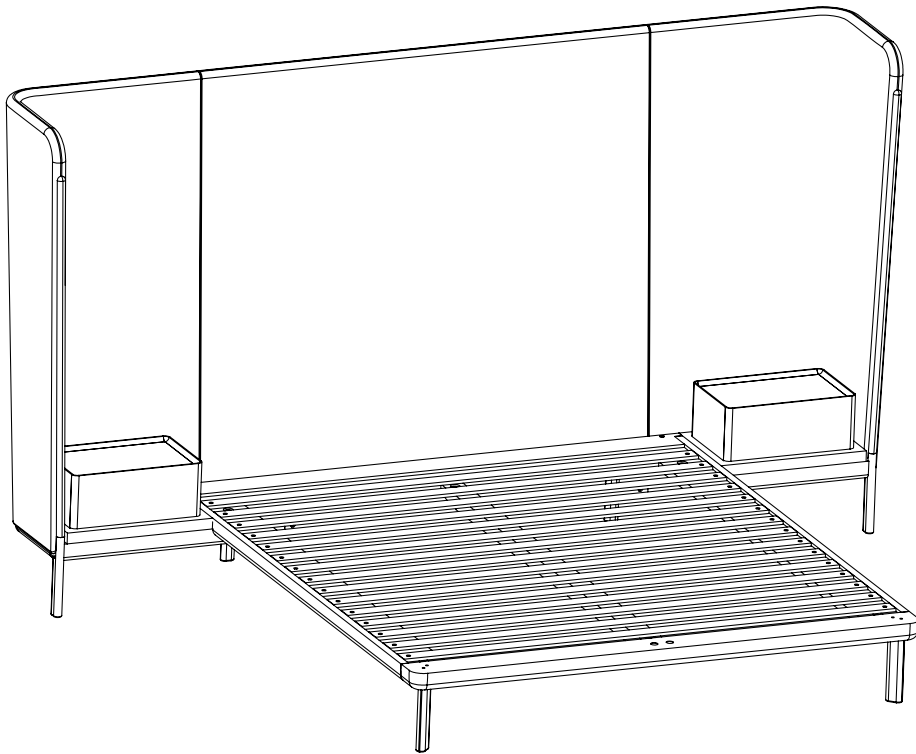


0
5
N
I
C
H
E
H
H
O

ASSEMBLY INSTRUCTIONS CONTINUED

DUBOIS BED

b) Assembly is now complete and your bed is ready to receive a mattress.



0
6
N
I
C
H
E
H
H
O

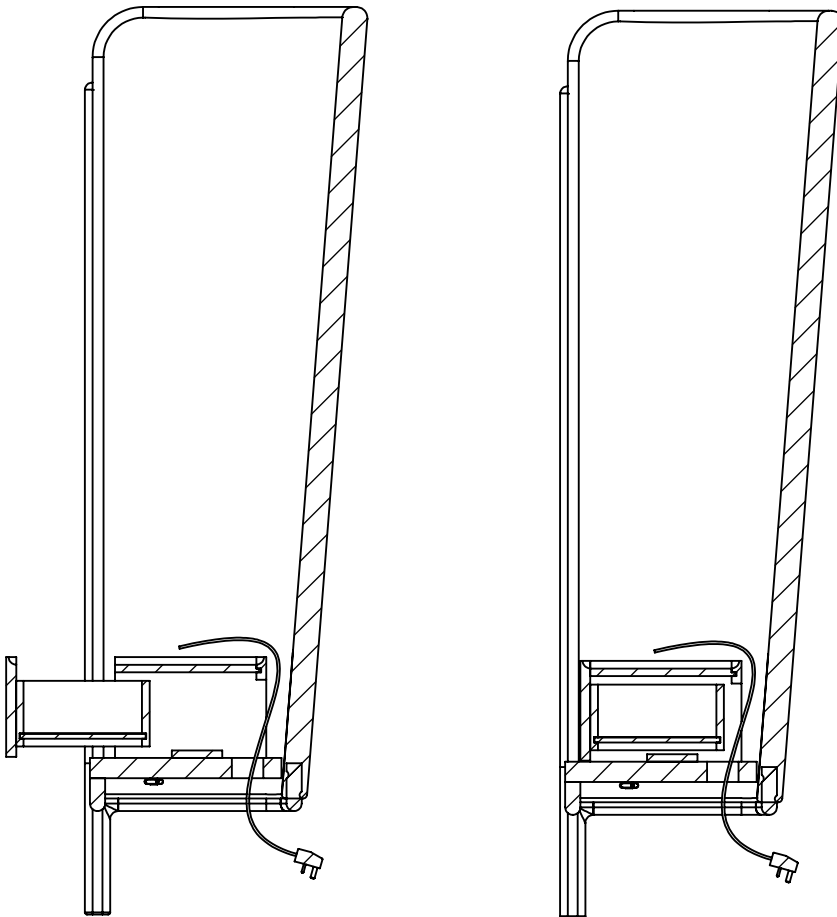
CABLE MANAGEMENT
DUBOIS BED

The Dubois Bed features cable management. To use this feature, follow the procedure below.

NOTE: The images below show a cut away section of the bed for ease of comprehension.

1. Pull out the bedside drawer to create space for the cable to pass behind the cabinet.

2. Feed the cable behind the cabinet and through the circular cut out in the base of the bedside frame before closing the drawer.



0
7
N
I
C
H
E
H
H
O