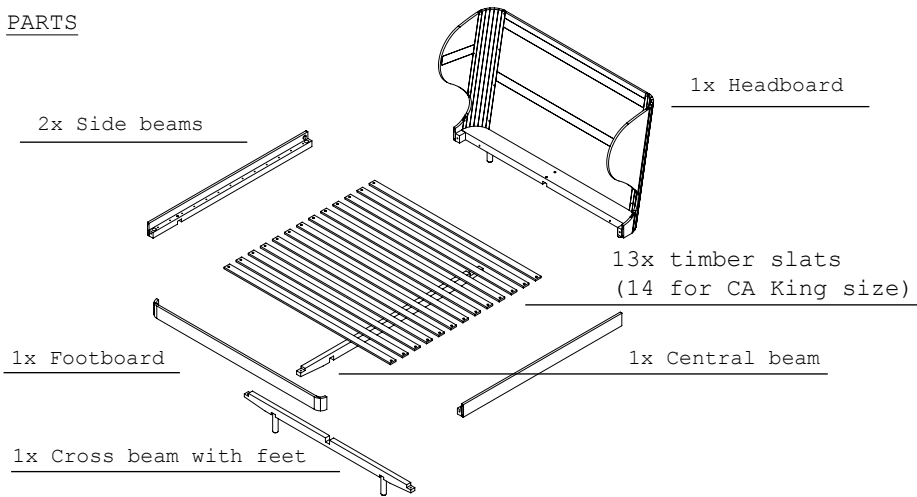


**ASSEMBLY INSTRUCTIONS**

SUITE BED BY AUTOBAN

PARTS



O  
1  
A  
U  
T  
O  
B  
A  
N

HARDWARE

Quantities vary per bed size. Smaller quantity for Queen, larger quantity for King.

(6x) Universal connector



(3x) M8x35 bolts



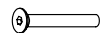
(26-28x) M5x65 bolts



(6x) Metal dowels



(2x) M8x50 bolts



(26-28x) Washers



YOU WILL NEED

- 8mm socket/ratchet key/set OR cordless drill with the appropriate attachment
- 5mm and 6mm Allen Key
- The help of a partner

NOTES

NOTE 1: Be certain that all assembly is carried out on a flat and stable surface. This will ensure a good final result. Reverse the steps to disassemble the piece.

NOTE 2: Your furniture arrives packed in numerous layers that protect it during transport. It is important that you remove the packaging carefully to avoid damaging your furniture. Refer to our information sheet "Unpacking Your Furniture" for further details.

NOTE 3: Great care is required when assembling our products. Use blankets to soften the assembly surface - hard surfaces such as wood or stone flooring may damage the furniture if in direct contact.

NOTE 4: We advise that assembly and disassembly of De La Espada furniture is undertaken by a minimum of 2 people.

**ASSEMBLY INSTRUCTIONS CONTINUED**

SUITE BED

NOTE 5: When screwing in bolts, tighten well, but be sure NOT TO OVERTIGHTEN. This can cause the thread to strip thus resulting in A poor connection.

NOTE 6: All mating parts are numbered so they correspond to the appropriate part around the frame of the bed. you will ensure the best possible fit if all parts are mated with the corresponding numbered parts. While you work, be sure all connections are flush with no gaps.

INSTRUCTIONS

1. IDENTIFY THE COMPONENTS OF THE MAIN FRAME

a) The sidebeams and the central beam have a wooden dowel protruding from either end. Identify correct orientation by matching up the numbers: 1 connects to 1, 2 connects to 2, and so forth.

2. ATTACH THE SIDEBEAMS AND CENTRAL BEAM TO THE HEADBOARD

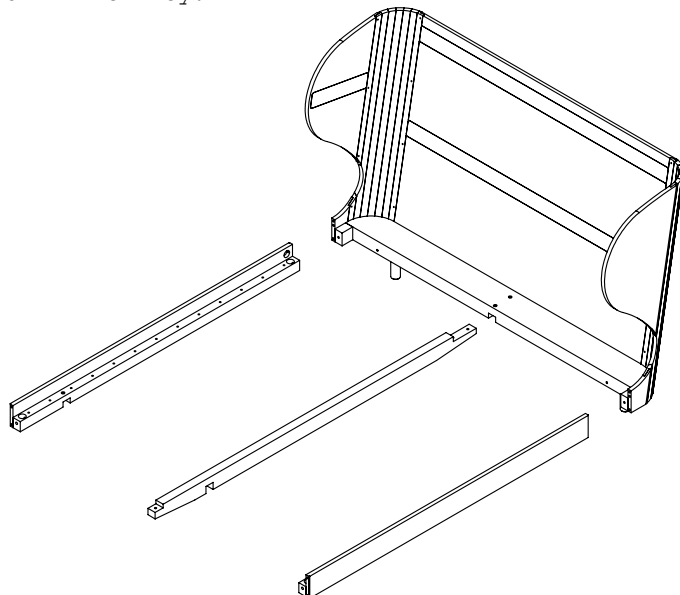
a) Make sure the universal connectors are orientated correctly. On the side with the recess for an Allen Key, align the arrow on the dial with the raised line marking on the perimeter.

b) Insert the universal connectors into the holes in the sidebeams ensuring that the raised line marking aligns parallel to the hole on the end of the beam.

c) Screw the metal dowels into the corresponding threaded inserts located on the headboard.

d) Connect the parts by guiding the metal dowels into the universal connectors, and the wooden dowels on sidebeams into the pre-drilled holes in the headboard. Insert a 6mm Allen Key into the universal connectors and tighten loosely.

e) Attach the central beam with 2x M8x 50mm bolts and tighten with a 5mm Allen Key.



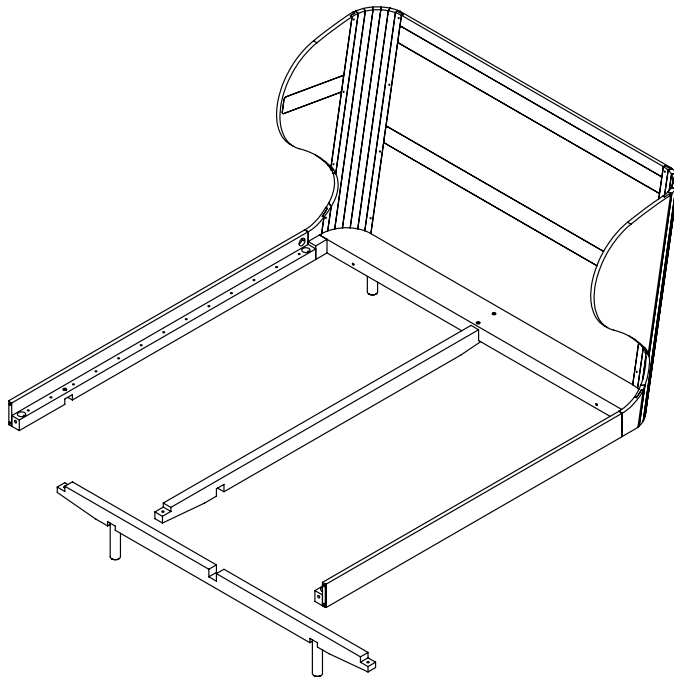
0  
2  
A  
U  
T  
O  
B  
A  
N

**ASSEMBLY INSTRUCTIONS CONTINUED**

SUITE BED

3. ATTACH THE CENTRAL BEAM TO THE 'CROSS BEAM WITH FEET'

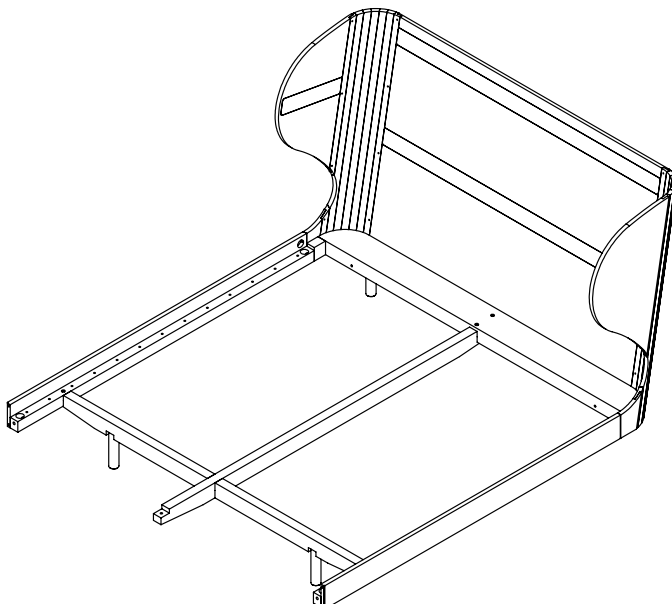
a) The two components connect where the recess in each is located. They engage with one another with no hardware required.



4. ATTACH THE 'CROSS BEAM WITH FEET' TO THE SIDEBEAMS.

a) Connect the recess on both ends of the 'cross beam with feet' to the recess on the under side of the sidebeams.

b) Insert 1 M8x35 bolt into pre-drilled holes on both sidebeams, locate the inserts on the side beam and tighten with a 5mm Allen Key.



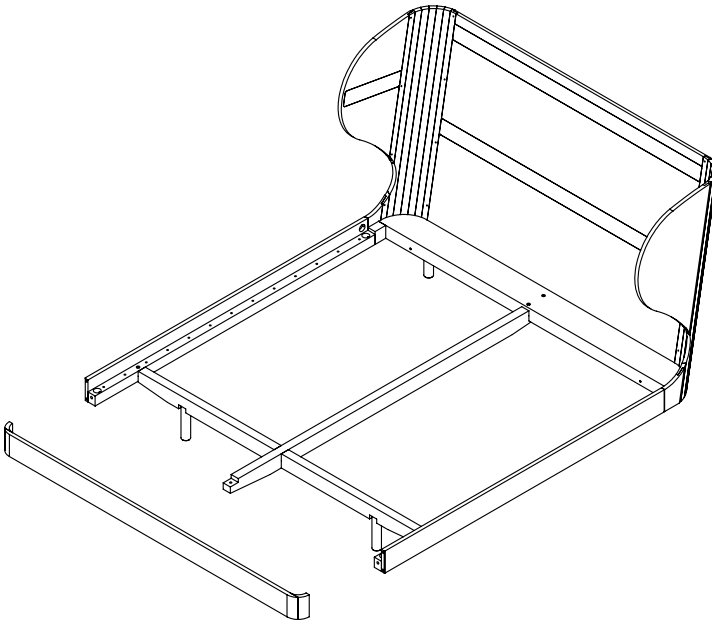
0  
3  
A  
U  
T  
O  
B  
A  
N

**ASSEMBLY INSTRUCTIONS CONTINUED**  
SUITE BED

5. CONNECT FOOTBOARD TO SIDEBEAMS

- a) Make sure the universal connectors are orientated correctly. On the side with the recess for an Allen Key, align the arrow on the dial with the raised line marking on the perimeter.
- b) Insert the universal connectors into the holes in the sidebeams ensuring that the raised line marking aligns parallel to the hole on the end of the beam.
- c) Screw the metal dowels into the corresponding threaded inserts located on the footboard.
- d) Connect the parts by guiding the metal dowels into the universal connectors, and the wooden dowels on sidebeams into the pre-drilled holes in the footboard. Insert a 6mm Allen Key into the universal connectors and tighten loosely.

0  
4  
A  
U  
F  
O  
B  
A  
N



6. CONNECT FOOTBOARD TO CENTRAL BEAM

- a) Insert 1 M8x35 bolt into the pre-drilled hole on the footboard, locate the insert on the central beam and tighten loosely with a 5mm Allen Key.

- b) Check alignment of all components- headboard, footboard, sidebeams and central beam, make adjustments where necessary, then tighten all connections firmly.

7. ATTACH THE TIMBER SLATS TO THE PLATFORM BASE

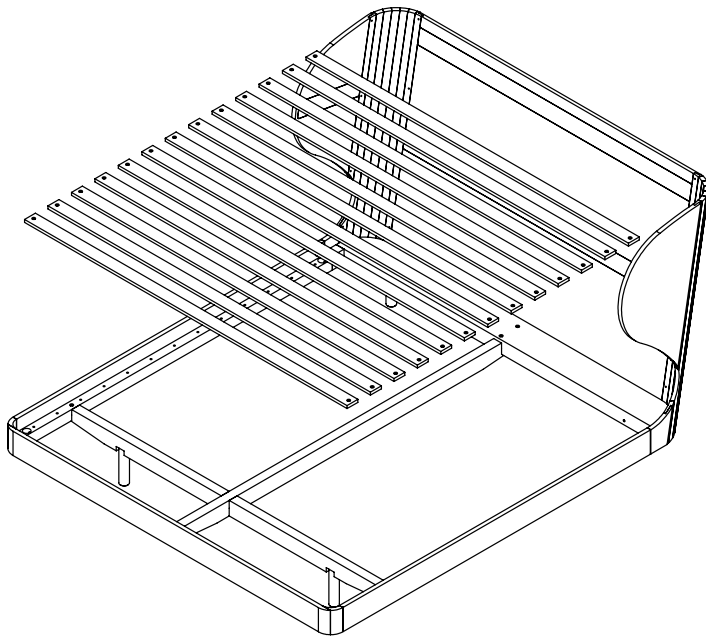
- a) Space out the bed slats so they are aligned with the corresponding holes on the timber lip on the inner face of the side beams. The underside of the each slat has a threaded sleeve fixed inside. If the sleeve drops out, there are spares

**ASSEMBLY INSTRUCTIONS CONTINUED**

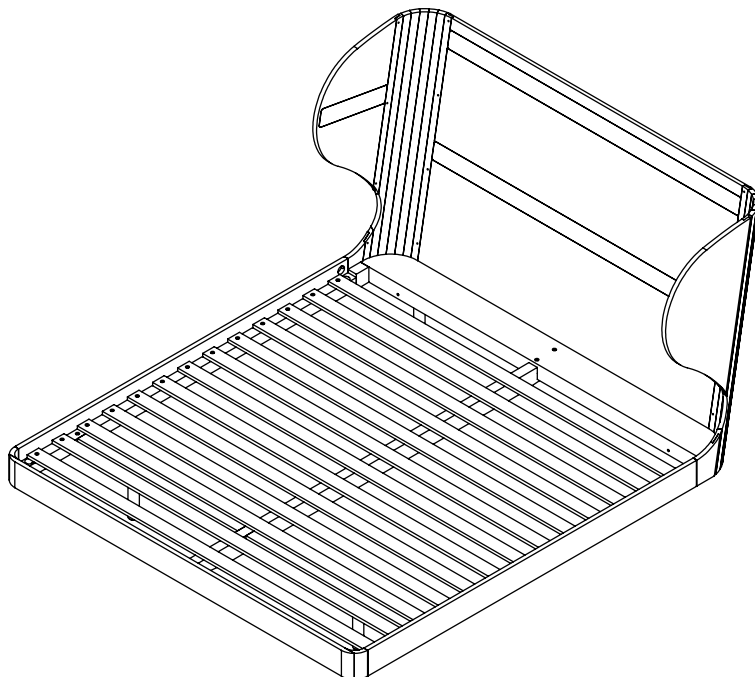
SUITE BED

you can use. The top of each slat has a recess for the washer.

b) Place a washer in the recess of each slat and insert a silver bolt through the slat and into the sidebeam. Using a cordless drill or socket set, tighten the bolts. Tighten the slats well, so they are not wobbly, but be very careful not to overtighten.



c) The bed assembly is now complete and the bed is ready to receive the mattress. Place the mattress over the bed slats so that it is centred and slats are completely covered.



0  
5  
A  
U  
T  
O  
B  
A  
N