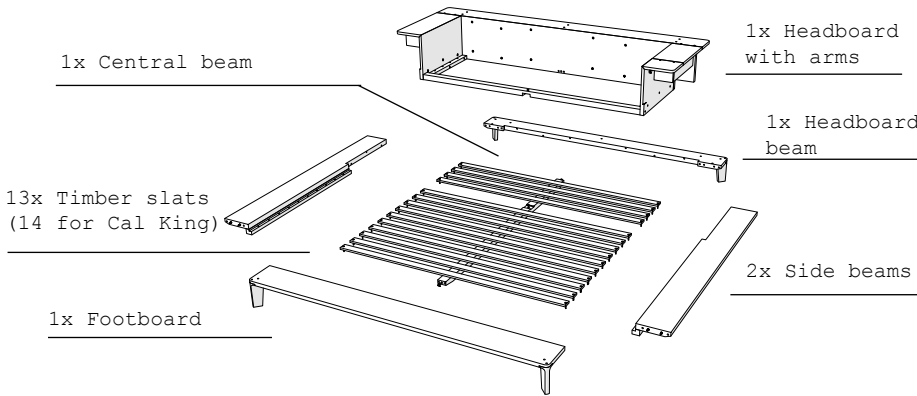


ASSEMBLY INSTRUCTIONS

PLATFORM BED BY NERI&HU

PARTS



HARDWARE

(8x) Universal connector

(8x) M8x40 Metal dowel



(13x) M8x45 bolts

(2x) M8x60 bolts



(26x) M5x45 bolts

(26x) M5x45 washers



YOU WILL NEED

- 8mm socket/ratchet set OR cordless drill with the appropriate attachment
- Phillips head screwdriver
- 6mm and 5mm Allen Key
- The help of a friend

NOTES

NOTE 1: Be certain that all assembly is carried out on a flat and stable surface. This will ensure a good final result. Reverse the steps to disassemble the piece.

NOTE 2: Your furniture arrives packed in numerous layers that protect it during transport. It is important that you remove the packaging carefully to avoid damaging your furniture. Refer to our information sheet "Unpacking Your Furniture" for further details.

NOTE 3: Great care is required when assembling our products . Use blankets to soften the assembly surface - hard surfaces such as wood or stone flooring may damage the furniture if in direct contact.

NOTE 4: We advise that assembly and disassembly of De La Espada furniture is undertaken by a minimum of 2 people.

ASSEMBLY INSTRUCTIONS CONTINUED
PLATFORM BED

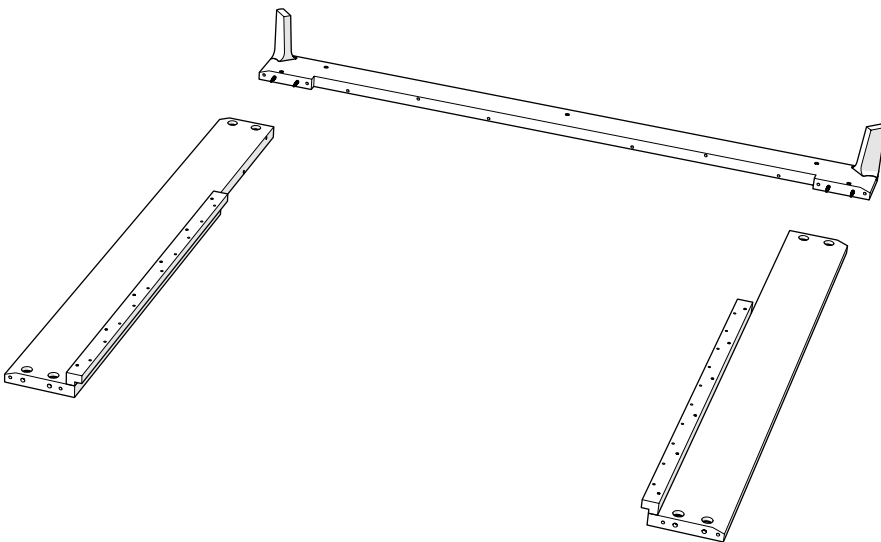
NOTE 5: When screwing in bolts, tighten well, but be sure NOT TO OVERTIGHTEN. This can cause the thread to strip thus resulting in a poor connection.

NOTE 6: All mating parts are numbered so they correspond to the appropriate part around the frame of the bed. you will ensure the best possible fit if all parts are mated with the corresponding numbered parts. While you work, be sure all connections are flush with no gaps.

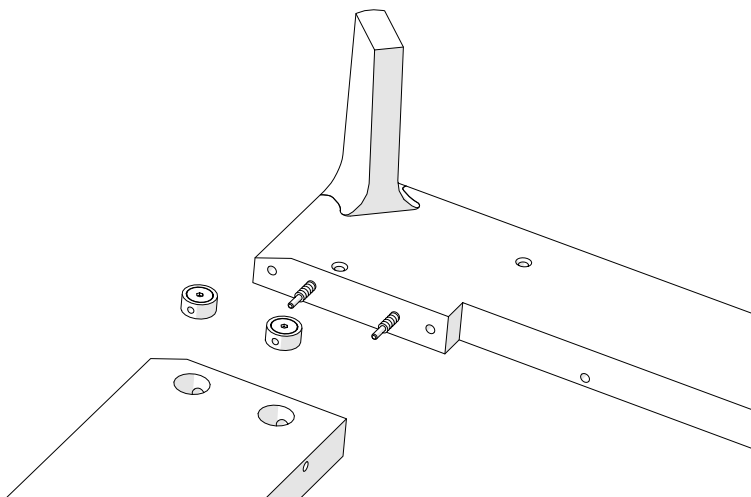
INSTRUCTIONS

1. ATTACH SIDEBEAMS TO HEADBOARD BEAM

a) Unpack components and lay them face down on the floor, so they are in the correct orientation. Check for number markings.



b) Insert metal dowels into the pre-drilled holes in the headboard beam, and insert Universal Connectors into the pre-drilled holes in the sidebeams. Feed the metal dowels through the Universal Connectors and tighten with a 6mm Allen Key.

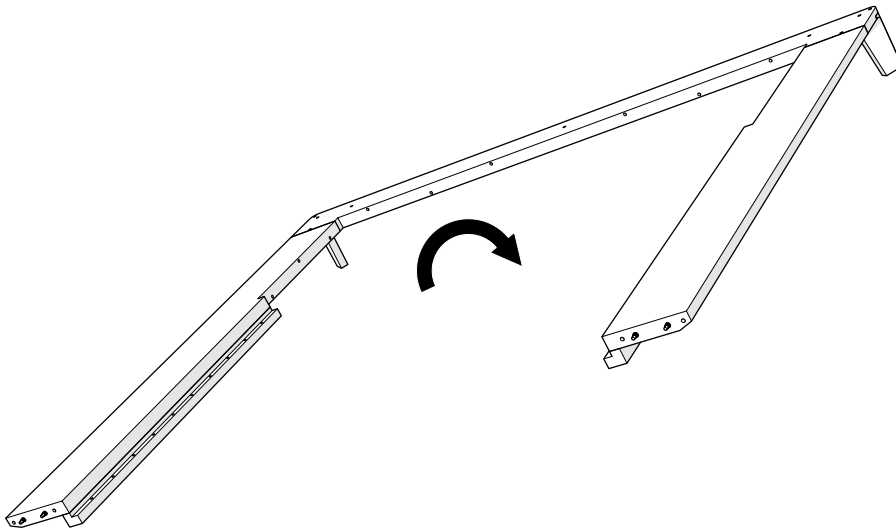


0
2
N
E
R
I
&
H
U

ASSEMBLY INSTRUCTIONS CONTINUED
PLATFORM BED

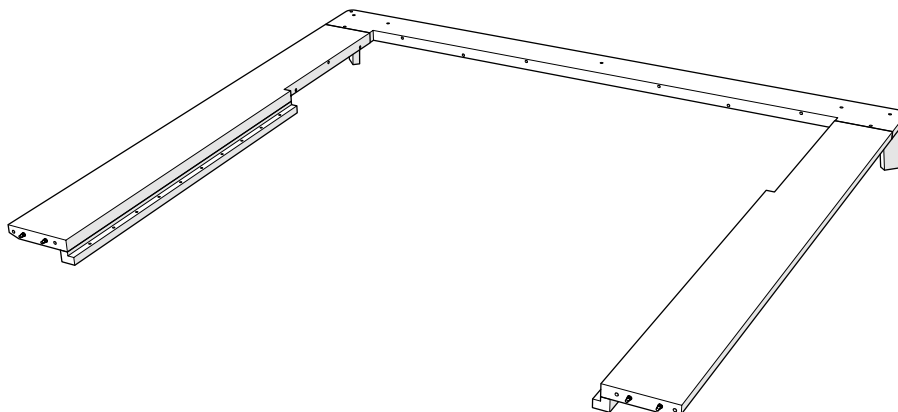
2. TURN THE FRAME INTO ITS NATURAL UPRIGHT POSITION

a) Turn the frame over into its natural position with the help of a friend. Be certain not to rest the frame on any individual leg whilst turning.



3. ATTACH THE HEADBOARD WITH ARMS TO THE FRAME

a) Locate the cutouts in the sidebeams where the headboard with arms will be placed.



0

3

N

E

R

I

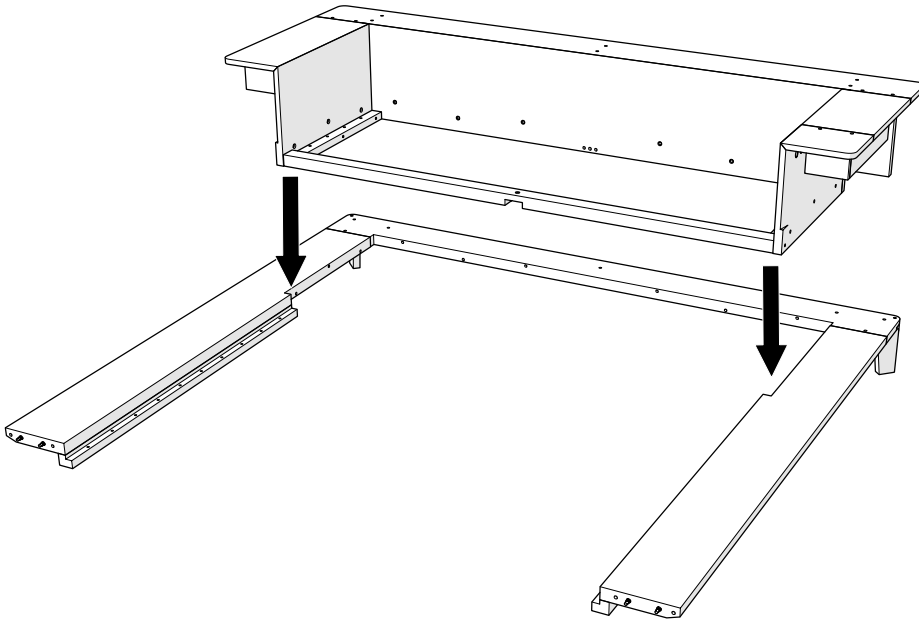
&

H

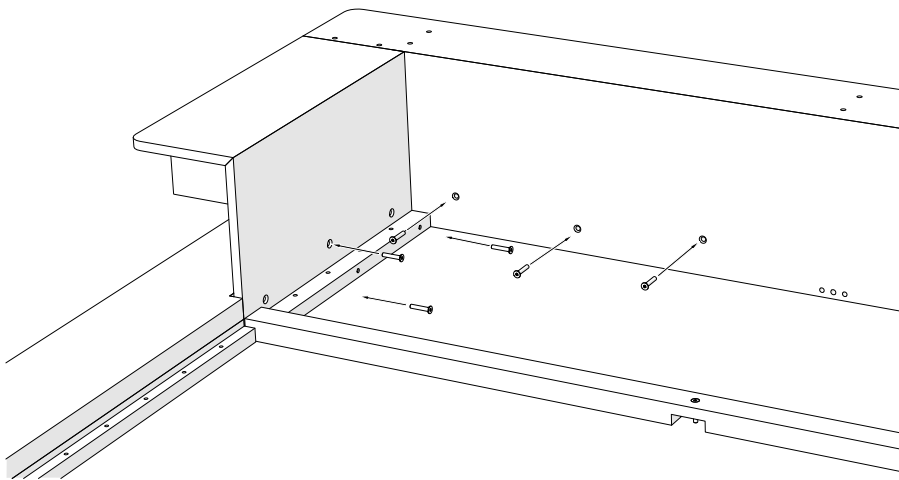
U

ASSEMBLY INSTRUCTIONS CONTINUED
PLATFORM BED

b) Insert the headboard with arms into the frame.



c) Insert M8x45 bolts into the 12 relevant pre-drilled holes in the headboard with arms. Tighten with an Allen Key.

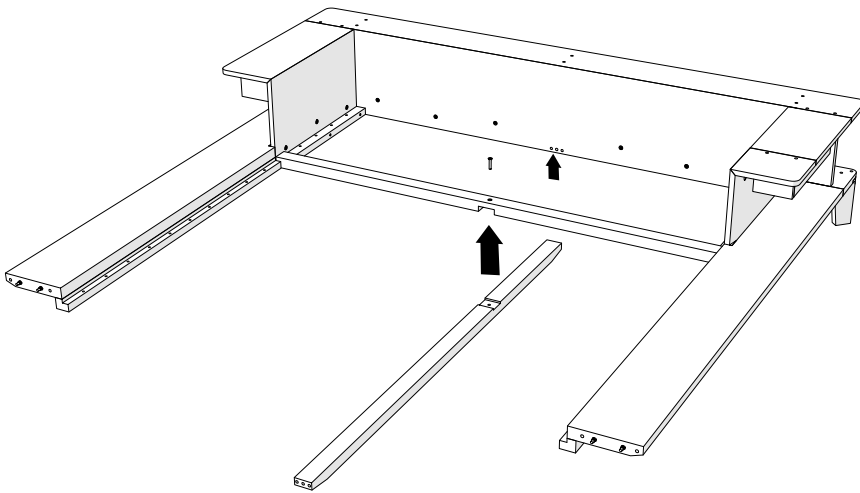


0
4
N
E
R
I
&
H
U

ASSEMBLY INSTRUCTIONS CONTINUED
PLATFORM BED

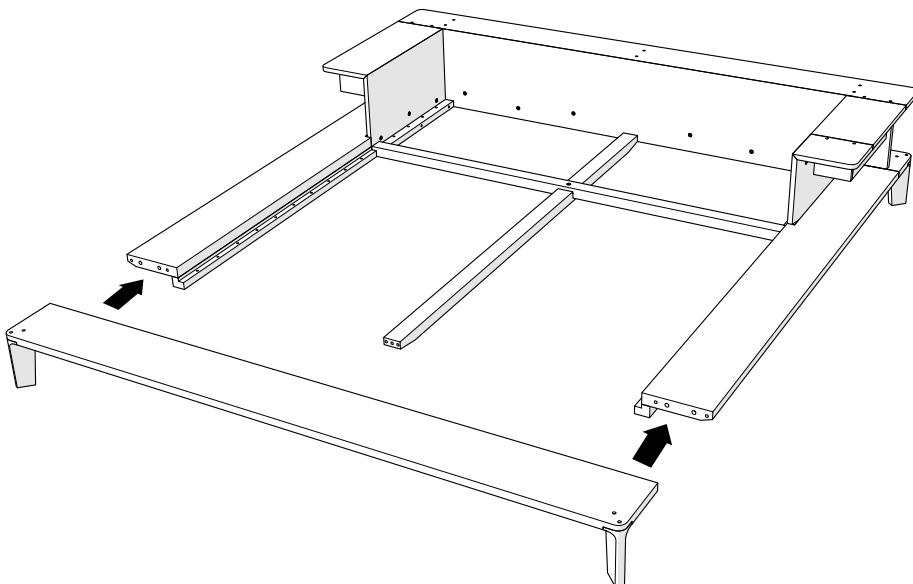
4. ATTACH CENTRAL BEAM

a) Place the central beam on the underside of the frame, fitting it into the cutout in the base of the headboard with arms. Insert a M8x45 bolt into the base of the headboard with arms and into the central beam as below. Tighten with an Allen Key.



5. ATTACH FOOTBOARD

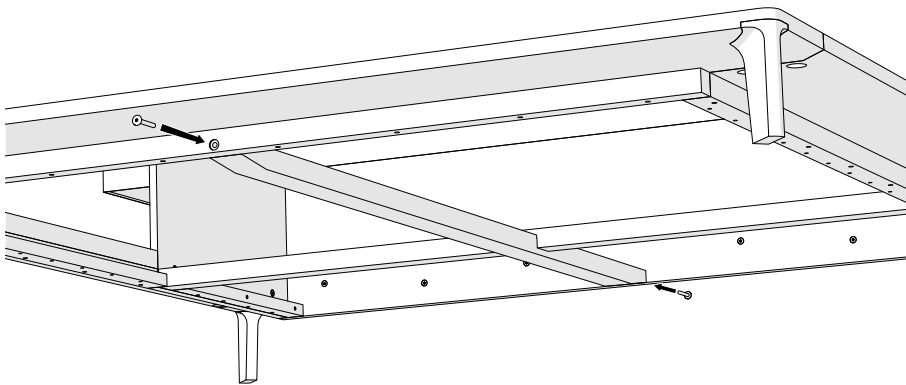
a) Insert metal dowels into the pre-drilled holes in the footboard, and insert Universal Connectors into the pre-drilled holes in the sidebeams. Feed the metal dowels through the Universal Connectors, while feeding the dowels in the central beam through the corresponding holes in the footboard. Tighten the Universal Connectors with a 6mm Allen Key.



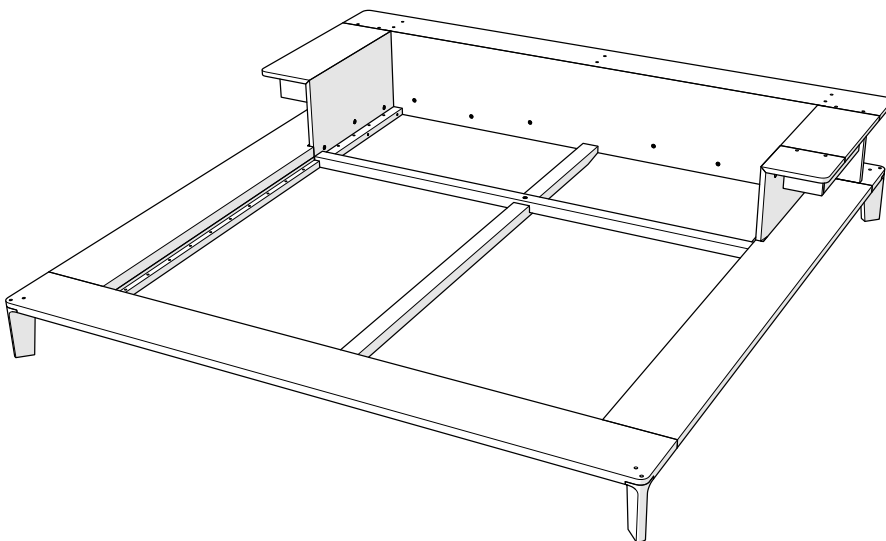
0
5
N
E
R
I
&
H
U

ASSEMBLY INSTRUCTIONS CONTINUED
PLATFORM BED

b) Make sure the central beam is aligned with the holes in the footboard and headboard beam. Insert an M8x60 bolt into the end of each, and tighten with an Allen Key.



c) The frame should now look like this.



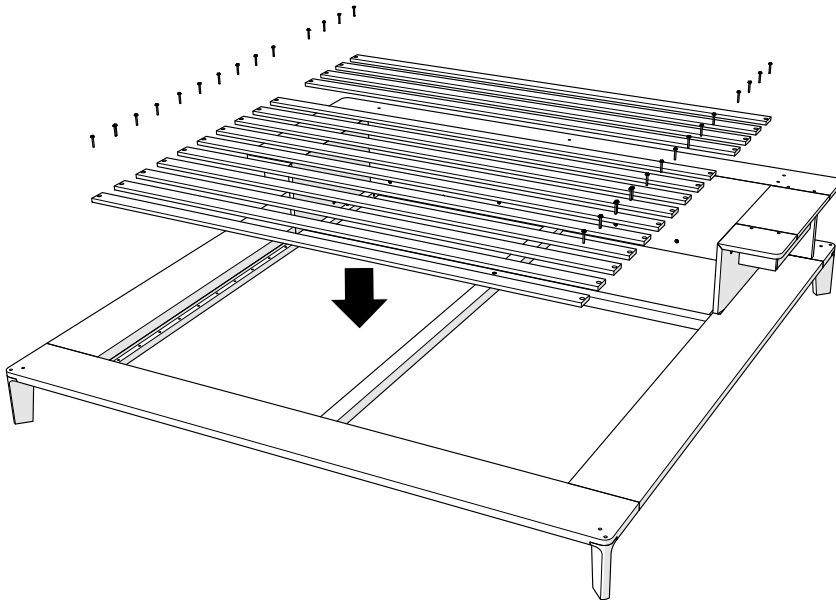
0
6
N
E
R
I
&
H
U

ASSEMBLY INSTRUCTIONS CONTINUED
PLATFORM BED

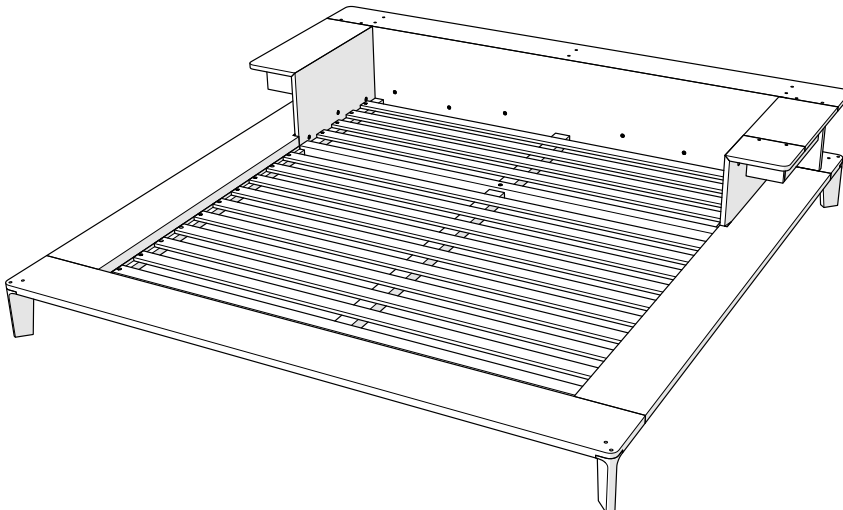
6. ATTACH THE TIMBER SLATS TO THE PLATFORM BASE

a) Space out the bed slats so they are aligned with the corresponding holes on the timber lip on the inner face of the side beams. The underside of the each slat has a threaded sleeve fixed inside. If the sleeve drops out, there are spares you can use. The top of each slat has a recess for the washer.

b) Place a washer in the recess of each slat and insert an M5x45 bolt through the slat and into the sidebeam. Using a cordless drill or socket set, tighten the bolts. Tighten the slats well, so they are not wobbly, but be very careful not to overtighten.



c) Assembly is now complete and bed is ready to receive a mattress.



0
7
N
E
R
I
&
H
U