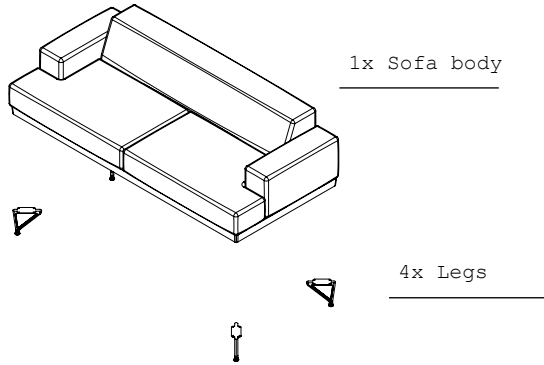


**ASSEMBLY INSTRUCTIONS**

ARMSTRONG SOFA BY MATTHEW HILTON

PARTS



HARDWARE

16x M6x25 bolts



YOU WILL NEED

5mm heavy duty Allen Key  
The help of a friend

NOTES

NOTE 1: Be certain that all assembly is carried out on a flat and stable surface. This will ensure a good final result. Reverse the steps to disassemble the piece.

NOTE 2: Your furniture arrives packed in numerous layers that protect it during transport. It is important that you remove the packaging carefully to avoid damaging your furniture. Refer to our information sheet "Unpacking Your Furniture" for further details.

NOTE 3: Great care is required when assembling our products . Use blankets to soften the assembly surface - hard surfaces such as wood or stone flooring may damage the furniture if in direct contact.

NOTE 4: We advise that assembly and disassembly of De La Espada furniture is undertaken by a minimum of 2 people.

NOTE 5: When screwing in bolts, tighten well, but be sure NOT TO OVERTIGHTEN. This can cause the thread to strip thus resulting in a poor connection.

NOTE 6: While you work, be sure all connections are flush with no gaps.

O  
1  
M  
A  
T  
T  
H  
E  
W  
W  
H  
I  
L  
T  
O  
N

**ASSEMBLY INSTRUCTIONS CONTINUED**

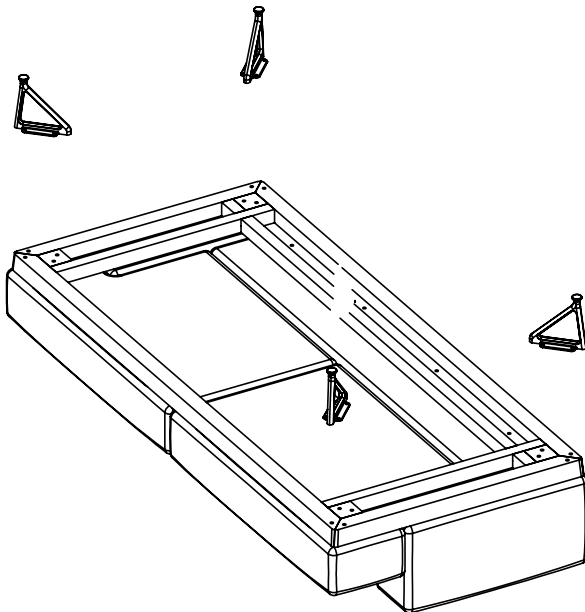
**ARMSTRONG SOFA**

1) ATTACH FEET

a) Place the sofa body face down on a soft blanket on the floor.

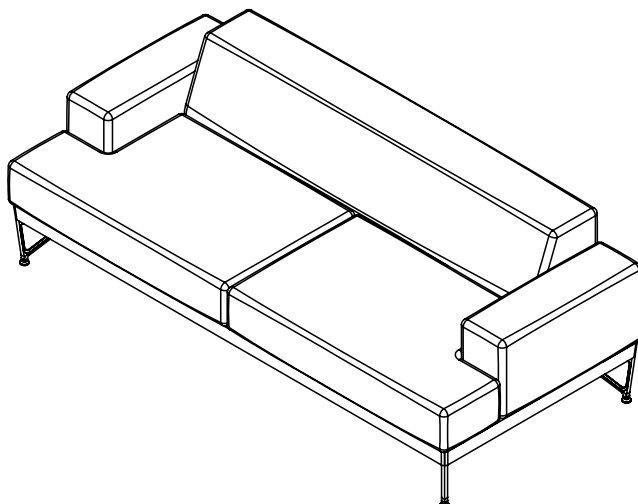
b) Locate the pre-drilled holes on the underside of the sofa body.

c) Place one of the feet against the underside of the sofa body, aligning the holes in each component. Insert an M6x25 bolt into each hole and tighten firmly with a 5mm Allen Key. Be careful not to overtighten. Repeat for each foot until complete.



2) TURN THE SOFA INTO AN UPRIGHT POSITON

a) With the help of a friend, turn the sofa so it is in a natural upright position. Be careful to avoid allowing the sofa to rest on one or two legs while turning as this may damage the connection. The sofa is now ready for use.



0  
2  
M  
A  
T  
T  
H  
E  
W  
H  
I  
L  
E  
I  
O  
N