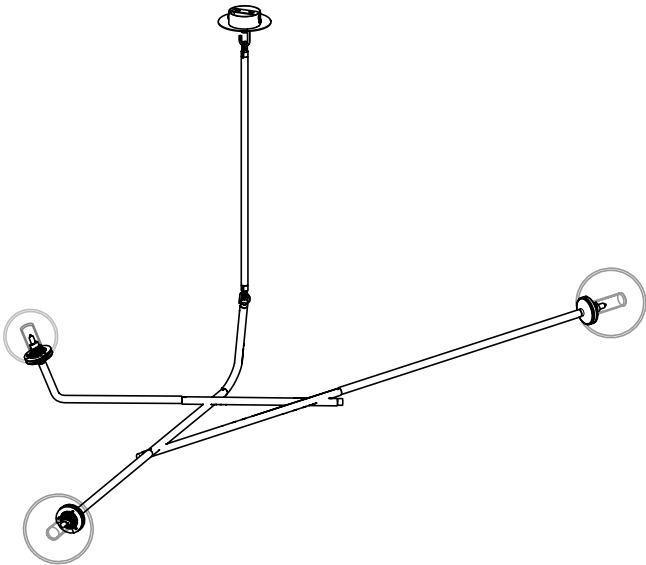


**INSTALLATION INSTRUCTIONS**

LATTICE BY NERI&HU



O  
1  
N  
E  
R  
I  
&  
H  
U

PARTS

- 1x Chandelier
- 2X Large Glass Globes
- 1x Small glass globe
- 2x Long glass tubes
- 1x Short glass tube

YOU WILL NEED

- Appropriate hardware for attaching the lamp to your specific ceiling
- Phillips head screwdriver
- An electrical screwdriver
- A professional electrician
- The help of a friend

NOTES

NOTE 1: Installation should only be performed by a professional electrician. All power must be turned off during installation.

NOTE 2: Your product arrives packed in numerous layers that protect it during transport. It is important that you remove the packaging carefully to avoid damaging your furniture. Refer to our information sheet 'Unpacking Your Furniture' for further details.

NOTE 3: Great care is required when assembling our products as they can mark very easily if banged or dropped. Use blankets to soften the assembly surface.

NOTE 4: We advise that assembly and disassembly is undertaken by a minimum of 2 people and that one person is supporting the lamp body at all times during installation.

NOTE 5: When screwing in bolts, tighten well but be sure NOT TO OVERTIGHTEN.

**INSTALLATION INSTRUCTIONS**

LATTICE BY NERI&HU

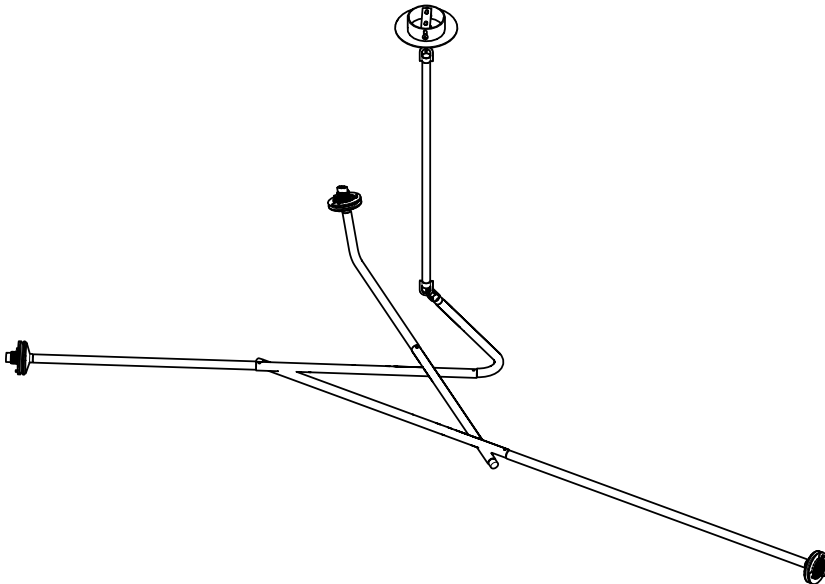
**IMPORTANT! ALWAYS USE GLOVES WHEN HANDLING BRASS PRODUCTS.**

Our brass is uncoated to embrace the natural patina that will develop over time. Never handle brass with your bare hands, as the oils in your skin will cause the surface to oxidise more quickly in the areas you touch, highlighting your finger prints. If you ordered your product in brass, you will find white gloves in the supplied hardware box.

INSTRUCTIONS

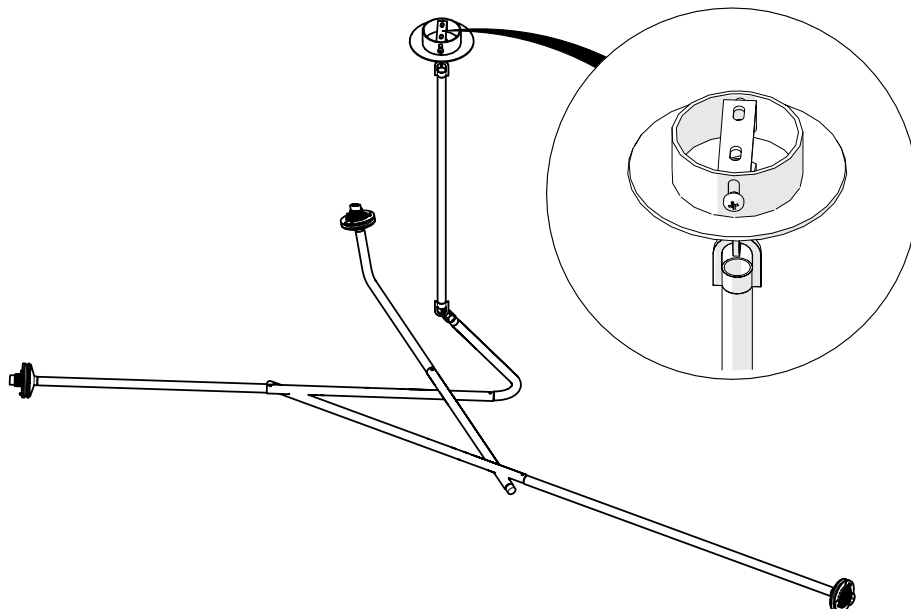
1) UNPACK THE CHANDELIER

a) Lattice is wrapped in a cardboard frame secured with cable ties. Using scissors, carefully cut the cable ties then remove the chandelier from the cardboard.



2) ATTACH THE CHANDELIER TO THE CEILING

a) Locate the anchor plate and ceiling rose

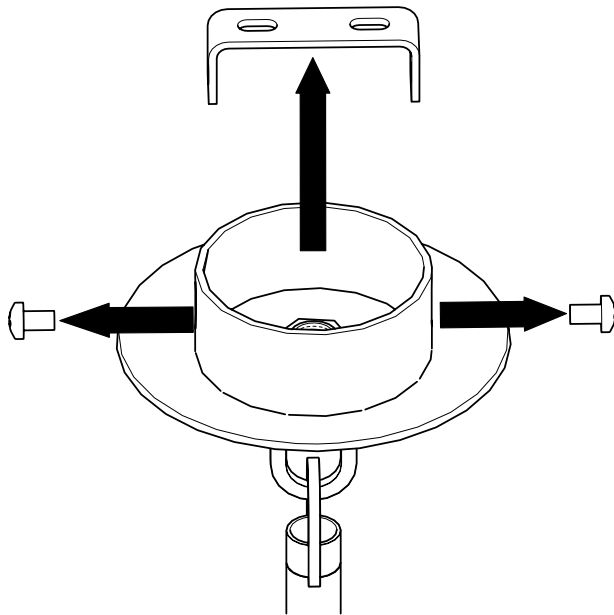


0  
2  
N  
E  
R  
I  
&  
H  
U

**INSTALLATION INSTRUCTIONS**

LATTICE BY NERI&HU

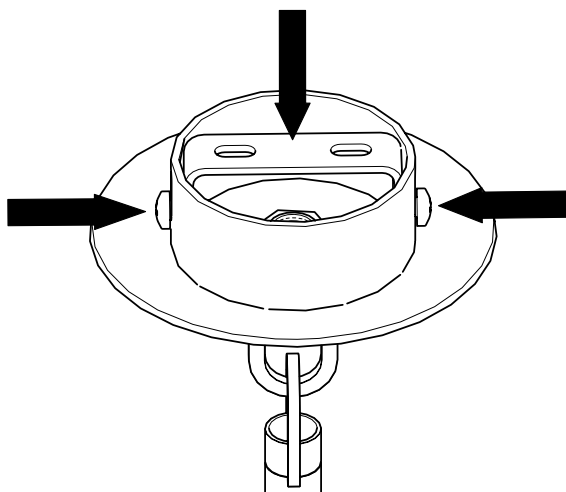
b) Using a Phillips head screwdriver, release the anchor plate by removing the screws from either side of the ceiling rose.



c) Attach the anchor plate to the ceiling using appropriate fixings, while having the electrical feed ready to connect.

d) Once the anchor plate is mounted in place, proceed with the connection of the wires to the mains electrical feed. Have a friend support the body of the chandelier while you perform the wiring.

e) While a friend supports the chandelier, push the ceiling rose shroud around the anchor plate and align the holes. Place the two screws back in place and tighten securely.



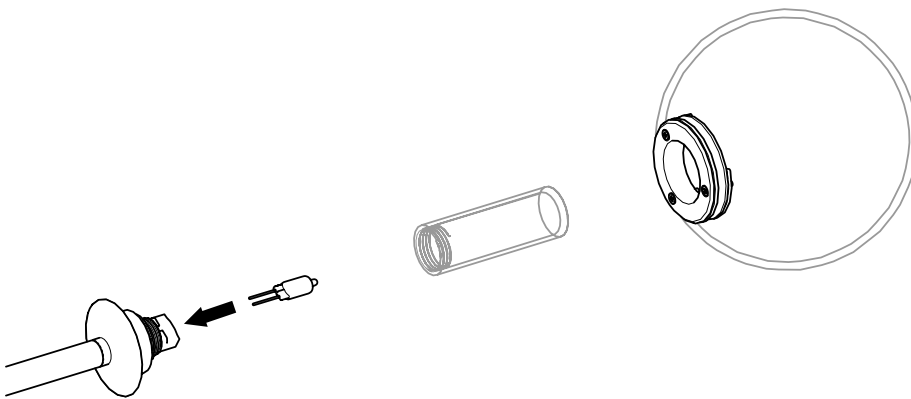
0  
3  
N  
E  
R  
I  
&  
H  
U

**INSTALLATION INSTRUCTIONS**

LATTICE BY NERI&HU

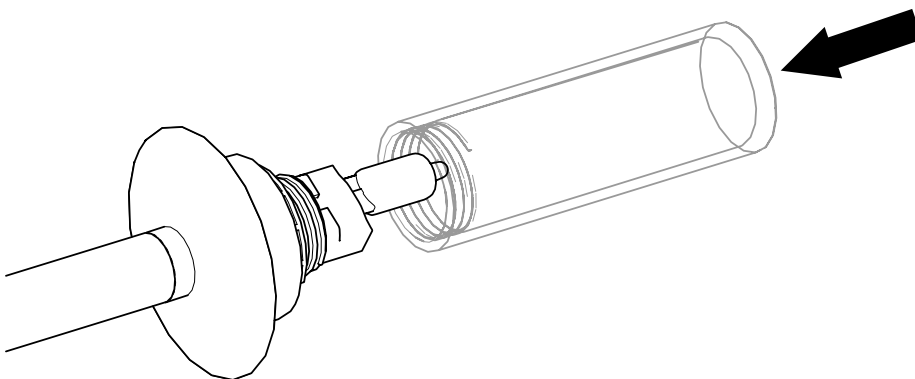
3) ATTACH GLASS GLOBES

a) Locate the bent arm on the chandelier. This is where the small globe is intended to be placed.



b) Carefully place a G9 Eco halogen bulb into the bulb holder on the bent arm.

c) Place the short glass tube over the bulb and screw carefully onto the threading.

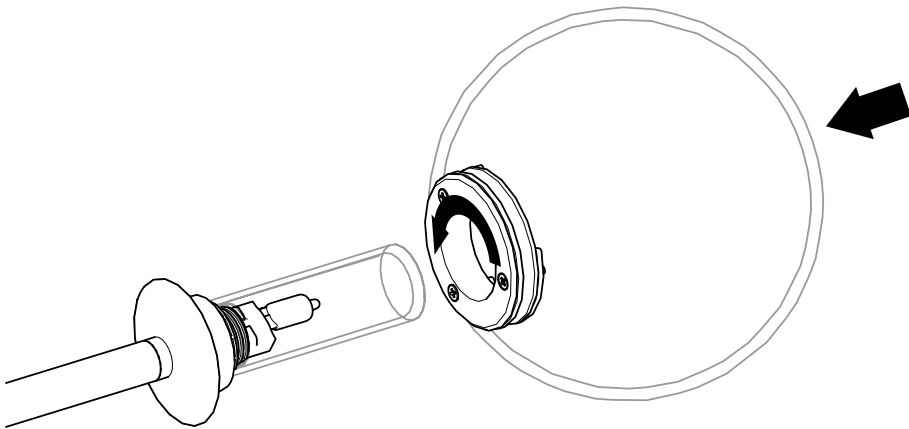


0  
4  
N  
E  
R  
I  
&  
H  
U

**INSTALLATION INSTRUCTIONS**

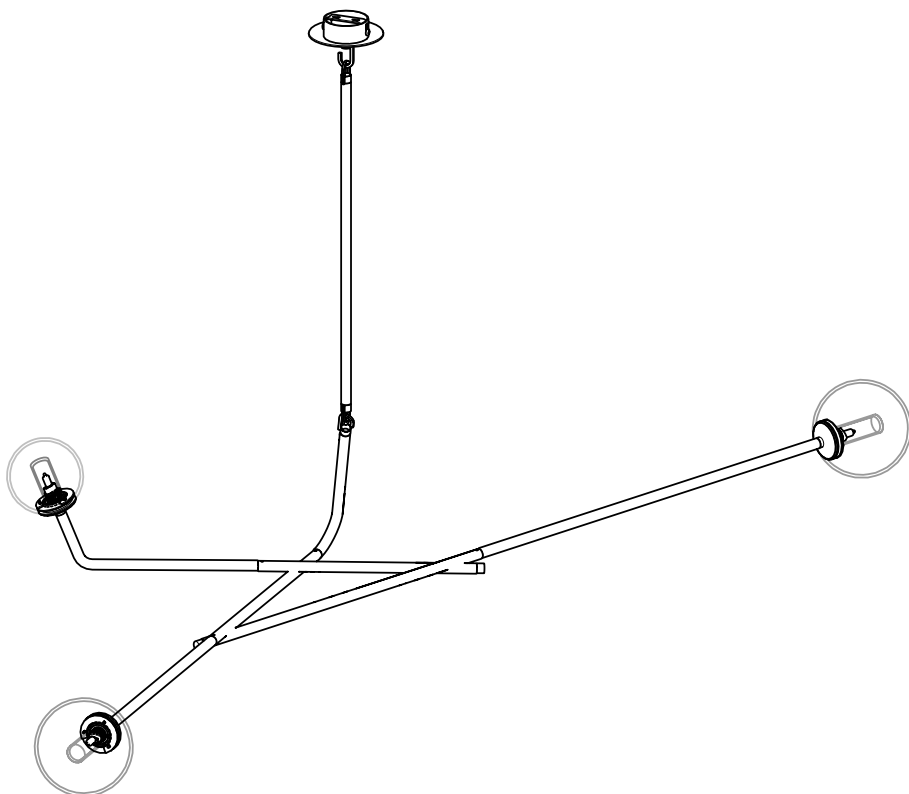
LATTICE BY NERI&HU

d) Place the small globe over the glass tube, carefully engage the threading on the globe with that on the arm, and screw into position.



e) Repeat the above process to for the other two chandelier arms.

f) The assembly is now complete.



0  
5  
N  
E  
R  
I  
&  
H  
U