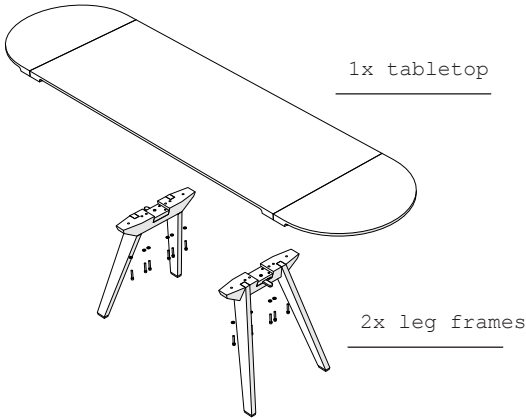


**ASSEMBLY INSTRUCTIONS**

TOGETHER TABLE BY STUDIOILSE

PARTS



HARDWARE

(12x) M8x50 bolts

(12x) washers



YOU WILL NEED

5mm Allen Key

The help of a partner

NOTES

NOTE 1: Be certain that all assembly is carried out on a flat and stable surface. This will ensure a good final result. Reverse the steps to disassemble the piece.

NOTE 2: Your furniture arrives packed in numerous layers that protect it during transport. It is important that you remove the packaging carefully to avoid damaging your furniture. Refer to our information sheet "Unpacking Your Furniture" for further details.

NOTE 3: Great care is required when assembling our products as they can mark easily if banged or dropped. Use blankets to soften the assembly surface - hard surfaces such as wood or stone flooring may damage the furniture if in direct contact.

NOTE 4: We advise that assembly and disassembly of De La Espada furniture is undertaken by a minimum of 2 people.

NOTE 5: When screwing in bolts, tighten well, but be sure NOT TO OVERTIGHTEN. This can cause the thread to strip thus resulting in a poor connection.

NOTE 6: All mating parts are numbered. You will ensure the best possible fit if all parts are mated with the corresponding numbered parts.

NOTE 7: On the extending version, the tabletop has moveable parts. It is best to leave the tabletop wrapped in its bubble wrap, removing only that which is required to perform the assembly, until the table is fully assembled and in the upright position.

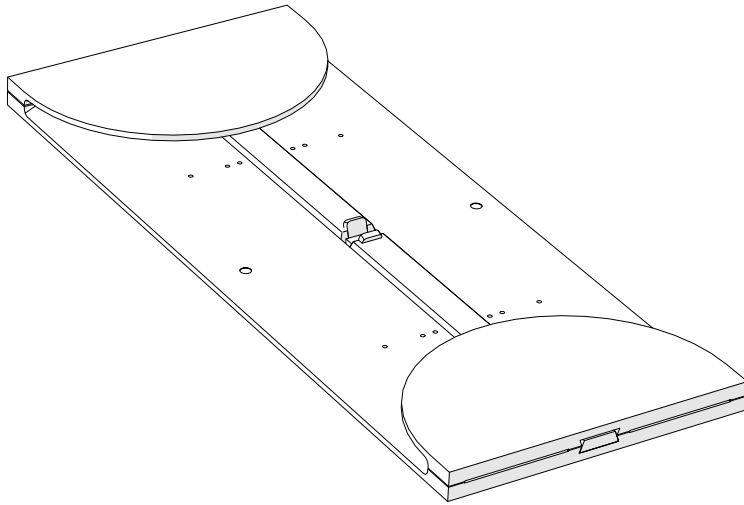
O  
1  
S  
T  
U  
D  
I  
O  
I  
L  
S  
E

**ASSEMBLY INSTRUCTIONS CONTINUED**  
**TOGETHER TABLE**

INSTRUCTIONS

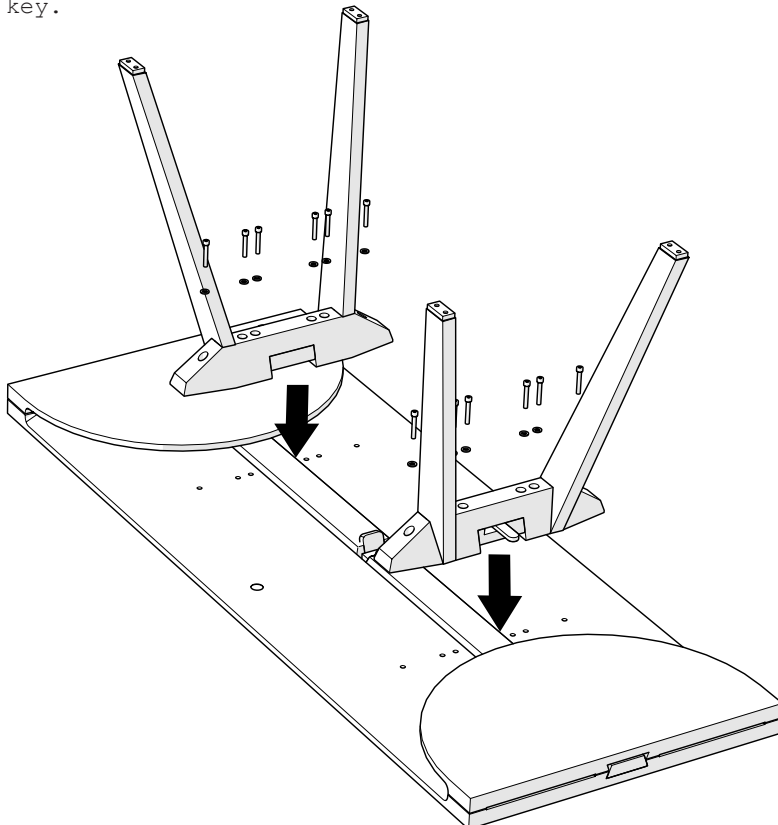
1. PREPARE THE TABLETOP

a) Place the tabletop face down onto the floor, the belly of the table facing upwards, and the bubble wrap still in place. Remove enough bubble wrap from the belly of the tabletop to reveal the pre-drilled holes.



2. ATTACH THE LEG FRAMES

a) Take one leg frame, turn it upside down, and align the holes with those on the belly of the tabletop. Make sure that the numbers on both components match to ensure a good fit. Insert a bolt into each of the six holes and tighten firmly with a 5mm Allen key.



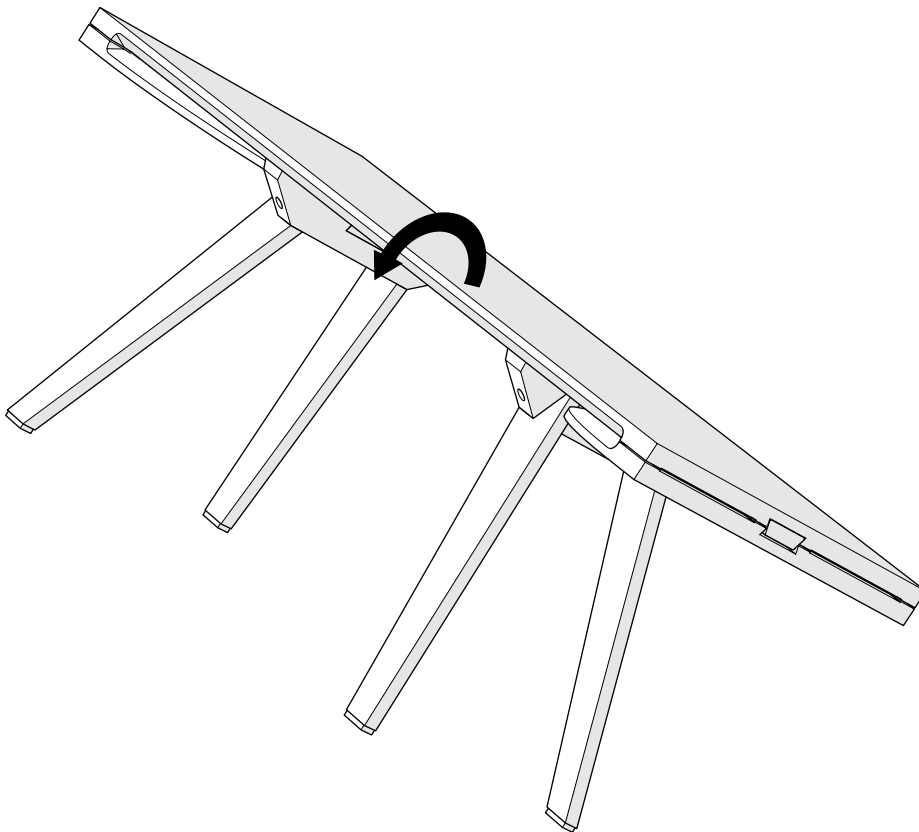
0  
2  
S  
H  
U  
D  
I  
O  
I  
L  
S  
E

**ASSEMBLY INSTRUCTIONS CONTINUED**  
**TOGETHER TABLE**

b) Repeat the above process to attach the second leg frame.

**3. PREPARE THE TABLE FOR USE**

a) With the help of a partner, flip the table into its natural upright position. Please ensure that the table is not rested on two legs as it is flipped over as this may cause damage to the table. Be aware of the moving parts while flipping the table, being careful to prevent movement and thus avoiding damage to the parts.



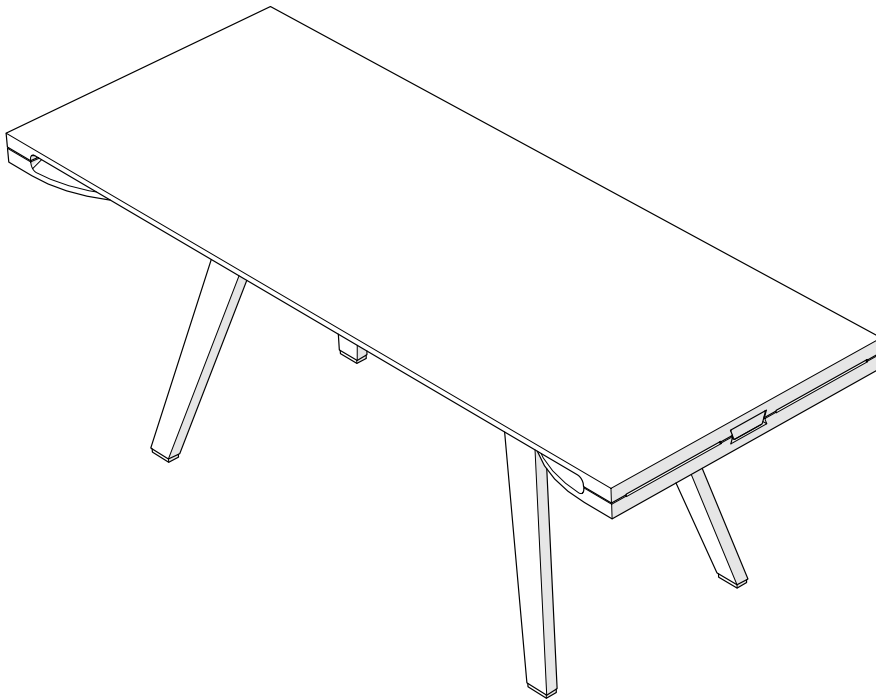
b) Remove the remaining bubble wrap from the table.

0  
3  
S  
T  
U  
D  
I  
O  
I  
L  
S  
E

**ASSEMBLY INSTRUCTIONS CONTINUED**

TOGETHER TABLE

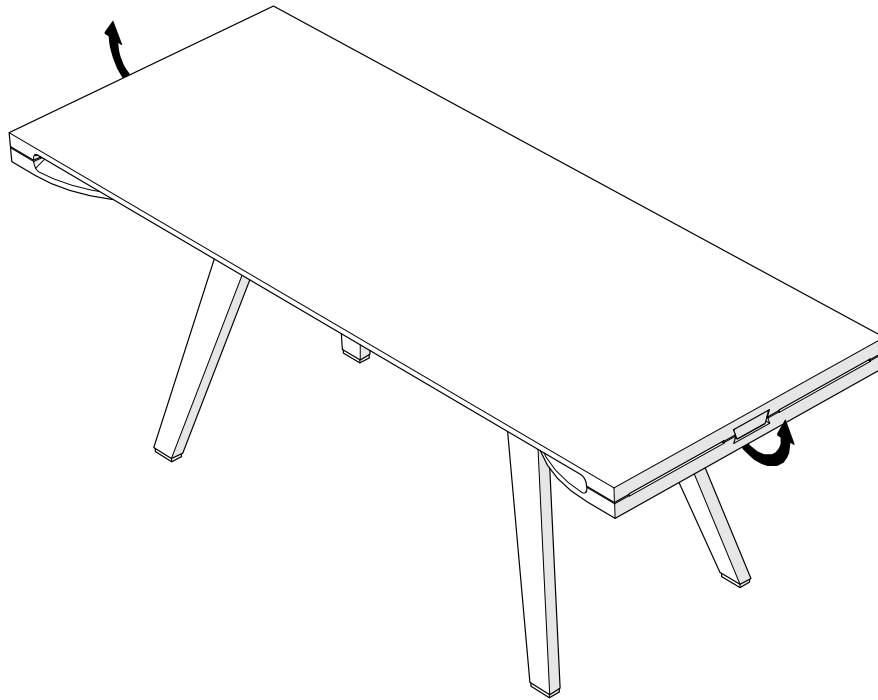
c) The table assembly is now complete and the table is ready for use.



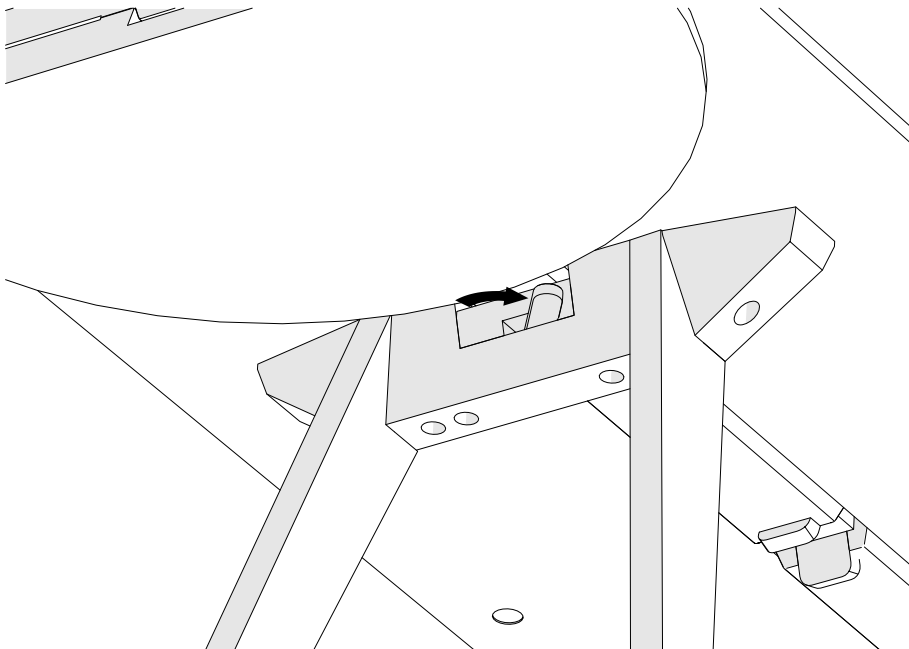
0  
4  
S  
H  
U  
D  
I  
O  
I  
L  
S  
E

**HOW TO PERFORM EXTENDING FUNCTION**  
**TOGETHER EXTENDING TABLE**

The hinged extension leaves are secured underneath the table-top. To extend the table, perform the following steps.



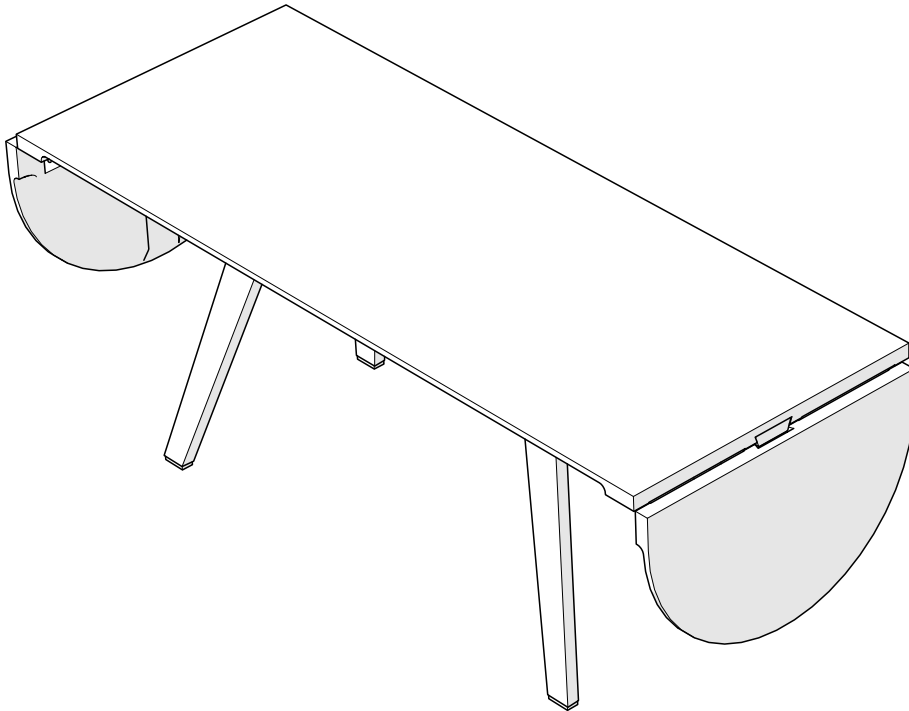
a) First, release the leaves by sliding the copper locking mechanism to the side, while supporting the leaf.



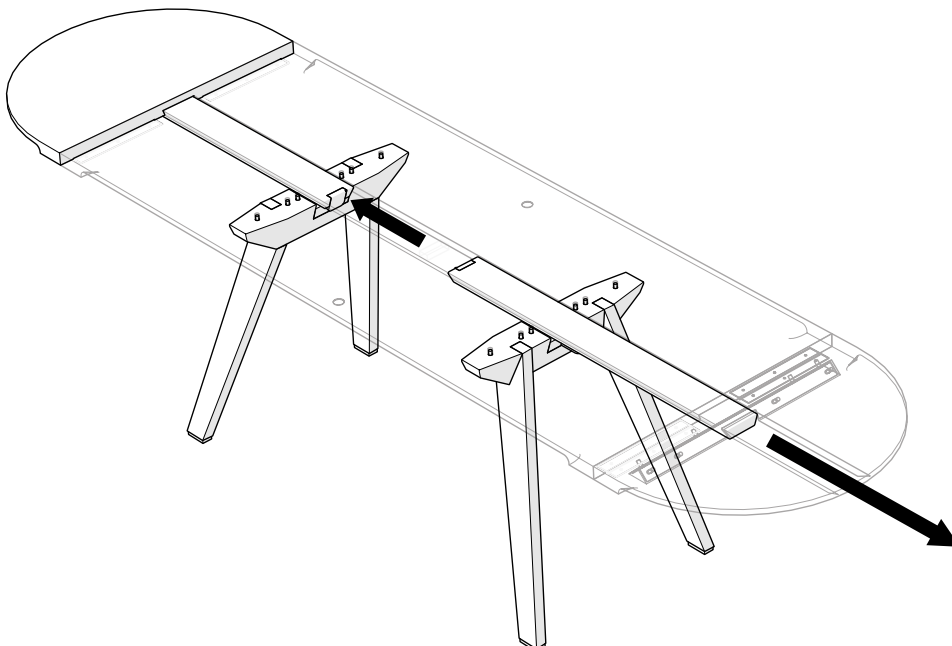
0  
5  
S  
H  
U  
D  
I  
O  
I  
L  
S  
E

**HOW TO PERFORM EXTENDING FUNCTION CONTINUED**  
**TOGETHER EXTENDING TABLE**

b) Gently guide each leaf downward.



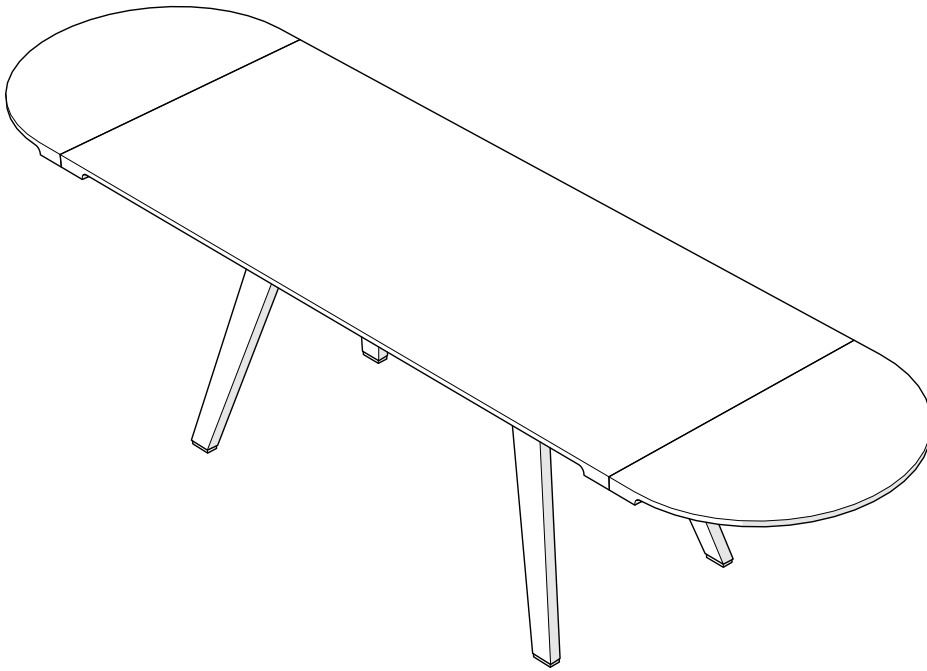
c) There are two extension bars on the underside of the table - one for each leaf. Locate each extension bar and pull it out with one hand whilst lifting the extension leaf with your other hand. Make sure you fully extend the bar. The extension leaf will rest on the extended bar.



0  
6  
S  
H  
U  
D  
I  
O  
H  
I  
S  
I  
E

**HOW TO PERFORM EXTENDING FUNCTION CONTINUED**  
**TOGETHER EXTENDING TABLE**

d) Your table is now extended and ready for use.



0  
7  
S  
H  
U  
D  
H  
O  
H  
L  
S  
E