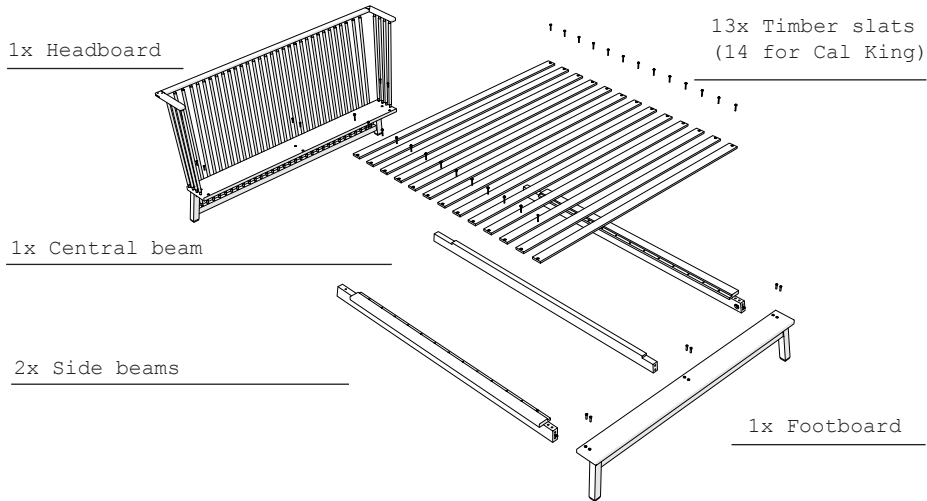


**ASSEMBLY INSTRUCTIONS**

**COMPANIONS BED BY STUDIOILSE**

**PARTS**



**HARDWARE**

- (4x) Universal connector                      (4x) M8x40 Metal dowel



- (12x) M8x30 bolts                              (26x) M5 bolts



- (26x) M5 washers



**YOU WILL NEED**

- 5mm socket/ratchet set OR cordless drill with the appropriate attachment
- 8mm Allen Key
- The help of a friend

**NOTES**

NOTE 1: Be certain that all assembly is carried out on a flat and stable surface. This will ensure a good final result. Reverse the steps to disassemble the piece.

NOTE 2: Your furniture arrives packed in numerous layers that protect it during transport. It is important that you remove the packaging carefully to avoid damaging your furniture. Refer to our information sheet "Unpacking Your Furniture" for further details.

NOTE 3: Great care is required when assembling our products . Use blankets to soften the assembly surface - hard surfaces such as wood or stone flooring may damage the furniture if in direct contact.

NOTE 4: We advise that assembly and disassembly of De La Espada furniture is undertaken by a minimum of 2 people.

**ASSEMBLY INSTRUCTIONS CONTINUED**

COMPANIONS BED

NOTE 5: When screwing in bolts, tighten well, but be sure NOT TO OVERTIGHTEN. This can cause the thread to strip thus resulting in a poor connection.

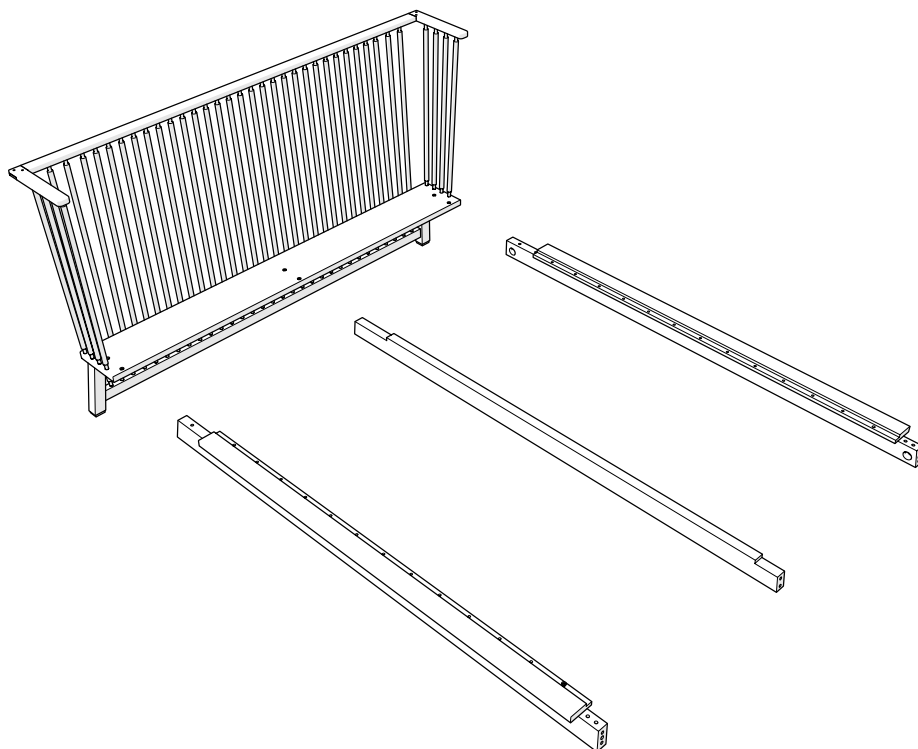
NOTE 6: All mating parts are numbered so they correspond to the appropriate part around the frame of the bed. you will ensure the best possible fit if all parts are mated with the corresponding numbered parts. While you work, be sure all connections are flush with no gaps.

INSTRUCTIONS

1. ATTACH HEADBOARD TO CENTRAL BEAM AND SIDEBEAMS

a) Unpack components and lay them out so they are in the correct orientation. Check for number markings.

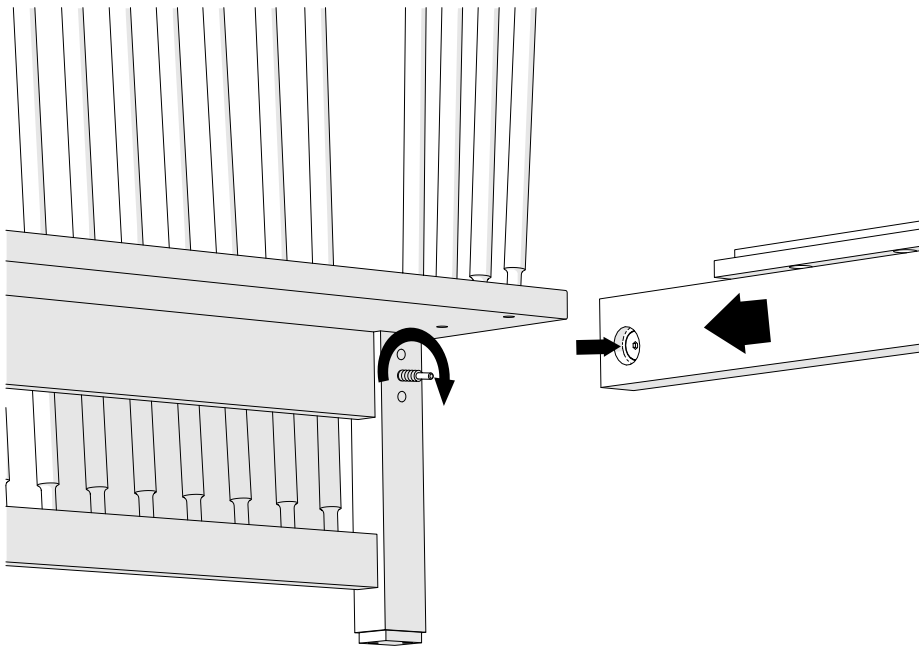
b) Place cutout of central beam onto the cutout on the headbeam, by slotting the wooden dowels into the corresponding holes.



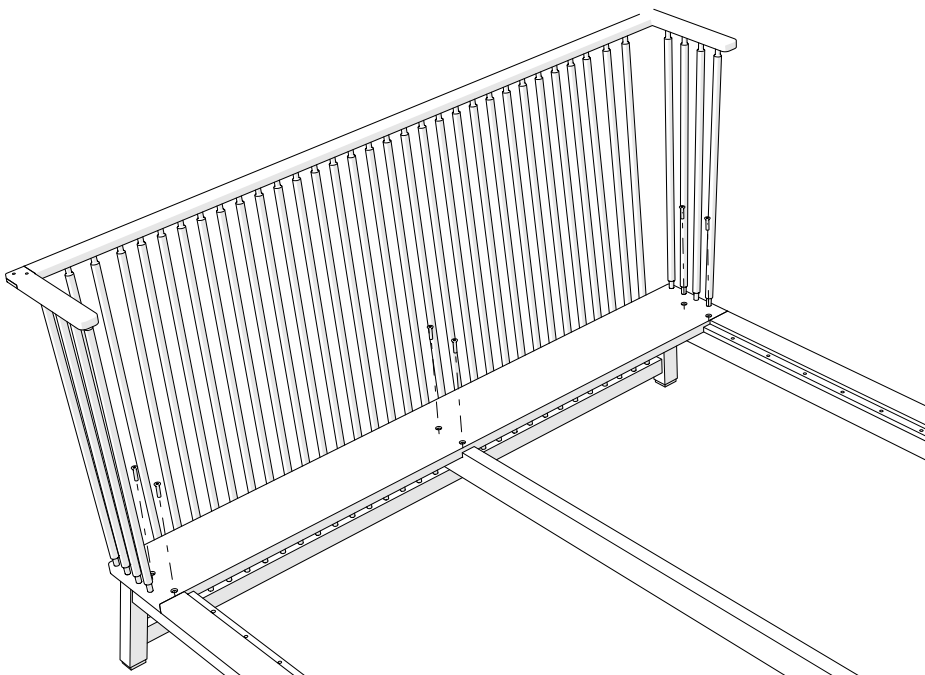
0  
2  
S  
F  
U  
D  
I  
O  
I  
I  
S  
E

**ASSEMBLY INSTRUCTIONS CONTINUED**  
**COMPANIONS BED**

c) Insert a Universal Connector into the rebate in the headboard end of one sidebeam, and place a metal dowel into the corresponding pre-drilled hole in the headboard. Guide the metal dowel into the Universal Connector and tighten firmly with an Allen Key. Repeat this procedure for the second sidebeam.



e) Insert 2x M8x30 bolts into the headboard base at each connection point and tighten with an Allen Key.

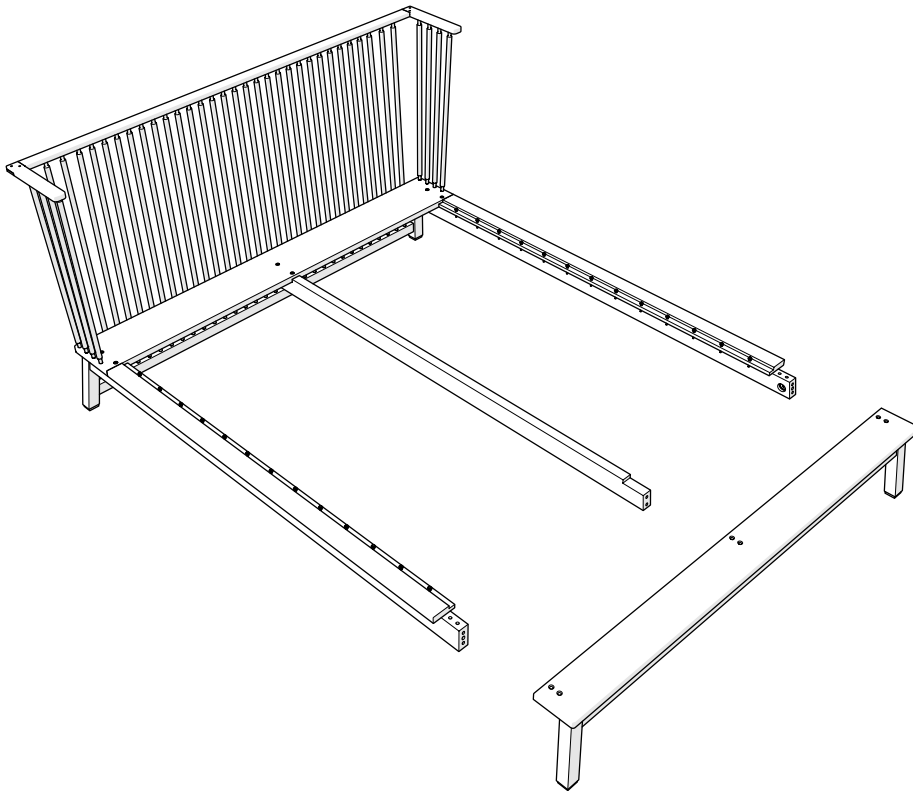


0  
3  
S  
F  
U  
D  
I  
O  
I  
I  
S  
E

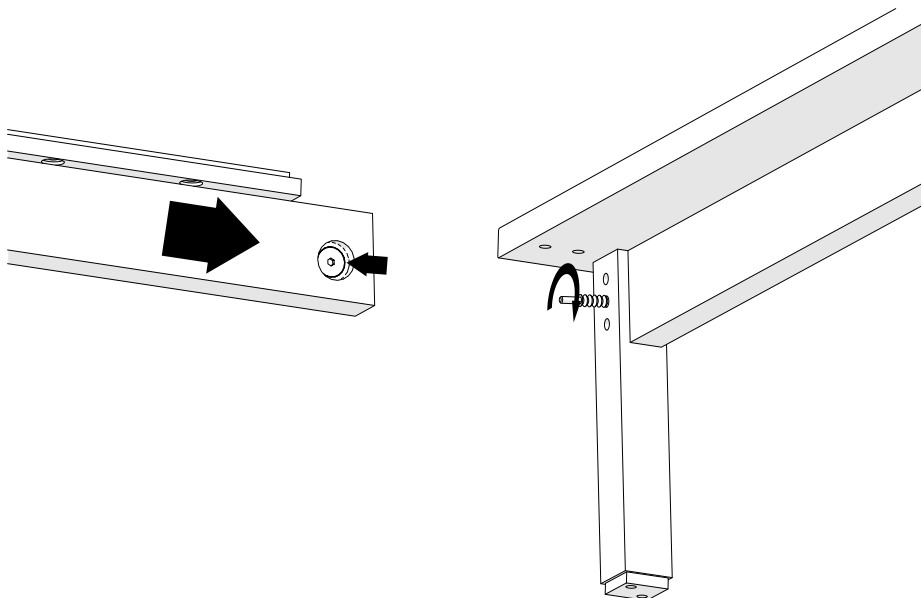
**ASSEMBLY INSTRUCTIONS CONTINUED**  
**COMPANIONS BED**

**2. ATTACH FOOTBOARD**

a) Prepare to attach the footboard by placing it in the correct orientation.



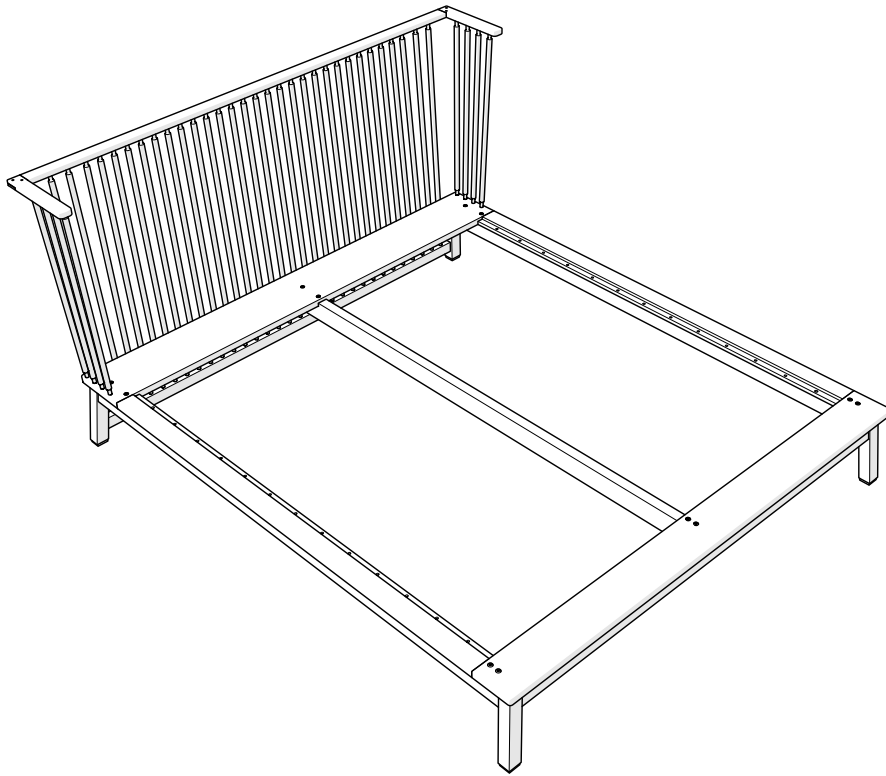
b) Insert a Universal Connector into the rebate in the footboard end of one sidebeam, and place a metal dowel into the corresponding pre-drilled hole in the footboard. Guide the metal dowel into the Universal Connector and tighten firmly with an Allen Key. Repeat this procedure for the second sidebeam.



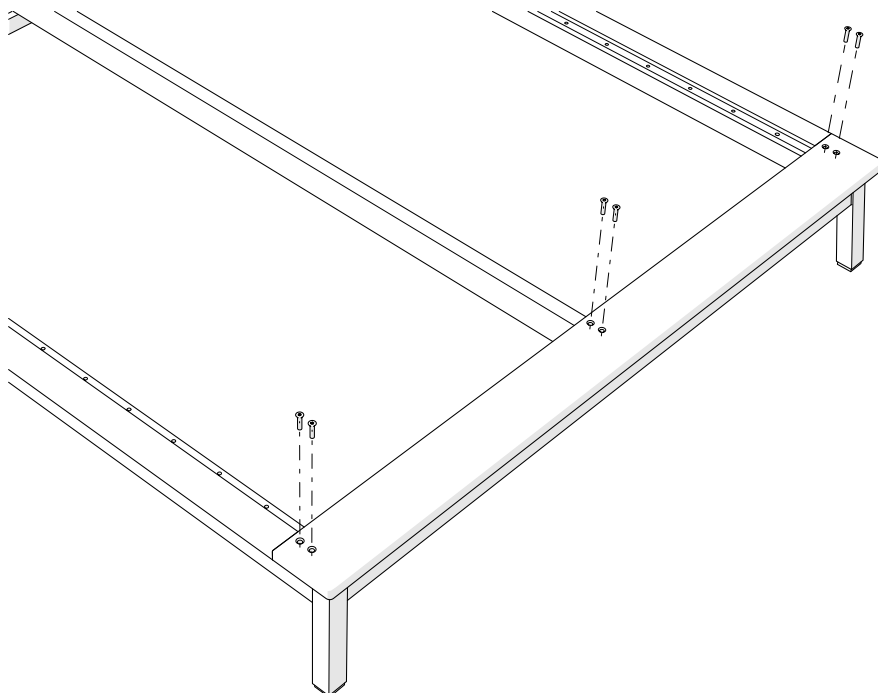
0  
4  
S  
F  
U  
D  
I  
O  
I  
I  
S  
E

**ASSEMBLY INSTRUCTIONS CONTINUED**  
**COMPANIONS BED**

c) The construction should now look like this.



d) Insert 2x M8x30 bolts into the footboard at each connection point and tighten with an Allen Key.



0  
5  
S  
H  
U  
D  
I  
O  
H  
L  
S  
E

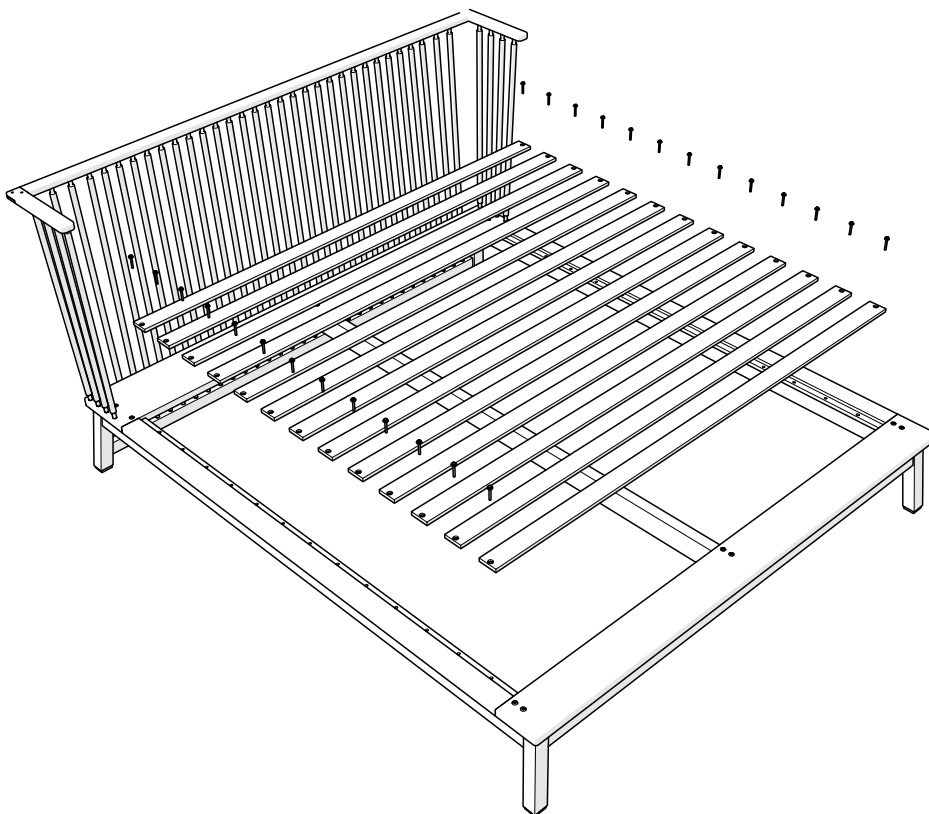
**ASSEMBLY INSTRUCTIONS CONTINUED**

COMPANIONS BED

3. ATTACH THE TIMBER SLATS TO THE PLATFORM BASE

a) Space out the bed slats so they are aligned with the corresponding holes on the timber lip on the inner face of the side beams. The underside of the each slat has a threaded sleeve fixed inside. If the sleeve drops out, there are spares you can use. The top of each slat has a recess for the washer.

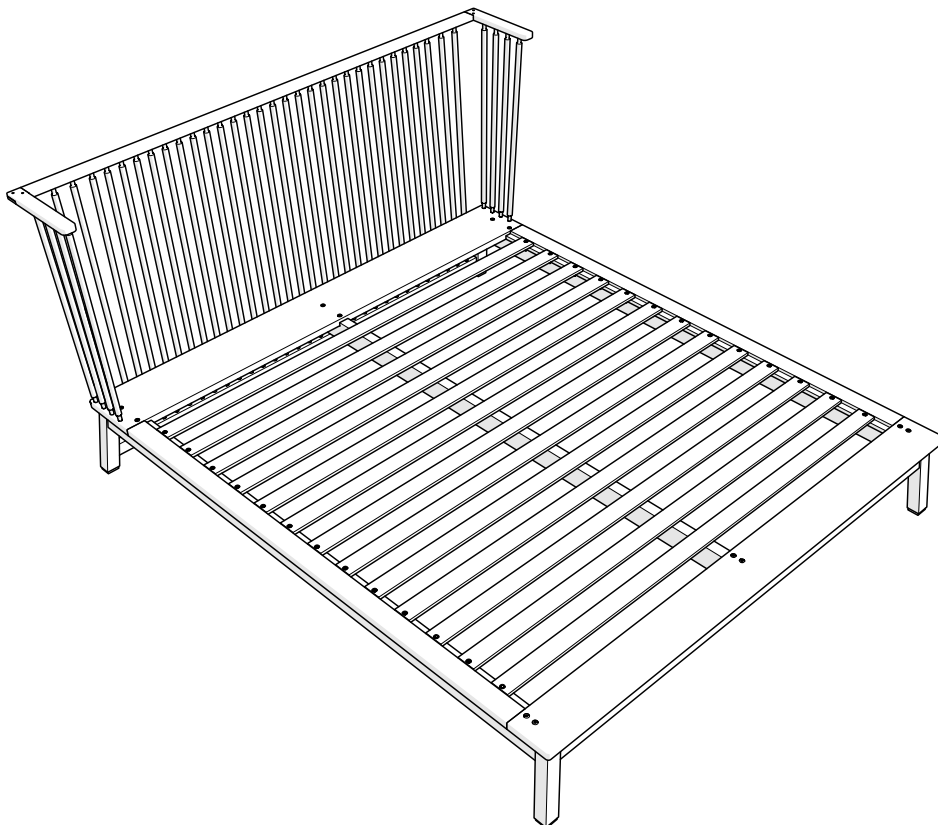
b) Place a washer in the recess of each slat and insert an M5 bolt through the slat and into the sidebeam. Using a cordless drill or socket set, tighten the bolts. Tighten the slats well, so they are not wobbly, but be very careful not to overtighten.



0  
6  
S  
F  
U  
D  
I  
O  
I  
I  
S  
E

**ASSEMBLY INSTRUCTIONS CONTINUED**  
**COMPANIONS BED**

c) The assembly is now complete and the bed is ready to receive a mattress.



0  
7  
S  
F  
U  
D  
I  
O  
I  
I  
S  
E