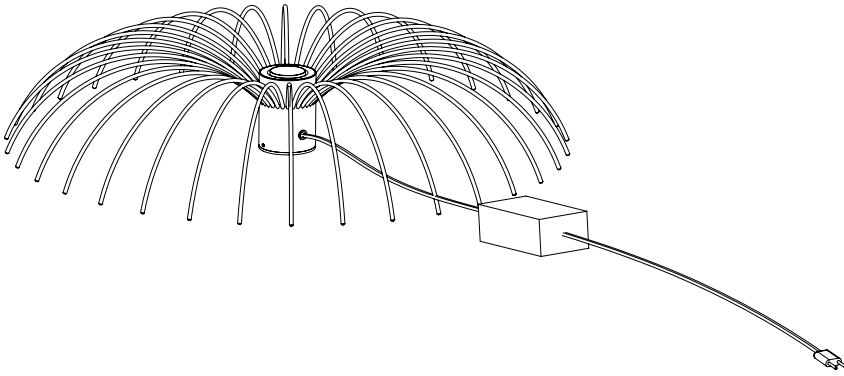


INSTALLATION INSTRUCTIONS

SPIDER BY AUTOBAN



O
1
A
U
T
O
B
A
N

PARTS

- 1x Spider Lamp with dimmer and plug
- 1x Screw
- 1x 2mm Allen Key

YOU WILL NEED

- Electric drill with 8mm drill bit
- Pozi drive 2 bit for drill OR Philips head screwdriver
- A professional electrician
- An E27 bulb (classic halogen or crown mirrored) max 60W
- The help of a friend

NOTES

NOTE 1: The Spider lamp comes with a power cable with a dimmer switch. Should you prefer to hardwire the lamp to your electrics, it is essential for the installation to be performed by a professional electrician. All power must be turned off during installation.

NOTE 2: Your product arrives packed in numerous layers that protect it during transport. It is important that you remove the packaging carefully to avoid damaging your furniture. Refer to our information sheet 'Unpacking Your Furniture' for further details.

NOTE 3: Great care is required when assembling our products as they can mark very easily if banged or dropped. Use blankets to soften the assembly surface.

NOTE 4: We advise that assembly and disassembly is undertaken by a minimum of 2 people and that one person is supporting the lamp body at all times during installation.

NOTE 5: When screwing in bolts, tighten well but be sure NOT TO OVERTIGHTEN.

NOTE 6: The fixing screw should be used with the appropriate rawl plug for your fixing surface.

INSTALLATION INSTRUCTIONS CONTINUED

SPIDER - STANDARD INSTALLATION WITH PLUG

INSTRUCTIONS: USING THE PLUG

1) REMOVE THE ROUND METAL ANCHOR PLATE

a) On the back side of the lamp, you will find a round metal anchor plate closing off the cylinder. Locate the small grub screws on either side of the cylinder. Using a 2mm Allen Key, unscrew the grub screws and remove the round metal anchor plate.

2) ATTACH THE ANCHOR PLATE TO WALL

a) Locate the position on the wall where you would like to attach the lamp. Drill a hole in this location with an 8mm drill.

b) Place the metal anchor plate onto the wall, aligning the hole in the plate with the hole in the wall. Insert the screw then tighten firmly without overtightening.

3) ATTACH THE LAMP TO THE WALL

a) Place the lamp onto the metal anchor plate which is fixed to the wall.

b) One person should hold the lamp in place, while the second person inserts the grub screws into either side of the cylinder and tightens firmly with a 2mm Allen Key.

4) INSERT BULB

a) Screw a bulb into the front of the lamp. Classic or crown mirrored bulb E27, maximum 60W.

5) PLUG IN YOUR LAMP

a) Insert the plug into the appropriate outlet.

b) Your lamp is now ready for use.

0
2
A
U
T
O
B
A
N

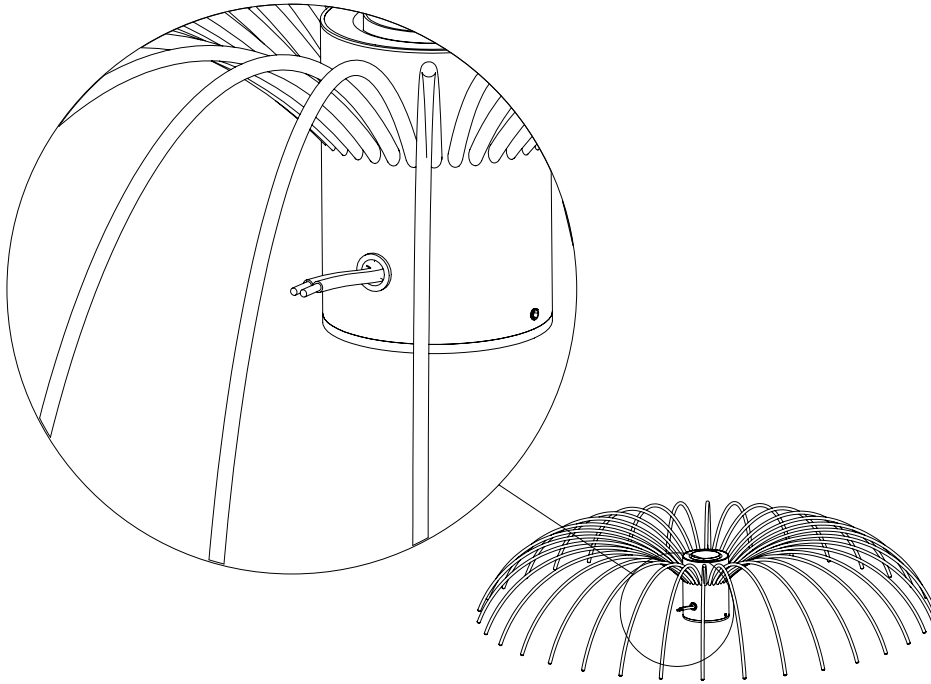
INSTALLATION INSTRUCTIONS CONTINUED
SPIDER - HARDWIRING TO ELECTRICS

INSTRUCTIONS: HARDWIRING TO ELECTRICS

NOTE: It is important that this process is performed by a professional electrician, and that the mains power is disconnected before beginning.

1) CUT THE WIRE

a) Cut the wire so it extends approximately 5cm (2") from the body of the lamp.

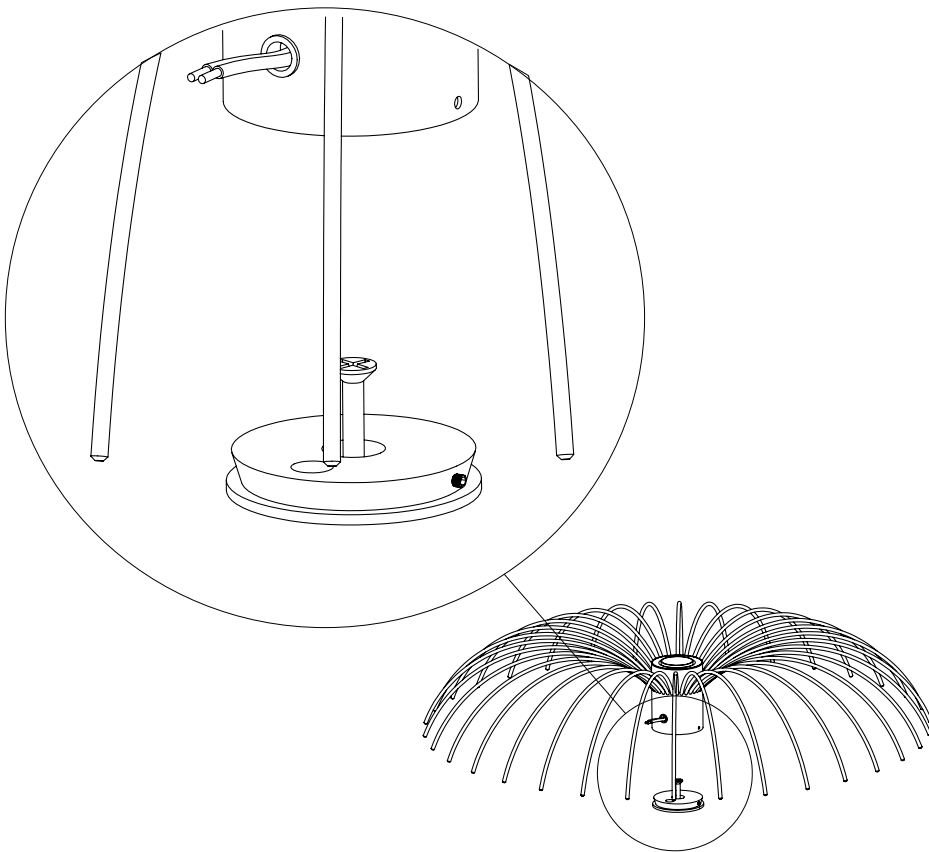


0
3
A
U
T
O
B
A
N

INSTALLATION INSTRUCTIONS CONTINUED
SPIDER - HARDWIRING TO ELECTRICS

2) REMOVE THE ROUND METAL ANCHOR PLATE

a) On the back side of the lamp, you will find a round metal anchor plate closing off the cylinder. Locate the small grub screws on either side of the cylinder. Using a 2mm Allen Key, unscrew the grub screws and remove the round metal anchor plate.



0
4
A
U
T
O
B
A
N

INSTALLATION INSTRUCTIONS CONTINUED
SPIDER - HARDWIRING TO ELECTRICS

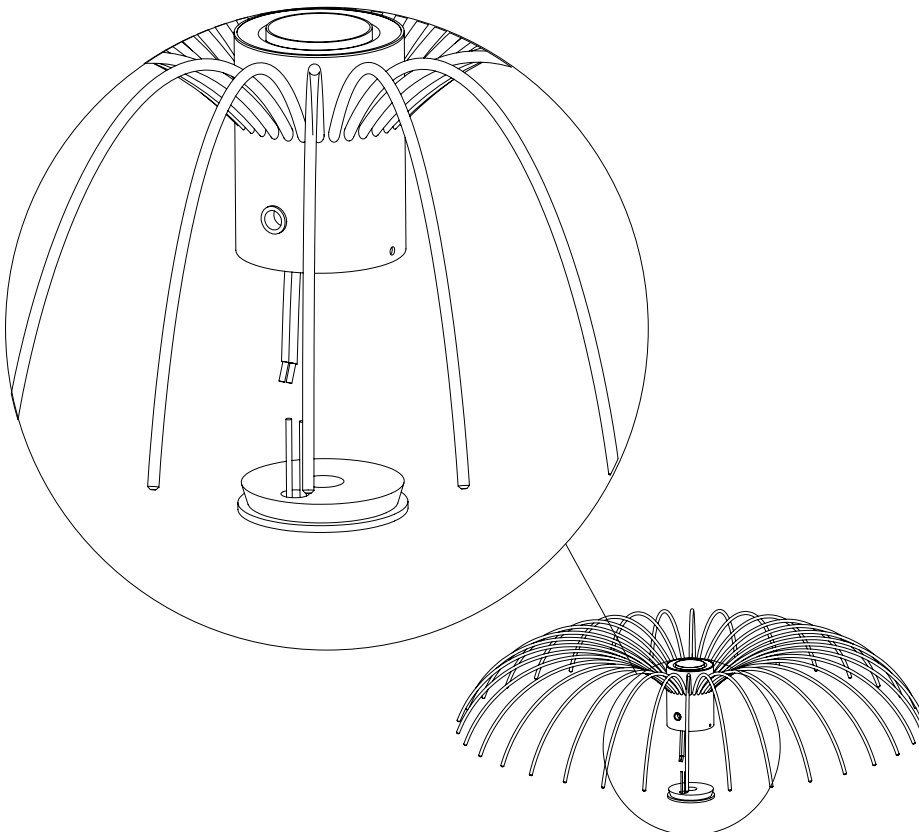
3) ATTACH THE ANCHOR PLATE TO THE WALL OR CEILING

a) Pull the cut wires out through the hole and into the central housing.

NOTE: The fixing hole on the anchor plate is the centre hole. The off-centre hole on the anchor plate is to receive the mains electric cables. You must align your fixing hole and mains cables appropriately.

b) Locate the position on the wall or ceiling where you would like to attach the lamp. Ensure that the mains electric cables are ready in this approximate location. Drill a hole with an 8mm bit in the location where your fixing surface aligns with the centre hole in the anchor plate. BE VERY CAREFUL NOT TO DRILL INTO THE MAINS POWER CABLE.

c) Place the metal anchor plate onto the wall, and feed the electric wires from the wall through the off-centre hole in the anchor plate. The centre hole of the anchor plate should now be aligned with your fixing hole. Insert the screw, then tighten firmly without overtightening.

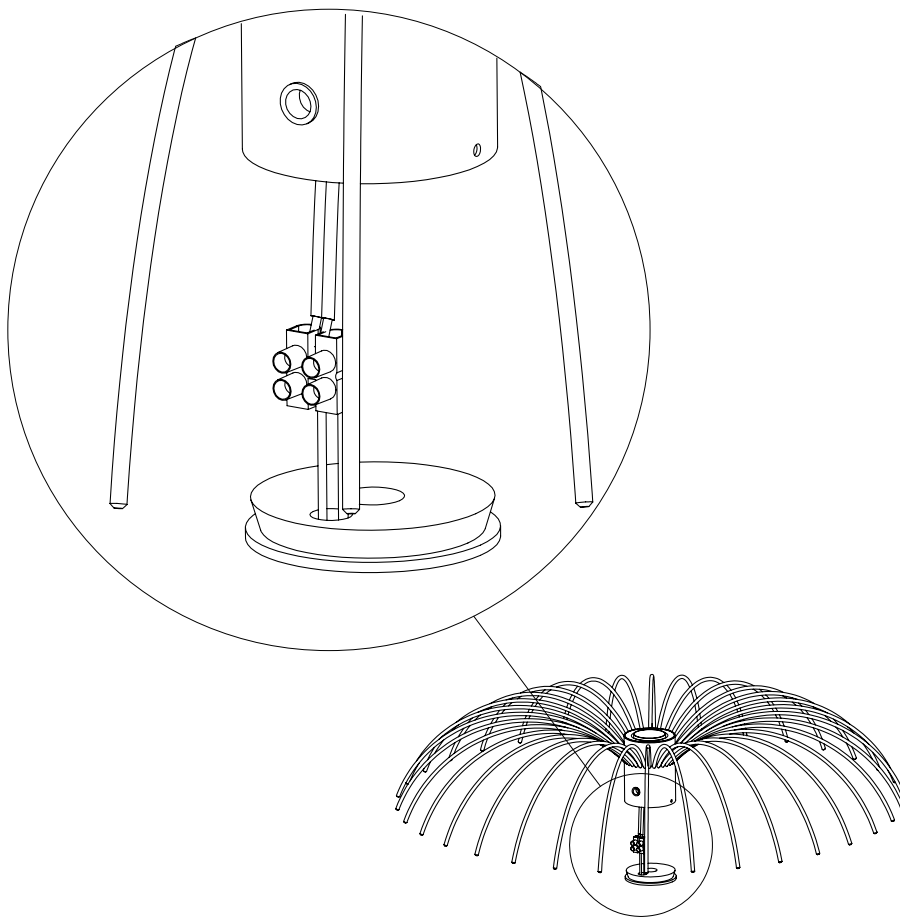


0
5
A
U
T
O
B
A
N

INSTALLATION INSTRUCTIONS CONTINUED
SPIDER - HARDWIRING TO ELECTRICS

4) PERFORM WIRING

a) With one person supporting the lamp body, securely connect the wires, then safely insulate the connection with a connector block and appropriate insulating material.



0

6

A

U

T

O

B

A

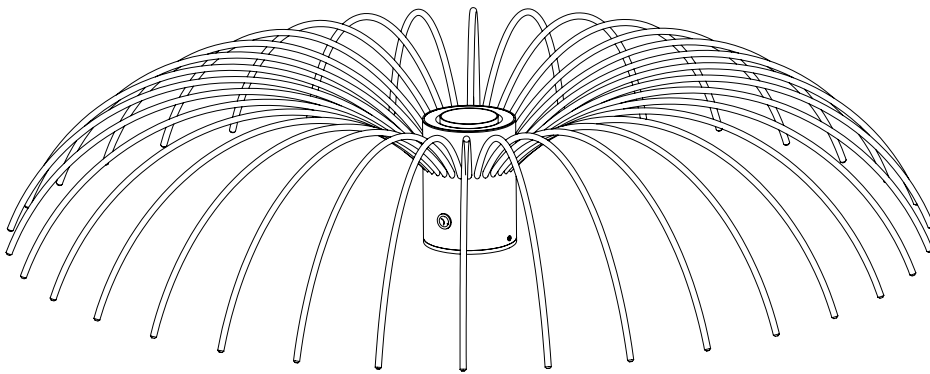
N

INSTALLATION INSTRUCTIONS CONTINUED
SPIDER - HARDWIRING TO ELECTRICS

5) ATTACH THE LAMP TO THE WALL OR CEILING

a) Place the lamp onto the metal anchor plate which is fixed to the wall or ceiling.

b) One person should hold the lamp in place, while the second person inserts the grub screws into either side of the cylinder and tightens firmly with a 2mm Allen Key.



6) INSERT BULB

a) Screw a bulb into the front of the lamp. Classic or crown mirrored bulb E27, maximum 60W.

7) TURN YOUR MAINS POWER BACK ON

a) After turning your mains power back on, your lamp installation is complete and the lamp is ready for use.

0
7
A
U
T
O
B
A
N