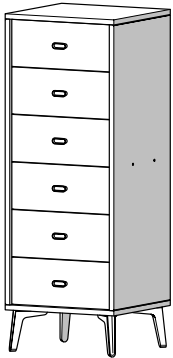


ASSEMBLY INSTRUCTIONS

MCQUEEN CHESTS BY MATTHEW HILTON

These instructions apply to all McQueen chests, with the exception of McQueen Bedside Chest which is shipped fully assembled.



PARTS

- 1x Cabinet body
- 4x Legs
- Drawers - quantity varies per model

HARDWARE

- 12x M8x20 screws



YOU WILL NEED

- 5mm heavy duty Allen Key
- The help of a friend

NOTES

NOTE 1: Be certain that all assembly is carried out on a flat and stable surface. This will ensure a good final result. Reverse the steps to disassemble the piece.

NOTE 2: Your furniture arrives packed in numerous layers that protect it during transport. It is important that you remove the packaging carefully to avoid damaging your furniture. Refer to our information sheet "Unpacking Your Furniture" for further details.

NOTE 3: Great care is required when assembling our products. Use blankets to soften the assembly surface - hard surfaces such as wood or stone flooring may damage the furniture if in direct contact.

NOTE 4: We advise that assembly and disassembly of De La Espada furniture is undertaken by a minimum of 2 people.

NOTE 5: When screwing in bolts, tighten well, but be sure NOT TO OVERTIGHTEN. This can cause the thread to strip thus resulting in a poor connection.

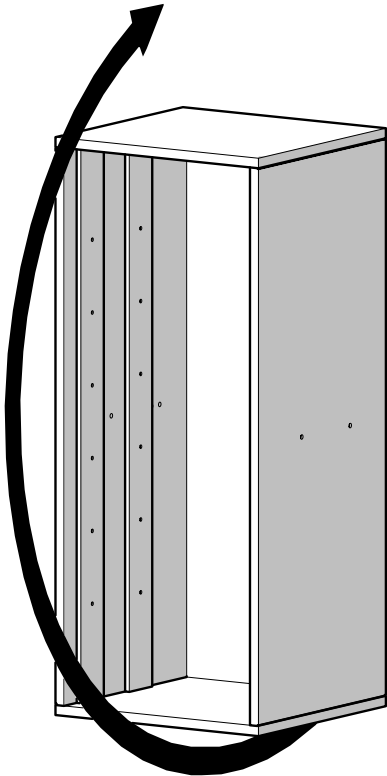
NOTE 6: While you work, be sure all connections are flush with no gaps.

O
1
M
A
T
T
H
E
W
W
H
I
L
T
O
N

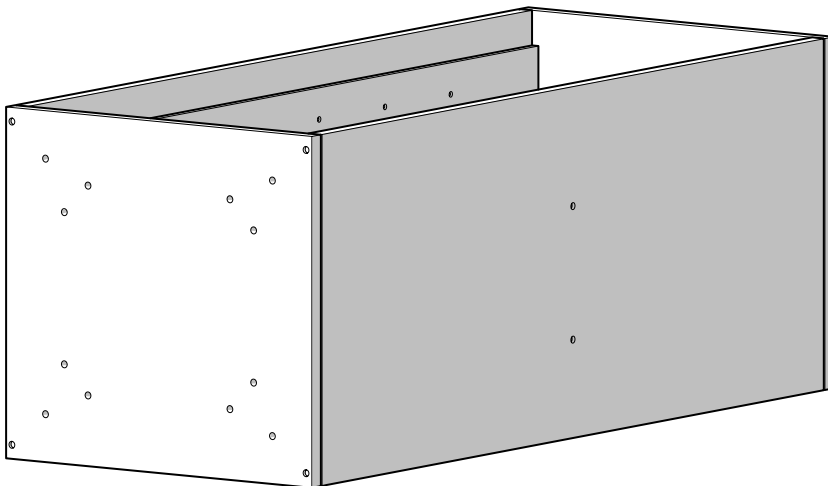
ASSEMBLY INSTRUCTIONS CONTINUED
MCQUEEN CHESTS BY MATTHEW HILTON

1) ATTACH FEET

a) Place the cabinet body onto a softened surface on the floor with its back down.



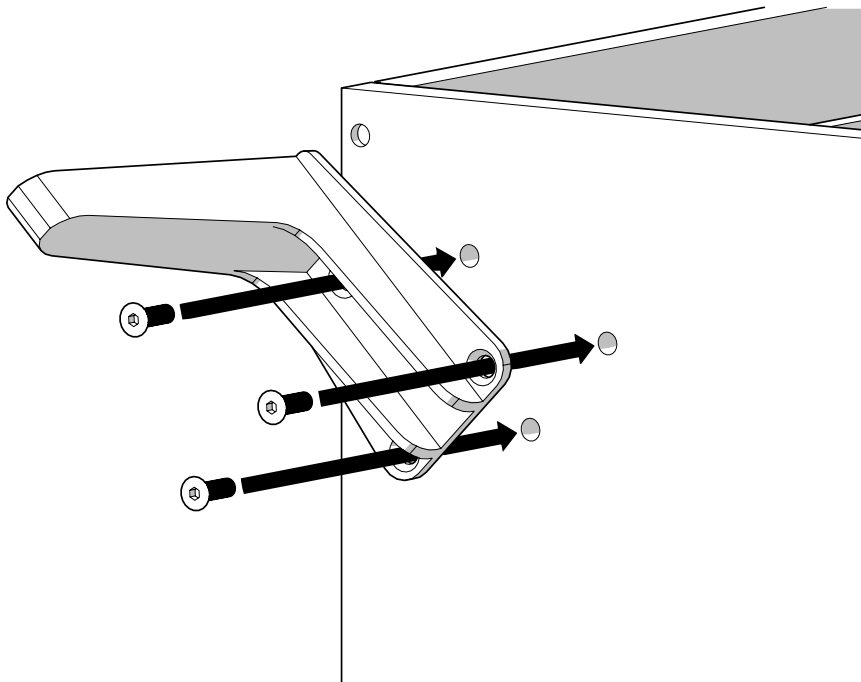
b) Locate the pre-drilled holes on the underside of the cabinet body.



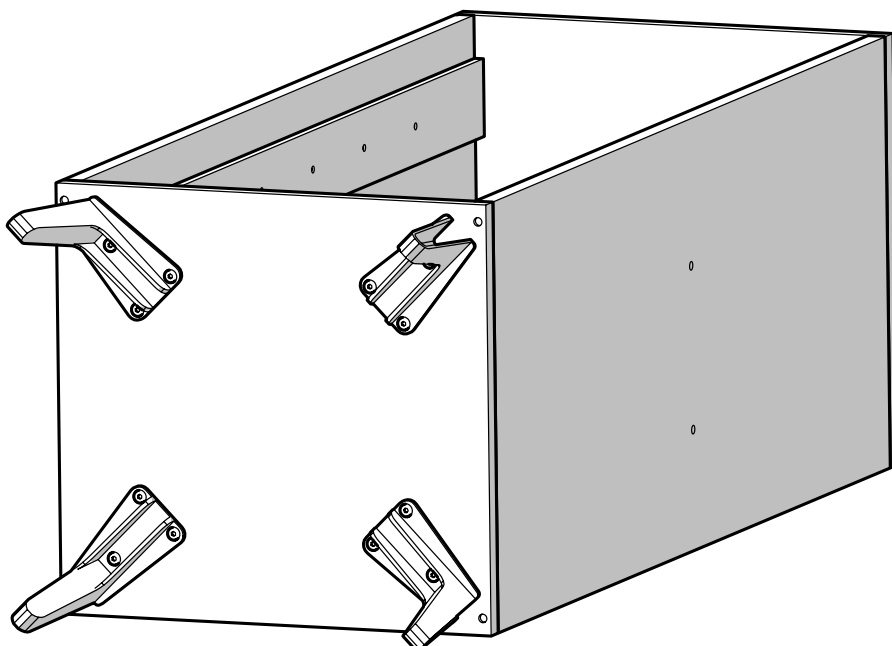
0
2
M
A
T
T
H
E
W
H
I
L
T
O
N

ASSEMBLY INSTRUCTIONS CONTINUED
MCQUEEN CHESTS BY MATTHEW HILTON

c) Place one of the feet against the bottom of the cabinet body, aligning the holes in each component. Insert an M8x20 screw into each hole and tighten firmly with a 5mm Allen Key. Be careful not to overtighten. Repeat for each foot until complete.



d) The assembly should now look like this.

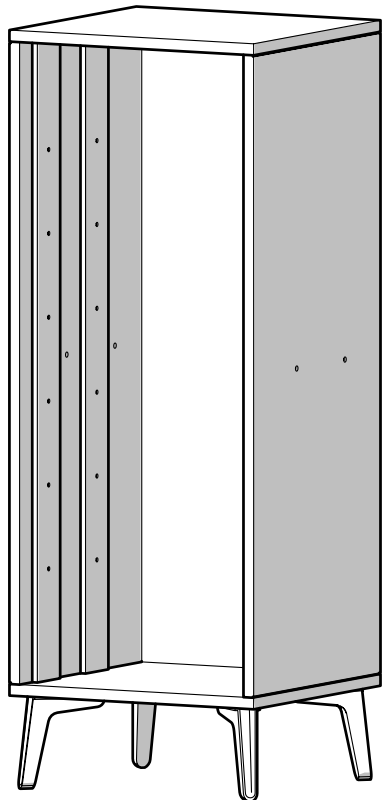
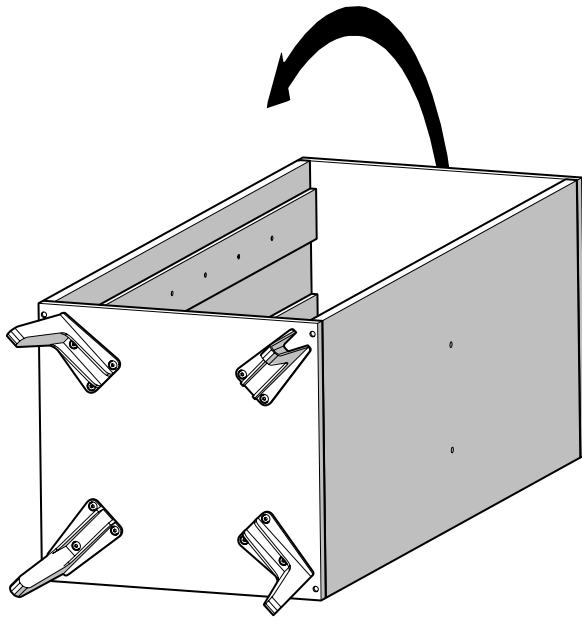


0
3
M
A
T
T
H
E
W
H
I
L
T
O
N

ASSEMBLY INSTRUCTIONS CONTINUED
MCQUEEN CHESTS BY MATTHEW HILTON

2) TURN THE CABINET INTO AN UPRIGHT POSITON

a) With the help of a friend, turn the cabinet so it is in a natural upright position. Be careful to avoid allowing the cabinet to rest on one or two legs while turning as this may damage the connection.



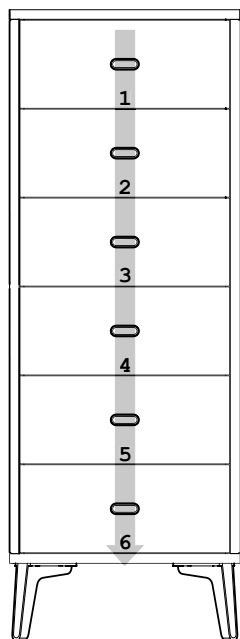
0
4
M
A
T
T
H
E
W
H
I
L
T
O
N

ASSEMBLY INSTRUCTIONS CONTINUED
MCQUEEN CHESTS BY MATTHEW HILTON

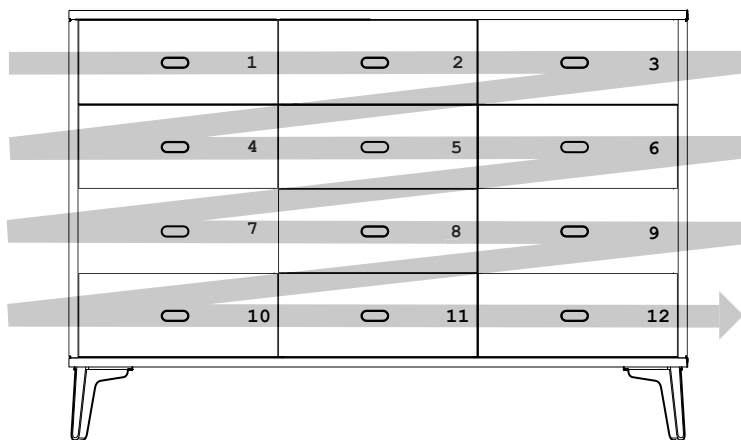
3) INSERT THE DRAWERS

NOTE: You will ensure the best fit by making sure all drawers are placed in the correct position within the cabinet. Each drawer has a number embossed on the bottom. Please refer to the below drawings to understand the number order within the cabinets.

Single column chests are numbered from top to bottom.



Multiple column chests are numbered left to right, top to bottom.



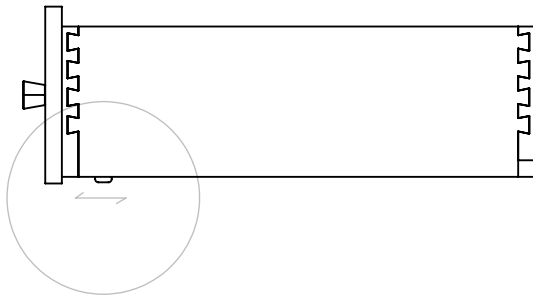
a) To install each drawer, locate the orange release clips on the base of the drawer, and pull them toward the front of the drawer while inserting the drawer into the cabinet. Once the drawer is halfway in, release your hands from the clips, and push the drawer closed.

0
5
M
A
T
T
H
E
W
H
I
L
T
O
N

ASSEMBLY INSTRUCTIONS CONTINUED
MCQUEEN CHESTS BY MATTHEW HILTON

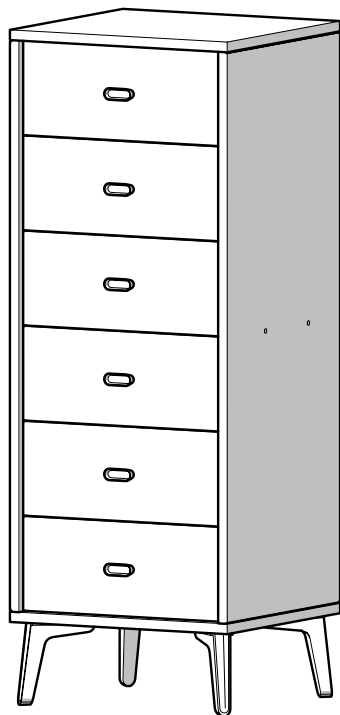
4) ADJUST DRAWERS AS REQUIRED

a) Check that the gaps between the drawers are even. If required, adjust them as follows. Pull out the drawer just far enough to access the small grey plastic locking clips on the rails underneath. These clips are located on the far left and far right just near the drawer front. You can move this locking clip forward or backward until you achieve the desired spacing between the drawers. Close the drawer after each adjustment to check the spacing. In most cases, you will achieve best results by leaving the clip centred.



b) Repeat the above procedure on as many drawers as necessary, until the desired result is achieved.

5) The assembly is now complete and the chest is ready for use.



0
6
M
A
T
T
H
E
W
H
I
L
T
O
N